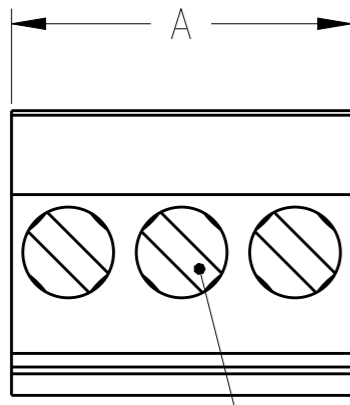


THIS DRAWING IS UNPUBLISHED. RELEASED FOR PUBLICATION 20
 © COPYRIGHT 20 BY - ALL RIGHTS RESERVED.

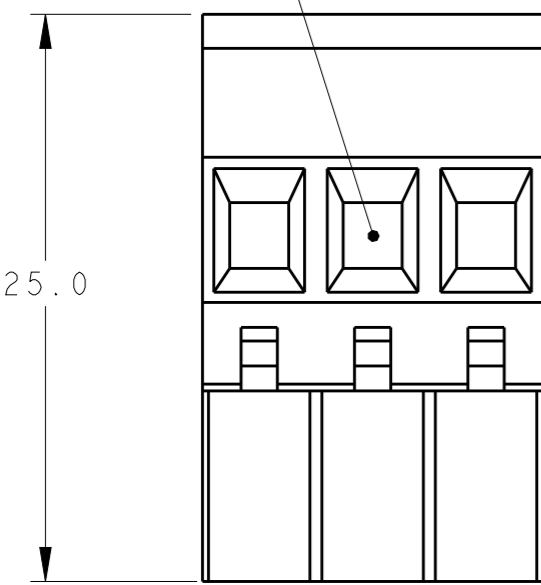
REVISIONS				
P	LTR	DESCRIPTION	DATE	APVD
	A2	REVISED PER ECO-13-017507	08NOV2013	KH MB



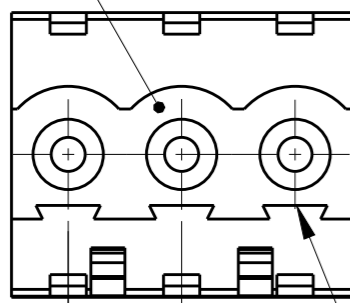
- 1 MATERIALS AND FINISH
 HOUSING: PA 6-6, UL 94-V0, COLOR: BLACK.
 CLAMP: BRASS, NICKEL PLATED.
 CONTACT SPRING : PHOSPHOR BRONZE, TIN PLATED.
 CLAMPING SCREW: M3, BRASS, NICKEL PLATED.
- 2. WIRE SIZE RANGE: 12 - 30 AWG
- 3 NOT CUMULATIVE TOLERANCE.
- 4 INK MARKING: WHITE COLOR
 NUMERICAL SEQUENCE: FROM LEFT TO RIGHT.
- 5 MECHANICAL CHARACTERISTICS:
 INSERTION FORCE: MAX 3N PER POLE
 WITHDRAWL FORCE: MIN 1.5N PER POLE
- 6 ELECTRICAL CHARACTERISTICS:
 LISTED UNDER UL E60677
 VOLTAGE RATING: 300 VOLTS (MAX)
 AMPERAGE RATING: 15 AMPS (MAX)

CLAMPING SCREW

WIRE ENTRY



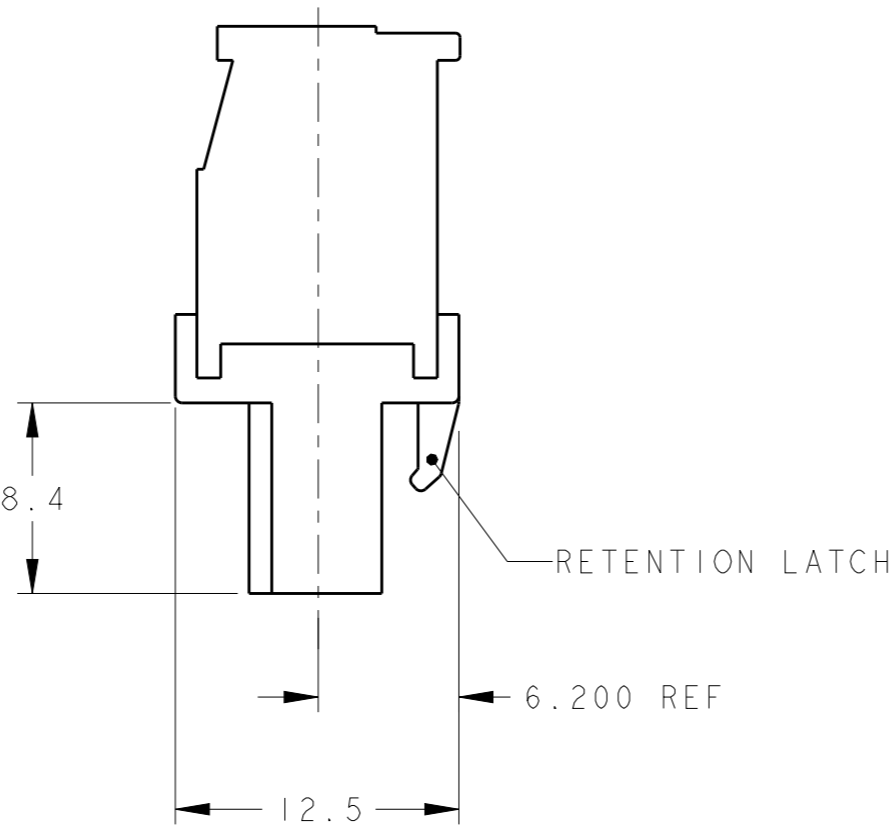
MATING FACE



2.5 REF TYP

POLARIZATION KEY SLOT

5.00±0.05 TYP






RETENTION LATCH

6.200 REF

12.5

SEE DETAIL N	30	6	3-1546118-6
SEE DETAIL M	110	22	3-1546118-2
-	125	25	2-1546118-5
-	120	24	2-1546118-4
-	115	23	2-1546118-3
-	110	22	2-1546118-2
-	105	21	2-1546118-1
-	100	20	2-1546118-0
-	95	19	1-1546118-9
-	90	18	1-1546118-8
-	85	17	1-1546118-7
-	80	16	1-1546118-6
-	75	15	1-1546118-5
-	70	14	1-1546118-4
-	65	13	1-1546118-3
-	60	12	1-1546118-2
-	55	11	1-1546118-1
-	50	10	1-1546118-0
-	45	9	1546118-9
-	40	8	1546118-8
-	35	7	1546118-7
-	30	6	1546118-6
-	25	5	1546118-5
-	20	4	1546118-4
-	15	3	1546118-3
-	10	2	1546118-2

MARKING A NO OF POSN PART NUMBER

THIS DRAWING IS A CONTROLLED DOCUMENT.		DWN S. WELDON 26AUG2002	 TE Connectivity
DIMENSIONS: mm		CHK C. RICHARD 26AUG2002	
TOLERANCES UNLESS OTHERWISE SPECIFIED:		APVD C. RICHARD 26AUG2002	
0 PLC ±- 1 PLC ±.3 2 PLC ±.25 3 PLC ±- 4 PLC ±- ANGLES ±2		NAME	
MATERIAL		PRODUCT SPEC	TERMINAL BLOCK VERTICAL PLUG STACKING LEFT HAND 5.0mm PITCH
FINISH		APPLICATION SPEC	SIZE CAGE CODE DRAWING NO RESTRICTED TO
		WEIGHT	A300779 C-1546118
		CUSTOMER DRAWING	SCALE 3:1 SHEET 1 OF 2 REV A2

THIS DRAWING IS UNPUBLISHED.

RELEASED FOR PUBLICATION

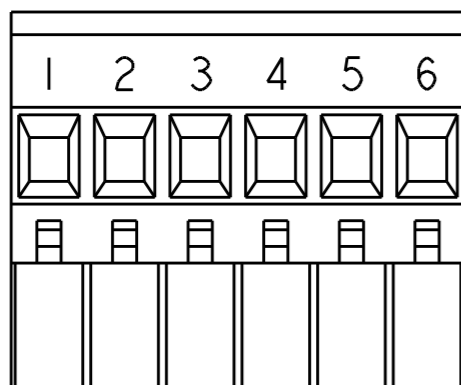
20

© COPYRIGHT 20 BY -

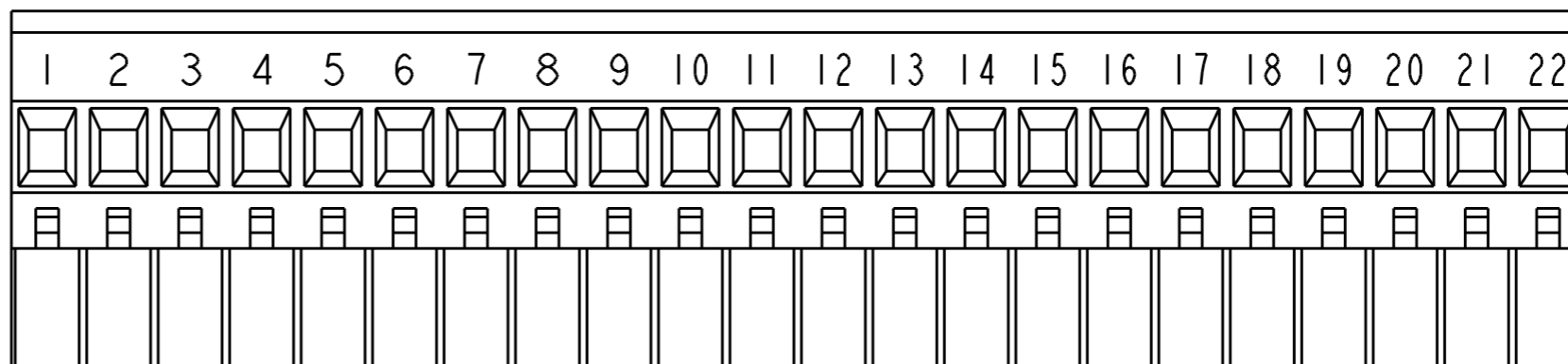
ALL RIGHTS RESERVED.

REVISIONS

P	LTR	DESCRIPTION	DATE	DWN	APVD
-		SEE SHEET 1	-	-	-




DETAIL N
SCALE 2:1 




DETAIL M
SCALE 2:1 

THIS DRAWING IS A CONTROLLED DOCUMENT.

DIMENSIONS: mm	TOLERANCES UNLESS OTHERWISE SPECIFIED:
	0 PLC ±-
	1 PLC ±.3
	2 PLC ±.25
	3 PLC ±-
	4 PLC ±-
	ANGLES ±2
MATERIAL	FINISH
-	-
-	-

DWN	S. WELDON	26AUG2002
CHK	C. RICHARD	26AUG2002
APVD	C. RICHARD	26AUG2002
PRODUCT SPEC	-	
APPLICATION SPEC	-	
WEIGHT	-	
CUSTOMER DRAWING		

 TE Connectivity			
NAME TERMINAL BLOCK VERTICAL PLUG STACKING LEFT HAND 5.0mm PITCH			
SIZE	CAGE CODE	DRAWING NO	RESTRICTED TO
A3	00779	C-1546118	-
SCALE 3:1		SHEET 2 OF 2	REV A2