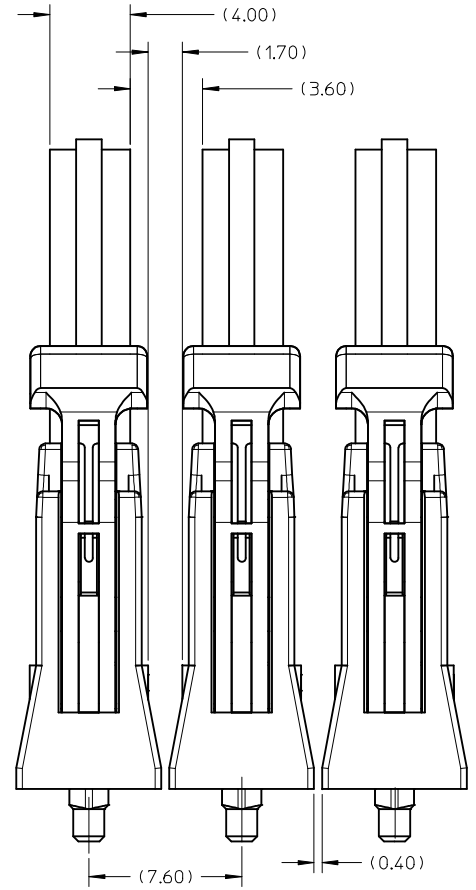
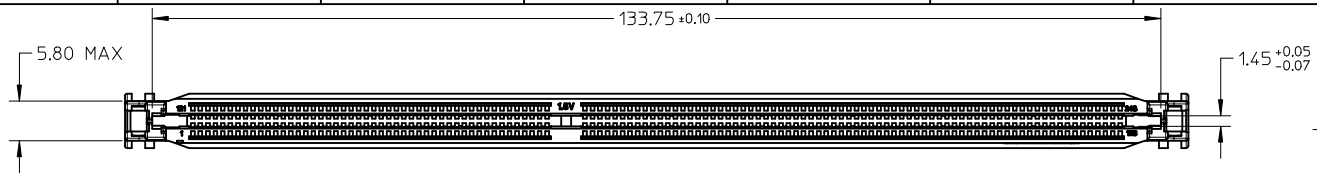


NOTES:

1. MATERIAL:  
HOUSING - POLYAMIDE (PA) GLASS FILLED, UL 94V-0, COLOR - SEE TABLE  
LATCH - POLYAMIDE (PA) GLASS FILLED, UL 04V-0, COLOR - SEE TABLE  
TERMINAL - COPPER ALLOY
  2. FINISHES: TERMINAL PLATING SEE TABLE ON SHEET 5
  3. PRODUCT SPECIFICATION: PS-78556-001
  4. PACKAGING SPECIFICATION: PRODUCT SHALL BE PACKED IN TRAYS
  5. CARD SLOT ACCEPTS 1.27±/-0.10MM MODULE THICKNESS (MEASURED FROM PC PADS)
- 6 MOLEX LOGO, DATE & PART NUMBERS INDICATED ON HOUSING  
 7 MODULE SEATING PLANE FROM TOP OF PCB  
 8 KEEP OUT ZONE RESERVED FOR LATCH

AMEND PCB DIM EC NO: S2013-0772 DRWN: CCTEH 2012/11/19 CHKD: CGTAN 2013/06/03 APPR: SHLENI 2013/06/03	DESCRIPTION QUALITY SYMBOLS $F_A=0$ $F_E=0$ $F_F=0$	GENERAL TOLERANCES (UNLESS SPECIFIED)		DIMENSION STYLE	SCALE	DESIGN UNITS	THIRD ANGLE PROJECTION	
				MM ONLY	NTS	METRIC		
				DRAWN BY	DATE	TITLE		
				CCTEH	2011/04/26	1MM DDR3 LSP ST. LATCH 240CKTS VERT. PF LLLCR		
		CHECKED BY		DATE				
		CGTAN		2011/06/22				
		APPROVED BY		DATE				
		SHLENI		2011/06/29				
		MATERIAL NO.		DOCUMENT NO.		SHEET NO.		
		SEE TABLE		SD-78556-002		1 OF 5		
		SIZE		THIS DRAWING CONTAINS INFORMATION THAT IS PROPRIETARY TO MOLEX INCORPORATED AND SHOULD NOT BE USED WITHOUT WRITTEN PERMISSION				
		A3						

10 9 8 7 6 5 4 3 2 1

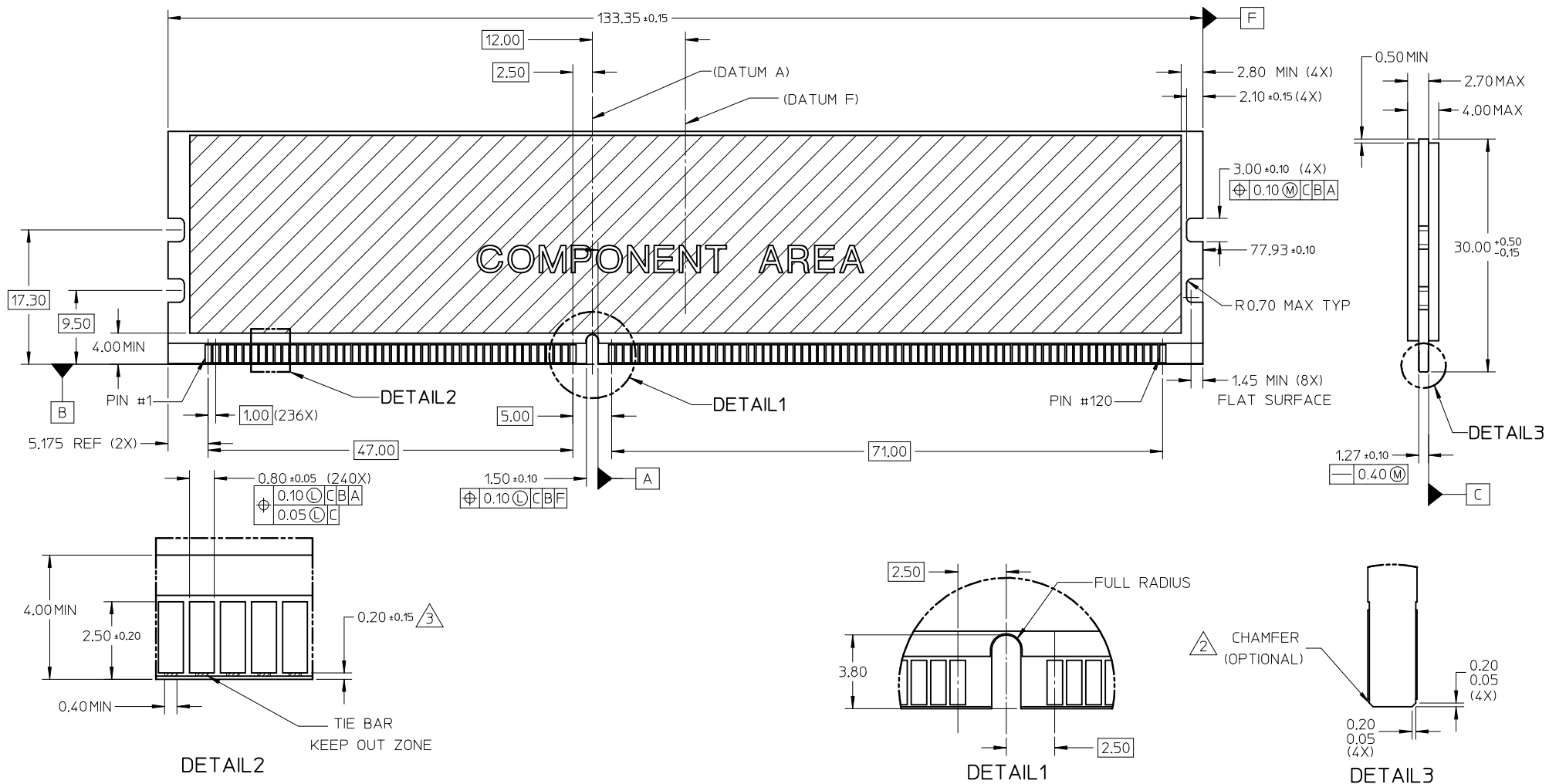


MINIMUM ROW TO ROW SPACING RECOMMENDATION  
(USING 4.00MM MODULE CARD)

AMEND PCB DIM EC NO: S2013-0772 DRWN: CCTEH 2012/11/19 CHKD: CGTAN 2013/06/03 APPR: SHLENI 2013/06/03	DESCRIPTION REV	QUALITY SYMBOLS	GENERAL TOLERANCES (UNLESS SPECIFIED)	DIMENSION STYLE	SCALE	DESIGN UNITS	THIRD ANGLE PROJECTION
		$\nabla_A = 0$ $\nabla_G = 0$ $\nabla_F = 0$	mm    INCH 4 PLACES ± --- ± --- 3 PLACES ± --- ± --- 2 PLACES ± 0.20 ± --- 1 PLACE ± --- ± --- 0 PLACE ±     ±	MM ONLY DRAWN BY: CCTEH    DATE: 2011/04/26 CHECKED BY: CGTAN    DATE: 2011/06/22 APPROVED BY: SHLENI    DATE: 2011/06/29	NTS METRIC	TITLE 1MM DDR3 LSP ST. LATCH 240CKTS VERT. PF LLLCR	molex
2		ANGULAR ± 1 ° DRAFT WHERE APPLICABLE MUST REMAIN WITHIN DIMENSIONS	SEE TABLE	MATERIAL NO. SD-78556-002	THIS DRAWING CONTAINS INFORMATION THAT IS PROPRIETARY TO MOLEX INCORPORATED AND SHOULD NOT BE USED WITHOUT WRITTEN PERMISSION		

9 8 7 6 5 4 3 2 1

MODULE CARD  
 DDR3 DUAL IN-LINE MEMORY MODULE FAMILY 1.00MM CONTACT CENTERS  
 (JEDEC MO-269, ISSUE B, MAY 06)



- NOTES:
- RECOMMENDED PLATING FOR CONTACT PADS:  
 PREFERRED: 0.76 MICROMETERS GOLD PLATING MIN OVER 2.00 MICROMETERS NICKEL  
 ALTERNATIVE: 0.05-0.75 MICROMETERS GOLD PLATING OVER 2.00 MICROMETERS NICKEL MUST USE AN ELECTRONIC CONTACT GRADE CORROSIVE BARRIER LUBRICANT
  - CHAMFER IS OPTIONAL AND IS NOT TO HIT THE GOLD PADS
  - LEADING EDGE OF GOLD PADS SPECIFIED BY KEEPOUT ZONE SHALL BE FREE OF BURRS AND EXTERNAL TIE BARS.

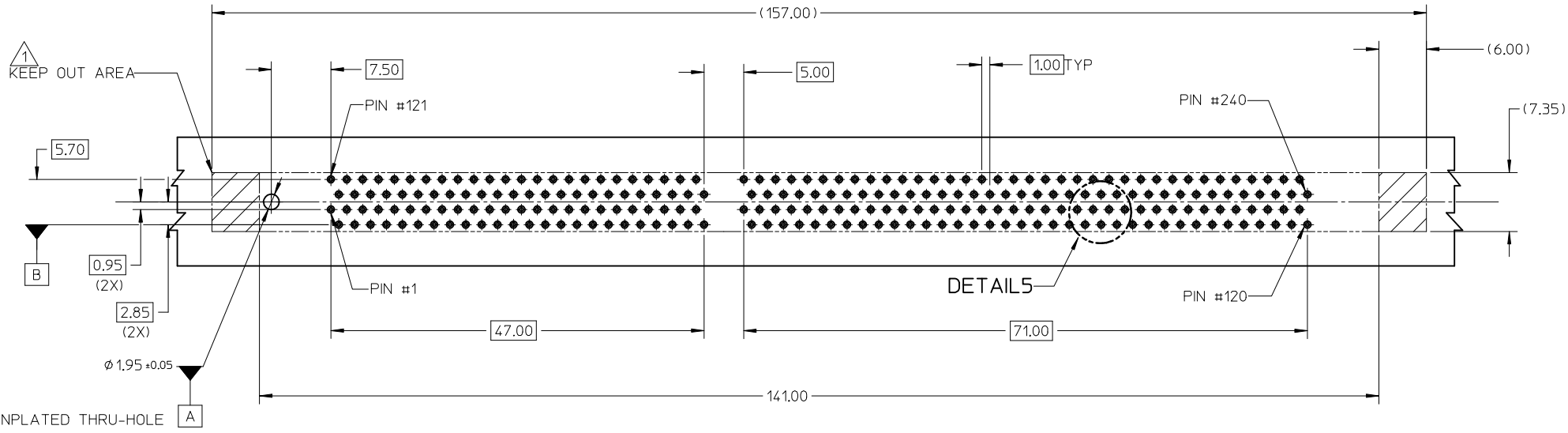
AMEND PCB DIM	2012/11/19	QUALITY SYMBOLS
IEC NO: S2013-0772	2013/06/03	$F_A=0$
DRWN: CCTEH	2013/06/03	$F_B=0$
CHKD: CGTAN		$F_C=0$
APPR: SHLENI	2013/06/03	
REV	DESCRIPTION	
2		

GENERAL TOLERANCES (UNLESS SPECIFIED)	
	mm INCH
4 PLACES	± --- ± ---
3 PLACES	± --- ± ---
2 PLACES	± 0.20 ± ---
1 PLACE	± --- ± ---
0 PLACE	± ±
ANGULAR ± 1 °	
DRAFT WHERE APPLICABLE MUST REMAIN WITHIN DIMENSIONS	

DIMENSION STYLE MM ONLY	
DRAWN BY	DATE
CCTEH	2011/04/26
CHECKED BY	DATE
CGTAN	2011/06/22
APPROVED BY	DATE
SHLENI	2011/06/29
MATERIAL NO.	
SEE TABLE	
SIZE	
A3	

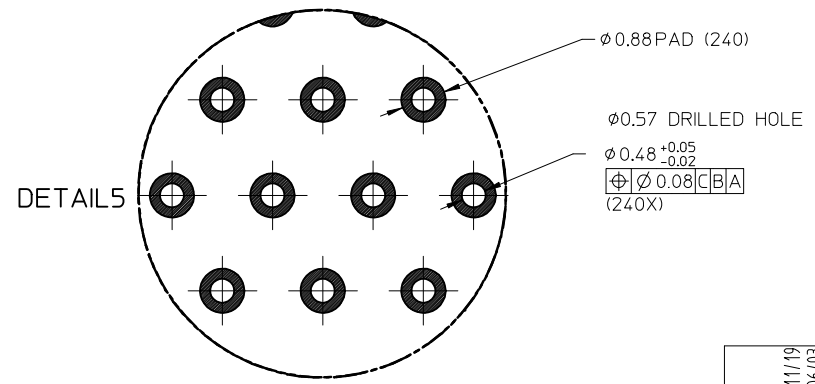
SCALE	DESIGN UNITS	THIRD ANGLE PROJECTION
NTS	METRIC	$\odot$ $\square$
TITLE		
1MM DDR3 LSP ST. LATCH 240CKTS VERT. PF LLLCR		
<b>molex</b>		
DOCUMENT NO.	SHEET NO.	
SD-78556-002	3 OF 5	
THIS DRAWING CONTAINS INFORMATION THAT IS PROPRIETARY TO MOLEX INCORPORATED AND SHOULD NOT BE USED WITHOUT WRITTEN PERMISSION		

10 9 8 7 6 5 4 3 2 1



UNPLATED THRU-HOLE A

C



CUTAWAY1

NOTES:  
 1. KEEP-OUT AREA IS THE AREA WHERE THE CONNECTOR (INCLUDING LATCH) IS MOUNTED ON THE PCB

AMEND PCB DIM EC NO: S2013-0772 DRW: CCTEH 2012/11/19 CHKD: CGTAN 2013/06/03 APPR: SHLENI 2013/06/03	QUALITY SYMBOLS $F_A=0$ $F_G=0$ $F_P=0$	GENERAL TOLERANCES (UNLESS SPECIFIED)		DIMENSION STYLE MM ONLY		SCALE NTS	DESIGN UNITS METRIC	THIRD ANGLE PROJECTION		
		4 PLACES ± --- ± --- 3 PLACES ± --- ± --- 2 PLACES ± 0.20 ± --- 1 PLACE ± --- ± --- 0 PLACE ± ±	mm INCH	DRAWN BY CCTEH	DATE 2011/04/26	TITLE 1MM DDR3 LSP ST. LATCH 240CKTS VERT. PF LLLCR				
		ANGULAR ± 1 °	DRAFT WHERE APPLICABLE MUST REMAIN WITHIN DIMENSIONS		CHECKED BY CGTAN	DATE 2011/06/22	APPROVED BY SHLENI			
	2	REV DESCRIPTION	MATERIAL NO. SEE TABLE		DATE 2011/06/29		DOCUMENT NO. SD-78556-002		SHEET NO. 4 OF 5	

THIS DRAWING CONTAINS INFORMATION THAT IS PROPRIETARY TO MOLEX INCORPORATED AND SHOULD NOT BE USED WITHOUT WRITTEN PERMISSION

9 8 7 6 5 4 3 2 1

PART NO.	KEY POS.	RECOMMENDED PCB THICKNESS	PLATING OPTION		LATCH COLOUR	HOUSING COLOUR
			CONTACT AREA	TAIL AREA		
78556-5001	CENTER (1.5V)	3.00	0.76 MICROMETER/ 30 MICROINCH MIN. GOLD OVER 1.27 MICROMETER/ 50 MICROINCH MIN. NICKEL UNDERPLATE	0.38 TO 1.52 MICROMETER/15 TO 60 MICROINCH MIN TIN (MATT) OVER 1.27 MICROMETER/ 50 MICROINCH MIN. NICKEL UNDERPLATE	BLACK	BLACK
78556-5051					BLUE	BLUE
78556-5061					NATURAL	NATURAL

<b>AMEND PCB DIM</b> EC NO: S2013-0772 DRWN: CTEH 2012/11/19 CHKD: CGTAN 2013/06/03 APPR: SHLENI 2013/06/03	QUALITY SYMBOLS $F_A=0$ $F_G=0$ $F_P=0$	GENERAL TOLERANCES (UNLESS SPECIFIED)		DIMENSION STYLE	SCALE	DESIGN UNITS	THIRD ANGLE PROJECTION	
				MM ONLY	NTS	METRIC		
				DRAWN BY	DATE	TITLE		
				CCTEH	2011/04/26	1MM DDR3 LSP ST. LATCH 240CKTS VERT. PF LLLCR		
		CHECKED BY	DATE	MATERIAL NO.			SHEET NO.	
		CGTAN	2011/06/22	SD-78556-002			5 OF 5	
		APPROVED BY	DATE	DOCUMENT NO.				
		SHLENI	2011/06/29	SEE TABLE				
		ANGULAR $\pm 1^\circ$		THIS DRAWING CONTAINS INFORMATION THAT IS PROPRIETARY TO MOLEX INCORPORATED AND SHOULD NOT BE USED WITHOUT WRITTEN PERMISSION				
		DRAFT WHERE APPLICABLE MUST REMAIN WITHIN DIMENSIONS		SIZE				
				A3				