



RF360
Europe GmbH

Data sheet

SAW RF filter
Short range devices

| | |
|----------------|-----------------|
| Series/type: | B3725 |
| Ordering code: | B39871B3725U410 |
| Date: | March 23, 2019 |
| Version: | 2.5 |

RF360 products mentioned within this document are products of RF360 Europe GmbH and other subsidiaries of RF360 Holdings Singapore Pte. Ltd. (collectively, the "RF360 Subsidiaries").

RF360 Europe GmbH, Anzinger Str. 13, München, Germany

© 2019 RF360 Europe GmbH and/or its affiliated companies. All rights reserved.

These materials, including the information contained herein, may be used only for informational purposes by the customer. The RF360 Subsidiaries assume no responsibility for errors or omissions in these materials or the information contained herein. The RF360 Subsidiaries reserve the right to make changes to the product(s) or information contained herein without notice. The materials and information are provided on an AS IS basis, and the RF360 Subsidiaries assume no liability and make no warranty or representation, either expressed or implied, with respect to the materials, or any output or results based on the use, application, or evaluation of such materials, including, without limitation, with respect to the non-infringement of trademarks, patents, copyrights or any other intellectual property rights or other rights of third parties.

No use of this documentation or any information contained herein grants any license, whether express, implied, by estoppel or otherwise, to any intellectual property rights, including, without limitation, to any patents owned by QUALCOMM Incorporated or any of its subsidiaries.

Not to be used, copied, reproduced, or modified in whole or in part, nor its contents revealed in any manner to others without the express written permission of RF360 Europe GmbH.

Qualcomm is a trademark of Qualcomm Incorporated, registered in the United States and other countries. Other product and brand names may be trademarks or registered trademarks of their respective owners.

This technical data may be subject to U.S. and international export, re-export, or transfer ("export") laws. Diversion contrary to U.S. and international law is strictly prohibited.



RF360 Europe GmbH
A Qualcomm – TDK Joint Venture

Data sheet

SAW RF filter
Short range devices

Series/type: B3725
Ordering code: B39871B3725U410

Date: March 23, 2019
Version: 2.5

RF360 products mentioned within this document are products of RF360 Europe GmbH and other subsidiaries of RF360 Holdings Singapore Pte. Ltd. (collectively, the "RF360 Subsidiaries").

RF360 Holdings Singapore Pte. Ltd. is a joint venture of Qualcomm Global Trading Pte. Ltd. and EPCOS AG.

RF360 Europe GmbH, Anzinger Str. 13, München, Germany

© 2019 RF360 Europe GmbH and/or its affiliated companies. All rights reserved.

These materials, including the information contained herein, may be used only for informational purposes by the customer. The RF360 Subsidiaries assume no responsibility for errors or omissions in these materials or the information contained herein. The RF360 Subsidiaries reserve the right to make changes to the product(s) or information contained herein without notice. The materials and information are provided on an AS IS basis, and the RF360 Subsidiaries assume no liability and make no warranty or representation, either expressed or implied, with respect to the materials, or any output or results based on the use, application, or evaluation of such materials, including, without limitation, with respect to the non-infringement of trademarks, patents, copyrights or any other intellectual property rights or other rights of third parties.

No use of this documentation or any information contained herein grants any license, whether express, implied, by estoppel or otherwise, to any intellectual property rights, including, without limitation, to any patents owned by QUALCOMM Incorporated or any of its subsidiaries.

Not to be used, copied, reproduced, or modified in whole or in part, nor its contents revealed in any manner to others without the express written permission of RF360 Europe GmbH.

Qualcomm is a trademark of Qualcomm Incorporated, registered in the United States and other countries. Other product and brand names may be trademarks or registered trademarks of their respective owners.

This technical data may be subject to U.S. and international export, re-export, or transfer ("export") laws. Diversion contrary to U.S. and international law is strictly prohibited.

Table of contents

| | | |
|----|---|----|
| 1 | Application | 4 |
| 2 | Features | 4 |
| 3 | Package | 5 |
| 4 | Pin configuration | 5 |
| 5 | Matching circuit | 6 |
| 6 | Characteristics | 7 |
| 7 | Maximum ratings | 9 |
| 8 | Transmission coefficient | 10 |
| 9 | Return loss | 11 |
| 10 | Packing material | 12 |
| 11 | Marking | 14 |
| 12 | Soldering profile | 15 |
| 13 | ESD protection of SAW filters | 16 |
| 14 | Annotations | 17 |
| 15 | Cautions and warnings | 18 |
| 16 | Important notes | 19 |

1 Application

- Low-loss RF filter for remote control receivers
- Unbalanced to unbalanced operation
- No matching network required for operation at 50 Ω
- Low amplitude ripple
- Usable pass band 2MHz

2 Features

- Package size 3.0±0.1 mm × 3.0±0.1 mm
- Package height 1.1±0.125 mm
- Package code DCC6C
- Approximate weight 0.04 g
- RoHS compatible
- Package for Surface Mount Technology (SMT)
- Ni/Au-plated terminals
- Lead free soldering compatible with J-STD20C
- Filter surface passivated
- Electrostatic Sensitive Device (ESD)
- Moisture Sensitivity Level 1 (MSL1)
- AEC-Q200 qualified component family (Grade 1: -40 °C to +125 °C)

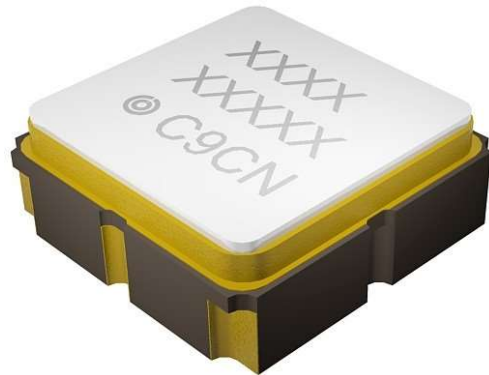


Figure 1: Picture of component with example of product marking.

5 Matching circuit

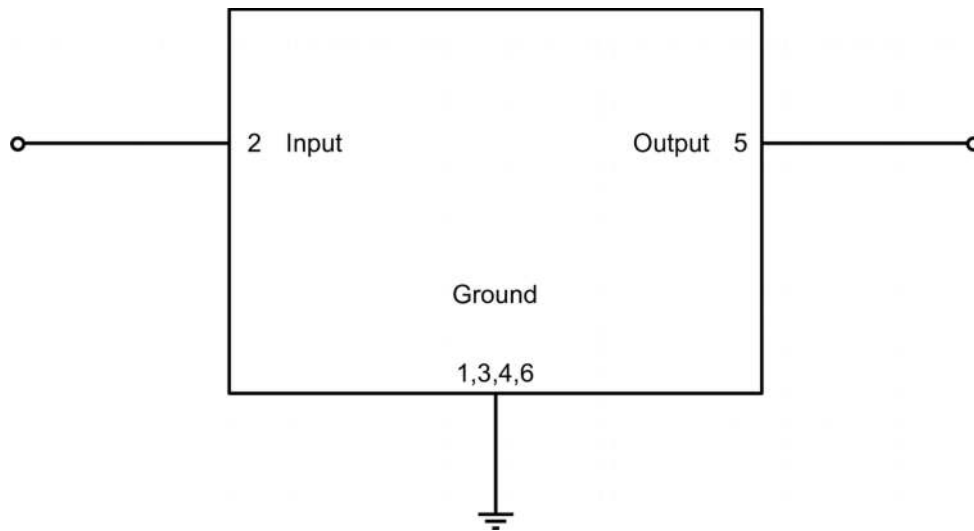


Figure 3: Schematic of matching circuit. No external matching components required.

6 Characteristics

| | | |
|-------------------------------------|------------|---------------------|
| Temperature range for specification | T_{SPEC} | = -20 °C ... +70 °C |
| Input terminating impedance | Z_{IN} | = 50 Ω |
| Output terminating impedance | Z_{OUT} | = 50 Ω |

| Characteristics | | | | min. for T_{SPEC} | typ. @ +25 °C | max. for T_{SPEC} | |
|--------------------------------------|--------------|-----|----------------|------------------------|------------------|------------------------|-----|
| Center frequency | | | f_C | — | 869 | — | MHz |
| Maximum insertion attenuation | 868... 870 | MHz | α_{max} | — | 2.5 | 3.5 | dB |
| Amplitude ripple (p-p) | 868... 870 | MHz | $\Delta\alpha$ | — | 0.3 | 1.3 | dB |
| Minimum return loss | | | α | | | | |
| @ input port | 868... 870 | MHz | | 10 | 20 | — | dB |
| @ output port | 868... 870 | MHz | | 10 | 20 | — | dB |
| Minimum attenuation | | | α_{min} | | | | |
| | 10... 300 | MHz | | 45 | 50 | — | dB |
| | 300... 845 | MHz | | 40 | 45 | — | dB |
| | 845... 853 | MHz | | 38 | 41 | — | dB |
| | 879... 883 | MHz | | 20 | 30 | — | dB |
| | 883... 915 | MHz | | 45 | 55 | — | dB |
| | 915... 945 | MHz | | 40 | 45 | — | dB |
| | 945... 1200 | MHz | | 45 | 55 | — | dB |
| | 1200... 2000 | MHz | | 35 | 40 | — | dB |

Temperature range for specification $T_{SPEC} = -40\text{ °C} \dots +85\text{ °C}$
 Input terminating impedance $Z_{IN} = 50\ \Omega$
 Output terminating impedance $Z_{OUT} = 50\ \Omega$

| Characteristics | | | min. for T_{SPEC} | typ. @ +25 °C | max. for T_{SPEC} | |
|--------------------------------------|---------------|----------------|------------------------|------------------|------------------------|-----|
| Center frequency | | f_C | — | 869 | — | MHz |
| Maximum insertion attenuation | 868 ... 870 | MHz | — | 2.5 | 4.0 | dB |
| Amplitude ripple (p-p) | 868 ... 870 | MHz | — | 0.3 | 1.7 | dB |
| Minimum return loss | | α | | | | |
| @ input port | 868 ... 870 | MHz | 10 | 20 | — | dB |
| @ output port | 868 ... 870 | MHz | 10 | 20 | — | dB |
| Minimum attenuation | | α_{min} | | | | |
| | 10 ... 300 | MHz | 45 | 50 | — | dB |
| | 300 ... 845 | MHz | 40 | 45 | — | dB |
| | 845 ... 853 | MHz | 38 | 41 | — | dB |
| | 879 ... 883 | MHz | 15 | 30 | — | dB |
| | 883 ... 915 | MHz | 45 | 55 | — | dB |
| | 915 ... 945 | MHz | 40 | 45 | — | dB |
| | 945 ... 1200 | MHz | 45 | 55 | — | dB |
| | 1200 ... 2000 | MHz | 35 | 40 | — | dB |

7 Maximum ratings

| | | |
|----------------------|---|---------------------------------------|
| Operable temperature | $T_{OP} = -45\text{ °C} \dots +125\text{ °C}$ | |
| Storage temperature | $T_{STG}^{1)} = -45\text{ °C} \dots +125\text{ °C}$ | |
| DC voltage | $ V_{DC} = 6.0\text{ V (max.)}$ | |
| Source power | P_S | |
| 868 ... 870 MHz | 13 dBm | Source impedance 50 Ω. |
| 868 ... 870 MHz | 18 dBm | Duty cycle 1:10, -40 °C to +85 °C. |

¹⁾ Not valid for packaging material. Please refer to definition of Shelf life (p. 17).

8 Transmission coefficient

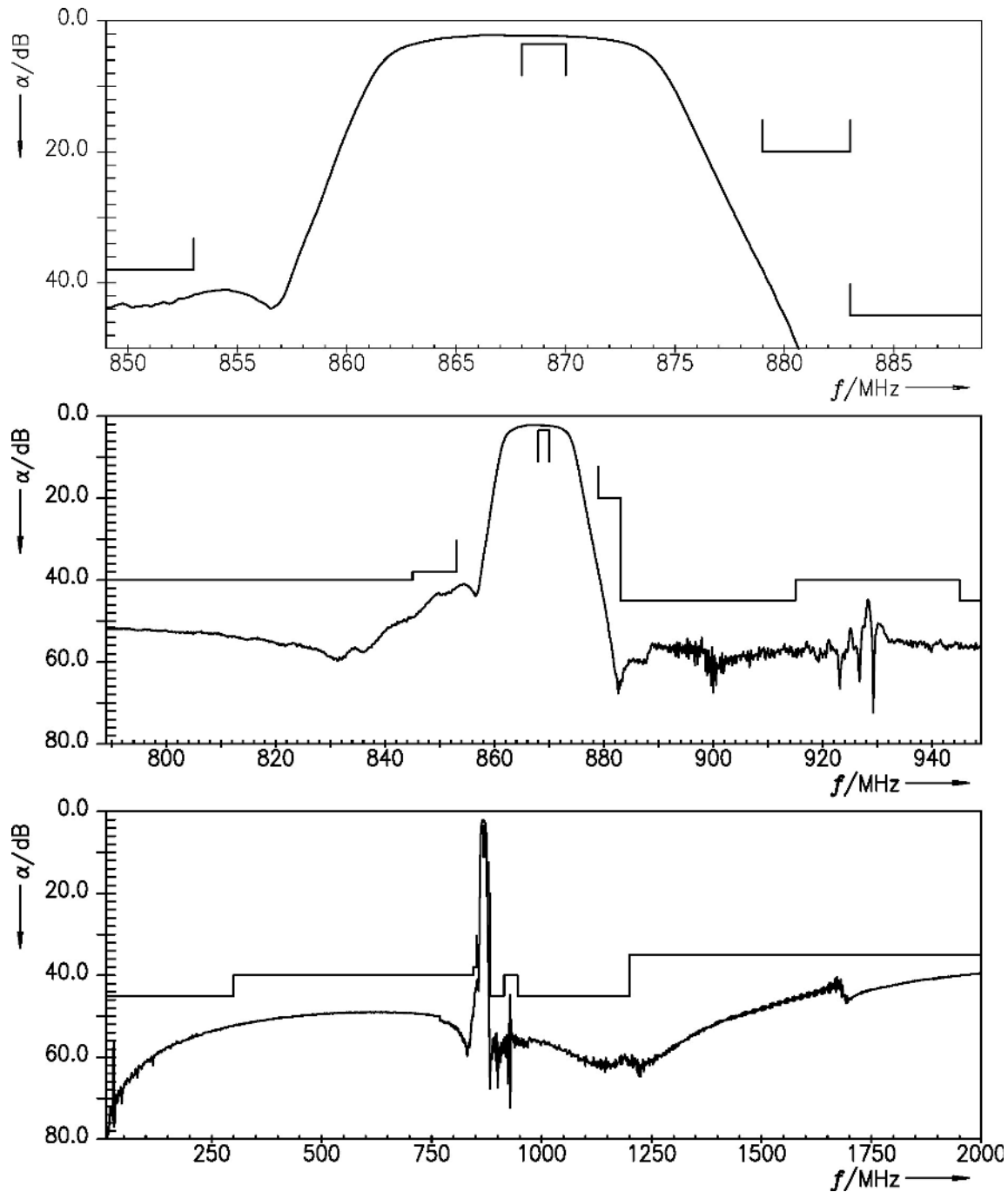


Figure 4: Attenuation.

9 Return loss

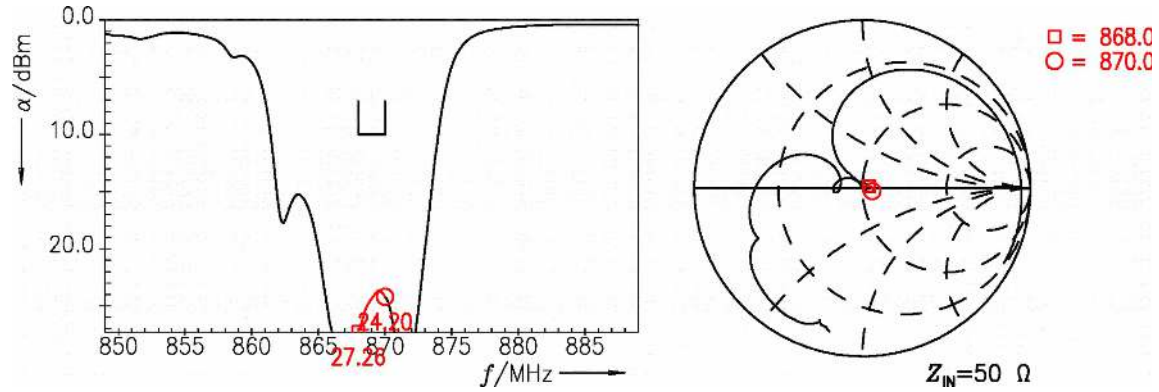


Figure 5: Return loss at input port.

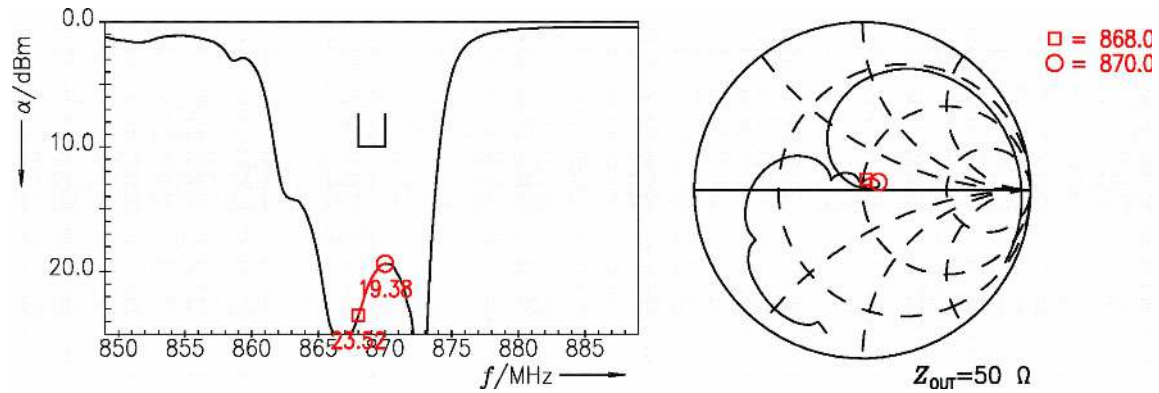


Figure 6: Return loss at output port.

10 Packing material

10.1 Tape

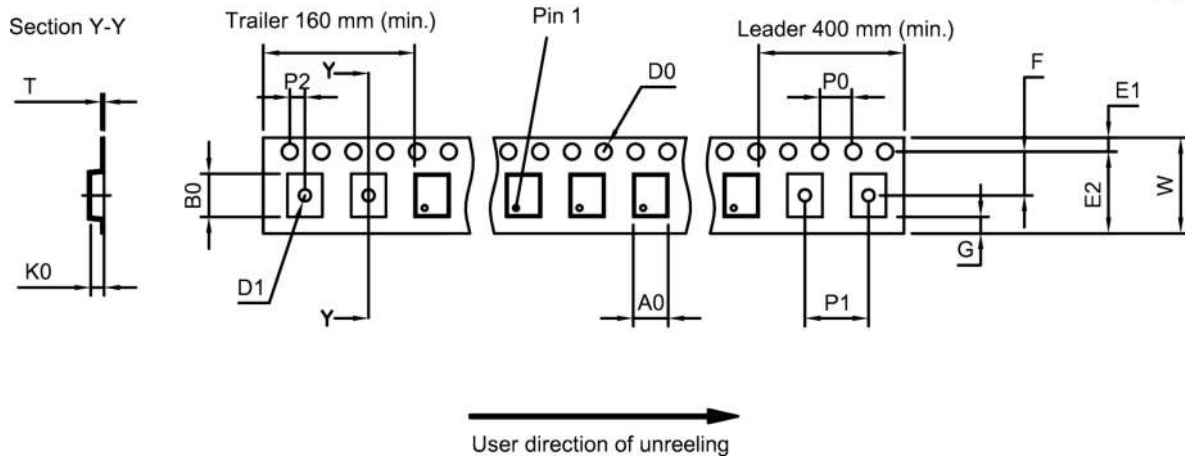


Figure 7: Drawing of tape (first-angle projection) for illustration only and not to scale. The valid tape dimensions are listed in Table 1.

| | | | | | |
|----------------|---------------|----------------|-----------------|----------------|------------------|
| A ₀ | 3.25±0.1 mm | E ₂ | 10.25 mm (min.) | P ₁ | 4.0±0.1 mm |
| B ₀ | 3.3±0.1 mm | F | 5.5±0.05 mm | P ₂ | 2.0±0.1 mm |
| D ₀ | 1.5+0.1/-0 mm | G | 0.75 mm (min.) | T | 0.3±0.05 mm |
| D ₁ | 1.5 mm (min.) | K ₀ | 1.5±0.1 mm | W | 12.0+0.3/-0.1 mm |
| E ₁ | 1.75±0.1 mm | P ₀ | 4.0±0.1 mm | | |

Table 1: Tape dimensions.

10.2 Reel with diameter of 330 mm

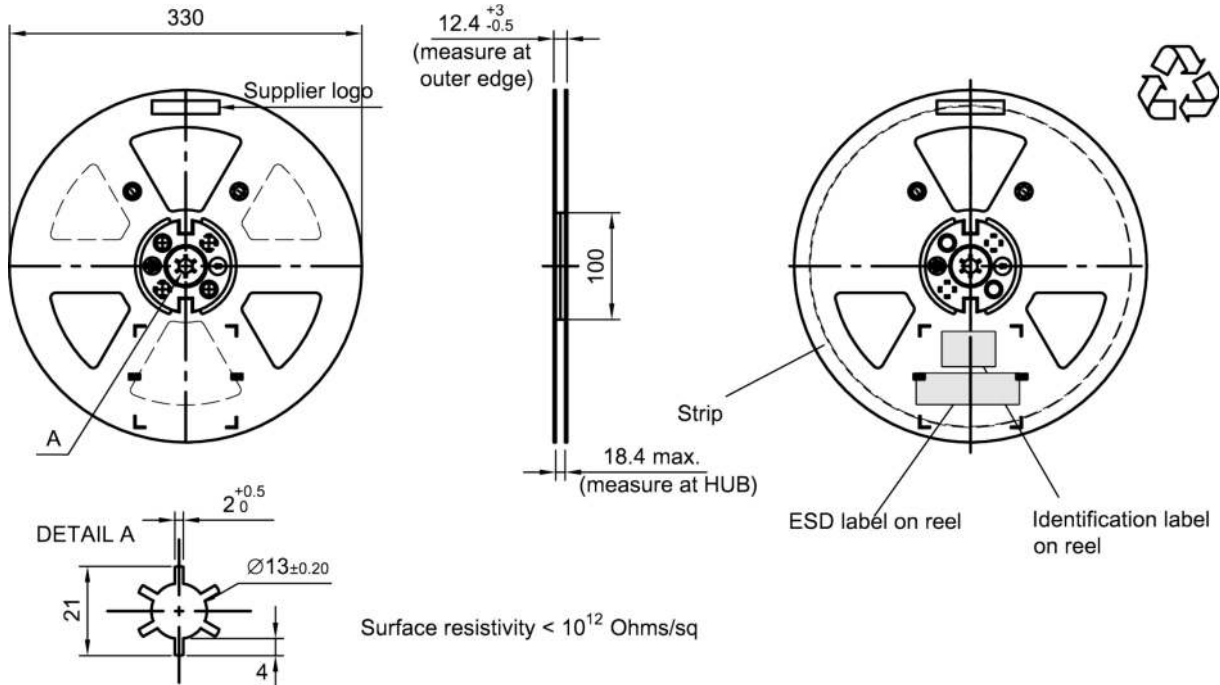


Figure 8: Drawing of reel (first-angle projection) with diameter of 330 mm.

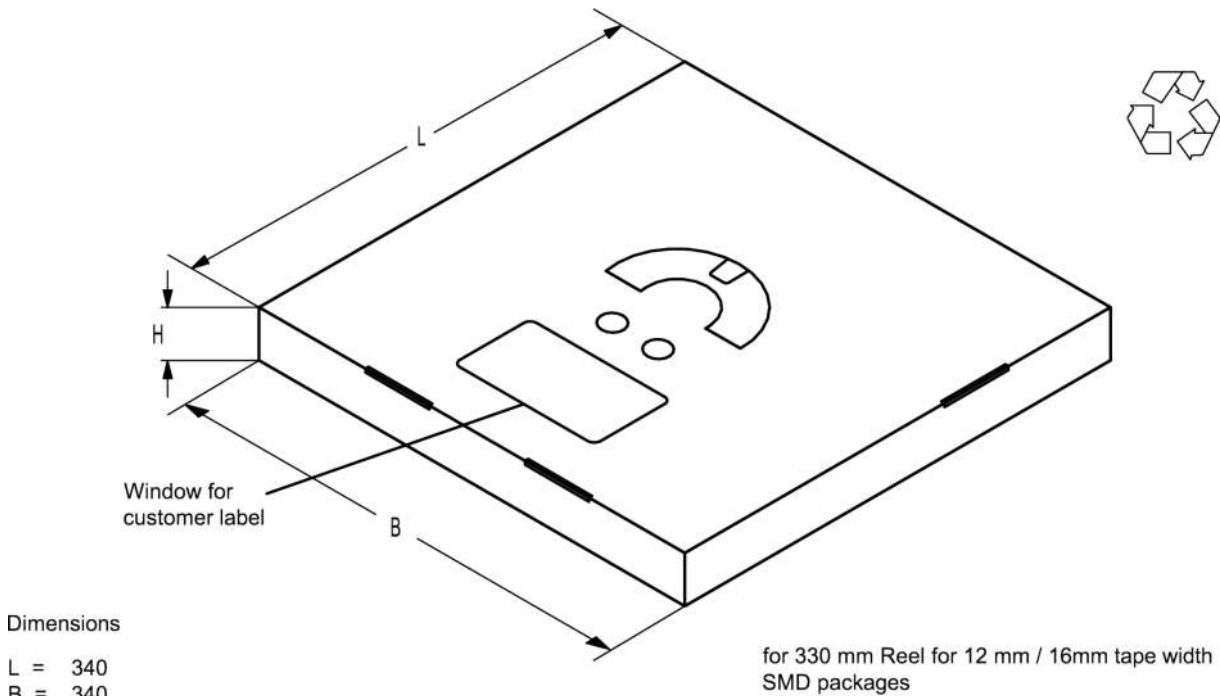


Figure 9: Drawing of folding box for reel with diameter of 330 mm.

11 Marking

Products are marked with device designation, lot number, as well as production location and date code.

- Device designation: The 4-character device designation of the ordering code is used for the marking.

Example for 4-character device designation: B3xxxxB**1234**xxxx

- Lot number: The last 5 digits of the lot number are used for the marking.

Example: **12345**

- Production location and date code: The production location is Wuxi (encoded in the first character 'C'). The production date code is encoded in the last three characters according to Table 2.

| 1 st digit (day) | | | | | | 2 nd digit (year) | | | | 3 rd digit (month) | | | |
|-----------------------------|------|-----|------|-----|------|------------------------------|------|-----------|------|-------------------------------|------|-------|------|
| Day | Code | Day | Code | Day | Code | Year | Code | Year | Code | Month | Code | Month | Code |
| 1 | 1 | 11 | A | 21 | M | 2010 | A | 2022 | P | Jan | 1 | Jul | 7 |
| 2 | 2 | 12 | B | 22 | N | 2011 | B | 2023 | R | Feb | 2 | Aug | 8 |
| 3 | 3 | 13 | C | 23 | P | 2012 | C | 2024 | S | Mar | 3 | Sep | 9 |
| 4 | 4 | 14 | D | 24 | R | 2013 | D | 2025 | T | Apr | 4 | Oct | 0 |
| 5 | 5 | 15 | E | 25 | S | 2014 | E | 2026 | U | May | 5 | Nov | N |
| 6 | 6 | 16 | F | 26 | T | 2015 | F | 2027 | V | Jun | 6 | Dec | D |
| 7 | 7 | 17 | H | 27 | U | 2016 | H | 2028 | W | | | | |
| 8 | 8 | 18 | J | 28 | V | 2017 | J | 2029 | X | | | | |
| 9 | 9 | 19 | K | 29 | W | 2018 | K | 2030 | Z | | | | |
| 10 | 0 | 20 | L | 30 | X | 2019 | L | 2031 | A | | | | |
| | | | | 31 | Z | 2020 | M | 2032 | B | | | | |
| | | | | | | 2021 | N | and so on | | | | | |

Table 2: Production date code.

Example of how to decode production location and date code:

Code: **C T F 6**

Location: C → Wuxi

Day: T → 26th

Year: F → 2015

Month: 6 → June

12 Soldering profile

The recommended soldering process is in accordance with IEC 60068-2-58 – 3rd edit and IPC/JEDEC J-STD-020B.

| | |
|--------------------------------------|--|
| ramp rate | ≤ 3 K/s |
| preheat | 125 °C to 220 °C, 150 s to 210 s, 0.4 K/s to 1.0 K/s |
| $T > 220\text{ °C}$ | 30 s to 70 s |
| $T > 230\text{ °C}$ | min. 10 s |
| $T > 245\text{ °C}$ | max. 20 s |
| $T \geq 255\text{ °C}$ | – |
| peak temperature T_{peak} | 250 °C +0/-5 °C |
| wetting temperature T_{min} | 230 °C +5/-0 °C for 10 s ± 1 s |
| cooling rate | ≤ 3 K/s |
| soldering temperature T | measured at solder pads |

Table 3: Characteristics of recommended soldering profile for lead-free solder (Sn95.5Ag3.8Cu0.7).

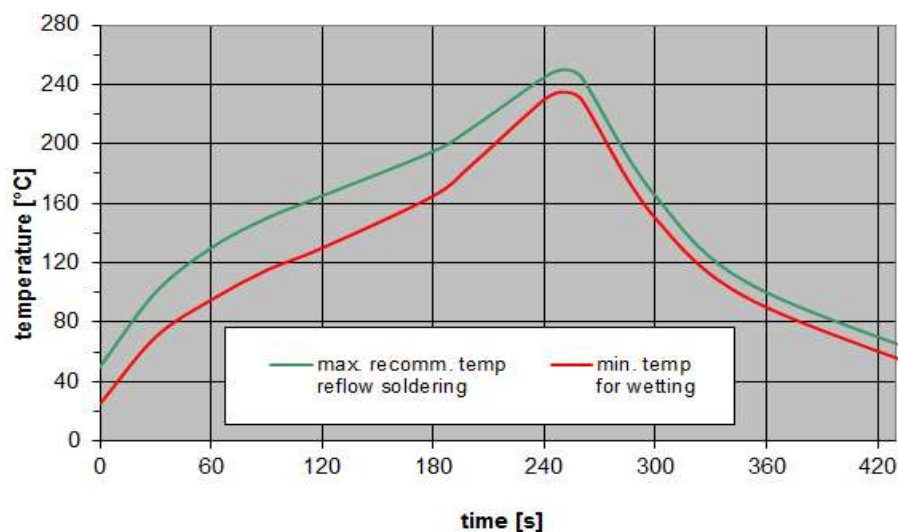


Figure 10: Recommended reflow profile for convection and infrared soldering – lead-free solder.

13 ESD protection of SAW filters

SAW filters are **E**lectro **S**tatic **D**ischarge sensitive devices. To reduce the probability of damages caused by ESD, special matching topologies have to be applied.

In general, “ESD matching” has to be ensured at that filter port, where electrostatic discharge is expected.

Electrostatic discharges predominantly appear at the antenna input of RF receivers. Therefore, only the input matching of the SAW filter has to be designed to short circuit or to block the ESD pulse.

Below three figures show recommended “ESD matching” topologies.

For wide band filters the high-pass ESD matching structure needs to be at least of 3rd order to ensure a proper matching for any impedance value of antenna and SAW filter input. The required component values have to be determined from case to case.

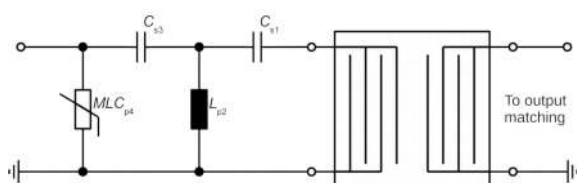


Figure 11: MLC varistor plus ESD matching.

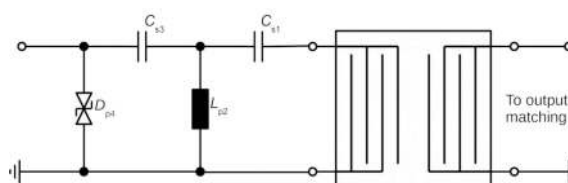


Figure 12: Suppressor diode plus ESD matching.

In cases where minor ESD occur, following simplified “ESD matching” topologies can be used alternatively.

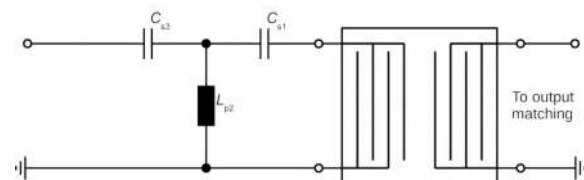


Figure 13: 3rd order high-pass structure for basic ESD protection.

In all three figures the shunt inductor L_{p2} could be replaced by a shorted microstrip with proper length and width. If this configuration is possible depends on the operating frequency and available PCB space.

Effectiveness of the applied ESD protection has to be checked according to relevant industry standards or customer specific requirements.

For further information, please refer to RF360 Application report: “**ESD protection for SAW filters**”. This report can be found under www.rf360jv.com/rke. Click on “Applications Notes”.

14 Annotations

14.1 RoHS compatibility

ROHS-compatible means that products are compatible with the requirements according to Art. 4 (substance restrictions) of Directive 2011/65/EU of the European Parliament and of the Council of June 8th, 2011, on the restriction of the use of certain hazardous substances in electrical and electronic equipment ("Directive") with due regard to the application of exemptions as per Annex III of the Directive in certain cases.

14.2 Scattering parameters (S-parameters)

The pin/port assignment is available in the headers of the S-parameter files. Please contact your local RF360 sales office.

14.3 Shelf life

The shelf life of components is determined by solderability of the package terminals. It is specified as 2 years from manufacturing date assuming the following conditions:

- storage in original packaging and non-aggressive atmosphere,
- storage temperature ranging from $-25\text{ }^{\circ}\text{C}$ to $+40\text{ }^{\circ}\text{C}$, and
- storage humidity with $\leq 75\%$ r.h. mean annual humidity, $\leq 95\%$ r.h. for max. 30 days / year, and no dew condensation.

15 Cautions and warnings

15.1 Display of ordering codes for RF360 products

The ordering code for one and the same product can be represented differently in data sheets, data books, other publications and the website of RF360, or in order-related documents such as shipping notes, order confirmations and product labels. The varying representations of the ordering codes are due to different processes employed and do not affect the specifications of the respective products. Detailed information can be found on the Internet under www.rf360jv.com/orderingcodes.

15.2 Material information

Due to technical requirements components may contain dangerous substances. For information on the type in question please also contact one of our sales offices.

For information on recycling of tapes and reels please contact one of our sales offices.

15.3 Moldability

Before using in overmolding environment, please contact your local RF360 sales office.

15.4 Package information

Landing area

The printed circuit board (PCB) land pattern (landing area) shown is based on RF360 internal development and empirical data and illustrated for example purposes, only. As customers' SMD assembly processes may have a plenty of variants and influence factors which are not under control or knowledge of RF360, additional careful process development on customer side is necessary and strongly recommended in order to achieve best soldering results tailored to the particular customer needs.

Dimensions

Unless otherwise specified all dimensions are understood using unit millimeter (mm).

Projection method

Unless otherwise specified first-angle projection is applied.

16 Important notes

The following applies to all products named in this publication:

1. Some parts of this publication contain **statements about the suitability of our products for certain areas of application**. These statements are based on our knowledge of typical requirements that are often placed on our products in the areas of application concerned. We nevertheless expressly point out **that such statements cannot be regarded as binding statements about the suitability of our products for a particular customer application**. As a rule, RF360 Europe GmbH and its affiliates are either unfamiliar with individual customer applications or less familiar with them than the customers themselves. For these reasons, it is always ultimately incumbent on the customer to check and decide whether an RF360 product with the properties described in the product specification is suitable for use in a particular customer application.
2. We also point out that **in individual cases, a malfunction of electronic components or failure before the end of their usual service life cannot be completely ruled out in the current state of the art, even if they are operated as specified**. In customer applications requiring a very high level of operational safety and especially in customer applications in which the malfunction or failure of an electronic component could endanger human life or health (e.g. in accident prevention or life-saving systems), it must therefore be ensured by means of suitable design of the customer application or other action taken by the customer (e.g. installation of protective circuitry or redundancy) that no injury or damage is sustained by third parties in the event of malfunction or failure of an electronic component.
3. **The warnings, cautions and product-specific notes must be observed.**
4. In order to satisfy certain technical requirements, **some of the products described in this publication may contain substances subject to restrictions in certain jurisdictions (e.g. because they are classed as hazardous)**. Useful information on this will be found in our Material Data Sheets on the Internet (www.rf360jv.com/material). Should you have any more detailed questions, please contact our sales offices.
5. We constantly strive to improve our products. Consequently, **the products described in this publication may change from time to time**. The same is true of the corresponding product specifications. Please check therefore to what extent product descriptions and specifications contained in this publication are still applicable before or when you place an order. We also **reserve the right to discontinue production and delivery of products**. Consequently, we cannot guarantee that all products named in this publication will always be available.
The aforementioned does not apply in the case of individual agreements deviating from the foregoing for customer-specific products.