

# SLG59M307V

An Ultra-small 3 mm<sup>2</sup>, 7.8 mΩ, 4 A, Load Switch with Discharge

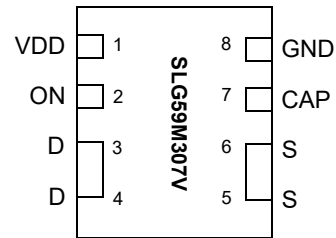
## General Description

The SLG59M307V is a 7.8 mΩ, 4 A single-channel load switch that is able to switch 0.85 V to 5.5 V power rails. The product is packaged in an ultra-small 1.5 x 2.0 mm package.

## Features

- 1.5 x 2.0 mm FC-TDFN package (2 fused pins for drain and 2 fused pins for source)
- Logic level ON pin capable of supporting 0.85 V CMOS Logic
- User selectable ramp rate with external capacitor
- 7.8 mΩ RDS<sub>ON</sub> while supporting 4 A
- Discharges load when off
- Pb-Free / Halogen-Free / RoHS compliant
- Operating Temperature: -20 °C to 70°C
- Operating Voltage: 1.5 V to 5.5 V

## Pin Configuration

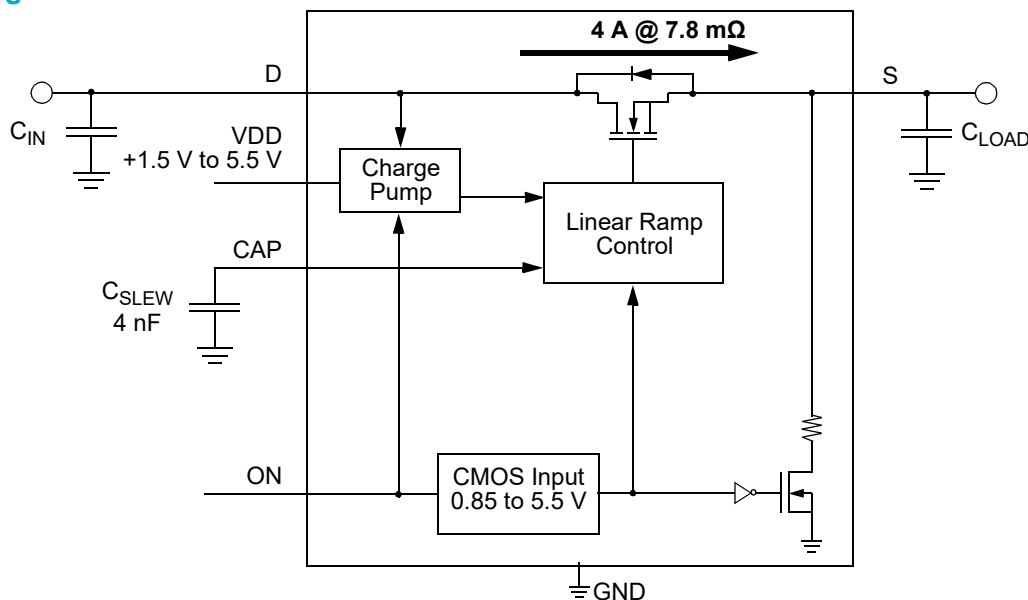


**8-pin FC-TDFN (Top View)**

## Applications

- Notebook Power Rail Switching
- Tablet Power Rail Switching
- Smartphone Power Rail Switching

## Block Diagram



## SLG59M307V

An Ultra-small 3 mm<sup>2</sup>, 7.8 mΩ, 4 A,  
Load Switch with Discharge

### Pin Description

Pin #	Pin Name	Type	Pin Description
1	VDD	PWR	VDD supplies the power for the operation of the load switch and internal control circuitry. Bypass the VDD pin to GND with a 0.1 μF (or larger) capacitor.
2	ON	Input	A low-to-high transition on this pin initiates the operation of the SLG59M307V's state machine. ON is a CMOS input with ON_V <sub>IL</sub> < 0.3 V and ON_V <sub>IH</sub> > 0.85 V thresholds. While there is an internal pull-down circuit to GND (~4 MΩ), connect this pin directly to a general-purpose output (GPO) of a microcontroller, an application processor, or a system controller.
3, 4	D	MOSFET	Drain terminal connection of the n-channel MOSFET (2 pins fused for D). Connect at least a low-ESR 0.1 μF capacitor from this pin to ground. Capacitors used at D should be rated at 10 V or higher.
5, 6	S	MOSFET	Source terminal connection of the n-channel MOSFET (2 pins fused for S). Connect a low-ESR capacitor from this pin to ground and consult the Electrical Characteristics table for recommended C <sub>LOAD</sub> range. Capacitors used at S should be rated at 10 V or higher.
7	CAP	Input	A low-ESR, stable dielectric, ceramic surface-mount capacitor connected from CAP pin to GND sets the V <sub>S</sub> slew rate and overall turn-on time of the SLG59M307V. For best performance C <sub>SLEW</sub> value should be ≥ 1.5 nF and voltage level should be rated at 10 V or higher.
8	GND	GND	Ground connection. Connect this pin to system analog or power ground plane.

### Ordering Information

Part Number	Type	Production Flow
SLG59M307V	FC-TDFN	Commercial, -20 °C to 70 °C
SLG59M307VTR	FC-TDFN (Tape and Reel)	Commercial, -20 °C to 70 °C

## SLG59M307V

An Ultra-small 3 mm<sup>2</sup>, 7.8 mΩ, 4 A,  
Load Switch with Discharge

### Absolute Maximum Ratings

Parameter	Description	Conditions	Min.	Typ.	Max.	Unit
V <sub>DD</sub>	Power Supply		--	--	7	V
T <sub>S</sub>	Storage Temperature		-65	--	150	°C
ESD <sub>HBM</sub>	ESD Protection	Human Body Model	2000	--	--	V
θ <sub>JA</sub>	Package Thermal Resistance, Junction-to-Ambient	1.5 mm x 2 mm 8L FC-TDFN; Determined using 1 in <sup>2</sup> , 1 oz. copper pads under each D and S terminals and FR4 pcb material	--	85	--	°C/W
W <sub>DIS</sub>	Package Power Dissipation		--	--	1	W
MOSFET IDS <sub>PK</sub>	Peak Current from Drain to Source	For no more than 1 ms with 1% duty cycle	--	--	6	A

Note: Stresses greater than those listed under "Absolute Maximum Ratings" may cause permanent damage to the device. This is a stress rating only and functional operation of the device at these or any other conditions above those indicated in the operational sections of this specification is not implied. Exposure to absolute maximum rating conditions for extended periods may affect reliability.

### Electrical Characteristics

T<sub>A</sub> = -20 °C to 70 °C unless otherwise noted. Typical values are at T<sub>A</sub> = 25 °C.

Parameter	Description	Conditions	Min.	Typ.	Max.	Unit
V <sub>DD</sub>	Power Supply Voltage	-20 °C to 70 °C	1.5	--	5.5	V
I <sub>DD</sub>	Power Supply Current (PIN 1)	when OFF, ON = 0 V	--	--	1	μA
		when ON, No load	--	70	100	μA
RDS <sub>ON</sub>	ON Resistance	T <sub>A</sub> = 25 °C, I <sub>DS</sub> = 100 mA	--	7.8	8.5	mΩ
		T <sub>A</sub> = 70 °C, I <sub>DS</sub> = 100 mA	--	8.5	9.6	mΩ
MOSFET IDS	Current from D to S	Continuous	--	--	4	A
V <sub>D</sub>	Drain Voltage		0.85	--	V <sub>DD</sub>	V
T <sub>ON_Delay</sub>	ON Delay Time	50% ON to V <sub>S</sub> Ramp Start; V <sub>DD</sub> = V <sub>D</sub> = 5 V; C <sub>SLEW</sub> = 4 nF, C <sub>LOAD</sub> = 10 μF, R <sub>LOAD</sub> = 20 Ω	--	300	500	μs
T <sub>Total_ON</sub>	Total Turn On Time	50% ON to 90% V <sub>S</sub>	Set by External C <sub>SLEW</sub> <sup>1</sup>			ms
		Example: C <sub>SLEW</sub> = 4 nF, V <sub>DD</sub> = V <sub>D</sub> = 5 V, C <sub>LOAD</sub> = 10 μF, R <sub>LOAD</sub> = 20 Ω	--	1.96	--	ms
V <sub>S(SR)</sub>	Slew Rate	10% V <sub>S</sub> to 90% V <sub>S</sub>	Set by External C <sub>SLEW</sub> <sup>1</sup>			V/ms
		Example: C <sub>SLEW</sub> = 4 nF, V <sub>DD</sub> = V <sub>D</sub> = 5 V, C <sub>LOAD</sub> = 10 μF, R <sub>LOAD</sub> = 20 Ω	--	3.0	--	V/ms
C <sub>LOAD</sub>	Output Load Capacitance	C <sub>LOAD</sub> connected from S to GND	--	--	500	μF
R <sub>DISCHRG</sub>	Discharge Resistance		100	150	300	Ω
ON_V <sub>IH</sub>	High Input Voltage on ON pin		0.85	--	V <sub>DD</sub>	V
ON_V <sub>IL</sub>	Low Input Voltage on ON pin		-0.3	0	0.3	V
T <sub>OFF_Delay</sub>	OFF Delay Time	50% ON to V <sub>S</sub> Fall Start, V <sub>DD</sub> = V <sub>D</sub> = 5 V, R <sub>LOAD</sub> = 20 Ω, no C <sub>LOAD</sub>	--	--	15	μs

# SLG59M307V

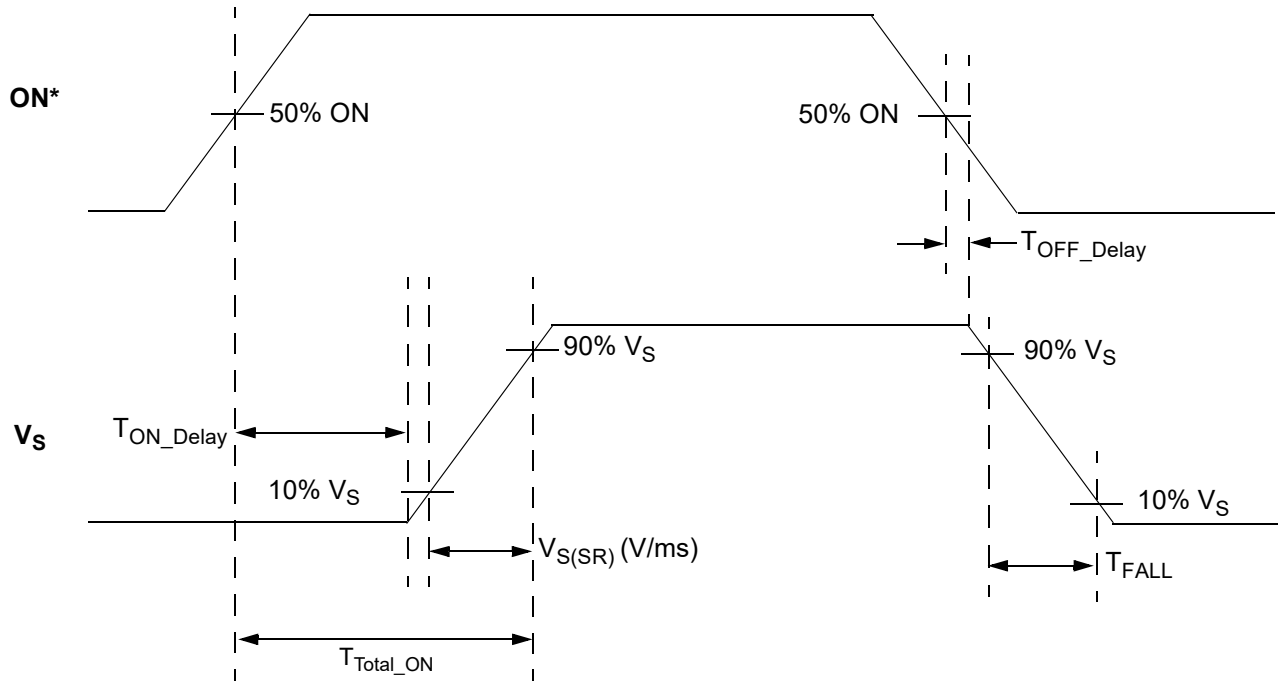
An Ultra-small 3 mm<sup>2</sup>, 7.8 mΩ, 4 A, Load Switch with Discharge

## Electrical Characteristics (continued)

T<sub>A</sub> = -20 °C to 70 °C unless otherwise noted. Typical values are at T<sub>A</sub> = 25 °C.

Parameter	Description	Conditions	Min.	Typ.	Max.	Unit
Notes:						
1. Refer to typical timing parameter vs. C <sub>SLEW</sub> performance charts for additional information when available.						

## T<sub>ON\_Delay</sub>, V<sub>S(SR)</sub>, and T<sub>Total\_ON</sub> Timing Details



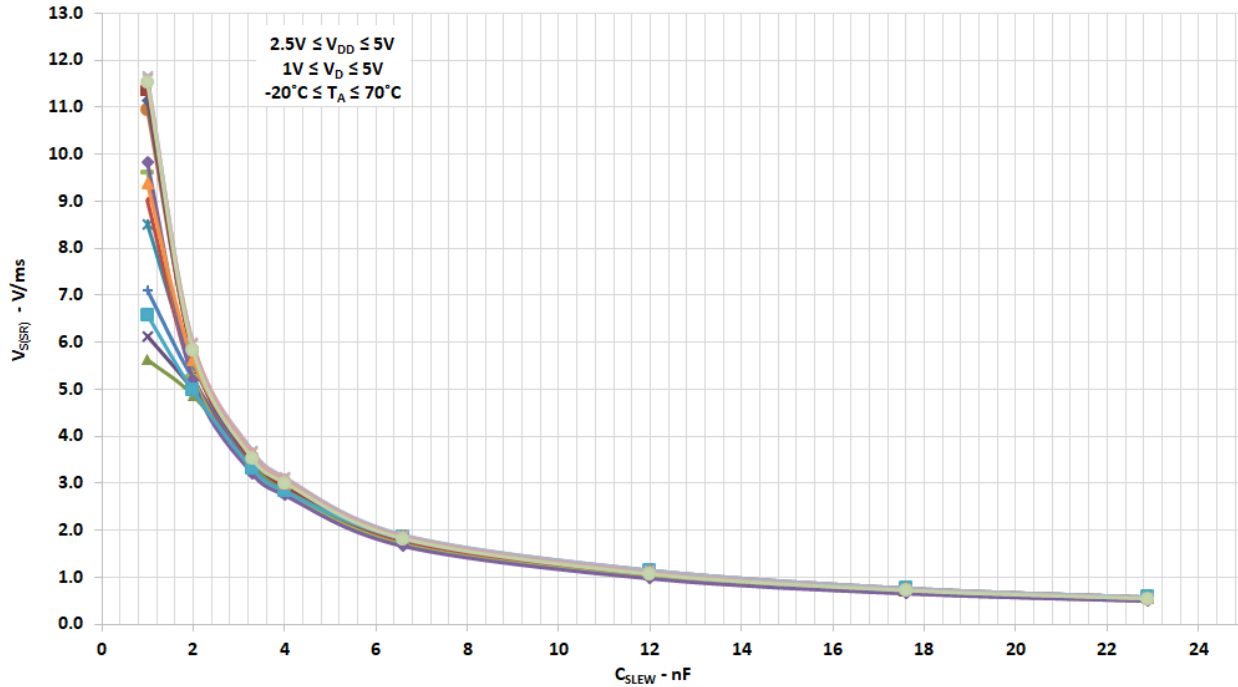
Note: \* Rise and Fall times of the ON signal are 100 ns

# SLG59M307V

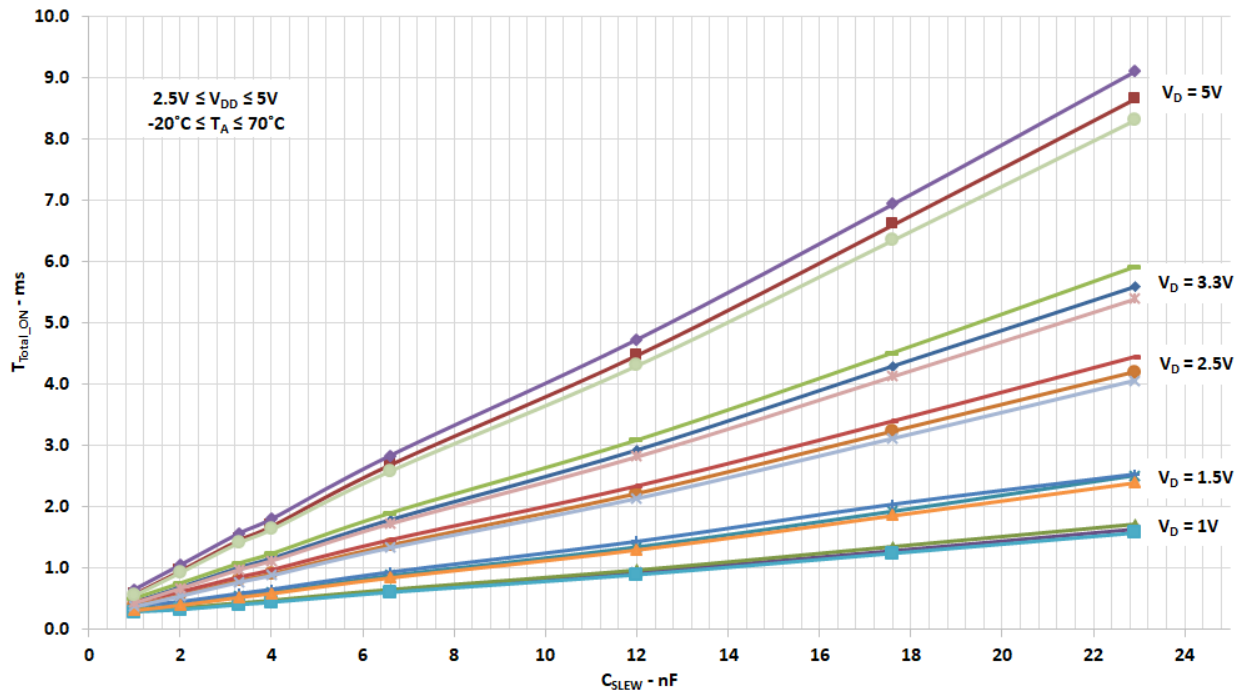
An Ultra-small 3 mm<sup>2</sup>, 7.8 mΩ, 4 A, Load Switch with Discharge

## Typical Performance Characteristics

### V<sub>S</sub> Slew Rate vs. C<sub>SLEW</sub>, V<sub>DD</sub>, and Temperature



### T<sub>Total\_ON</sub> vs. C<sub>SLEW</sub>, V<sub>D</sub>, and V<sub>DD</sub>



## SLG59M307V

An Ultra-small 3 mm<sup>2</sup>, 7.8 mΩ, 4 A,  
Load Switch with Discharge

### SLG59M307V Power-Up/Power-Down Sequence Considerations

To ensure glitch-free power-up under all conditions, apply V<sub>DD</sub> first, followed by V<sub>D</sub> after V<sub>DD</sub> exceeds 1 V. Then allow V<sub>D</sub> to reach 90% of its max value before toggling the ON pin from Low-to-High. Likewise, power-down in reverse order.

If V<sub>DD</sub> and V<sub>D</sub> need to be powered up simultaneously, glitching can be minimized by having a suitable load capacitor. A 10 μF C<sub>LOAD</sub> will prevent glitches for rise times of V<sub>DD</sub> and V<sub>D</sub> higher than 2 ms.

If the ON pin is toggled HIGH before V<sub>DD</sub> and V<sub>D</sub> have reached their steady-state values, the load switch timing parameters may differ from datasheet specifications.

The slew rate of output V<sub>S</sub> follows a linear ramp set by a capacitor connected to the CAP pin. A larger capacitor value at the CAP pin produces a slower ramp, reducing inrush current from capacitive loads.

### Power Dissipation

The junction temperature of the SLG59M307V depends on different factors such as board layout, ambient temperature, and other environmental factors. The primary contributor to the increase in the junction temperature of the SLG59M307V is the power dissipation of its power MOSFET. Its power dissipation and the junction temperature in nominal operating mode can be calculated using the following equations:

$$PD = RDS_{ON} \times I_{DS}^2$$

where:

PD = Power dissipation, in Watts (W)

RDS<sub>ON</sub> = Power MOSFET ON resistance, in Ohms (Ω)

I<sub>DS</sub> = Output current, in Amps (A)

and

$$T_J = PD \times \theta_{JA} + T_A$$

where:

T<sub>J</sub> = Junction temperature, in Celsius degrees (°C)

θ<sub>JA</sub> = Package thermal resistance, in Celsius degrees per Watt (°C/W)

T<sub>A</sub> = Ambient temperature, in Celsius degrees (°C)

For more information on GreenFET load switch features, please visit our website and see App Note “AN-1068 GreenFET and High Voltage GreenFET Load Switch Basics”.

## SLG59M307V

An Ultra-small 3 mm<sup>2</sup>, 7.8 mΩ, 4 A, Load Switch with Discharge

### Layout Guidelines:

1. The VDD pin needs a 0.1 μF and 10 μF external capacitors to smooth pulses from the power supply. Locate these capacitors as close as possible to the SLG59M307V's PIN1.
2. Since the D and S pins dissipate most of the heat generated during high-load current operation, it is highly recommended to make power traces as short, direct, and wide as possible. A good practice is to make power traces with an absolute minimum widths of 15 mils (0.381 mm) per Ampere. A representative layout, shown in Figure 1, illustrates proper techniques for heat to transfer as efficiently as possible out of the device;
3. To minimize the effects of parasitic trace inductance on normal operation, it is recommended to connect input C<sub>IN</sub> and output C<sub>LOAD</sub> low-ESR capacitors as close as possible to the SLG59M307V's D and S pins;
4. The GND pin should be connected to system analog or power ground plane.

### SLG59M307V Evaluation Board:

A GreenFET Evaluation Board for SLG59M307V is designed according to the statements above and is illustrated on Figure 1. Please note that evaluation board has D\_Sense and S\_Sense pads. They cannot carry high currents and dedicated only for RDS<sub>ON</sub> evaluation.

Please solder your SLG59M307V here

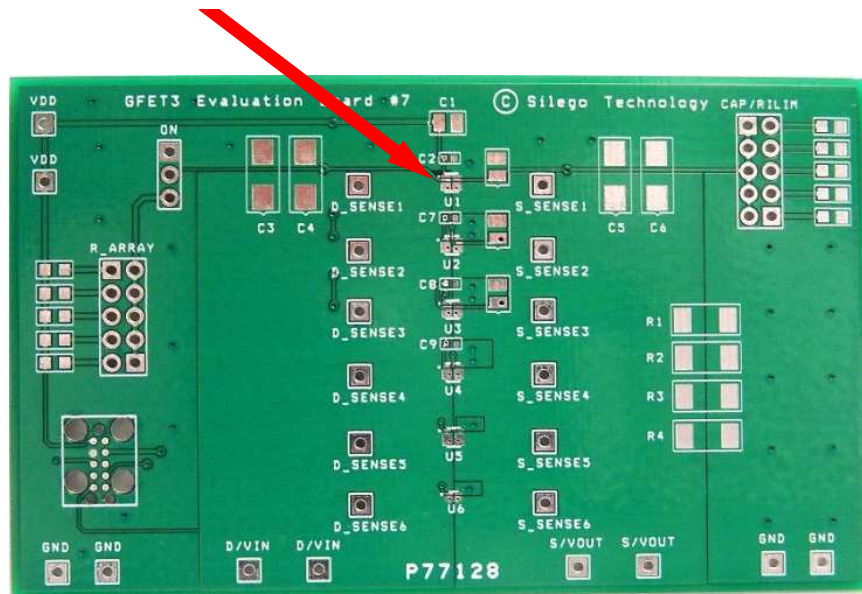


Figure 1. SLG59M307V Evaluation Board.

SLG59M307V

An Ultra-small 3 mm<sup>2</sup>, 7.8 mΩ, 4 A,  
Load Switch with Discharge

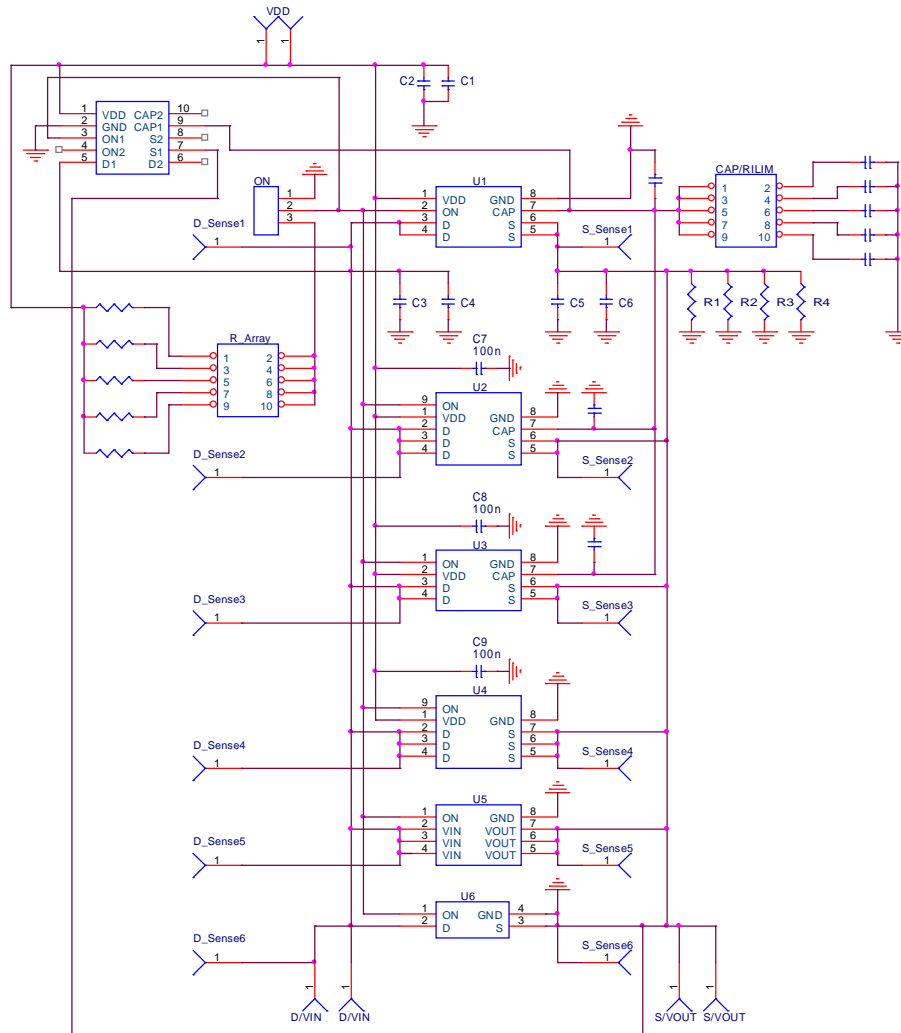


Figure 2. SLG59M307V Evaluation Board Connection Circuit.



## SLG59M307V

An Ultra-small 3 mm<sup>2</sup>, 7.8 mΩ, 4 A, Load Switch with Discharge

### Basic Test Setup and Connections

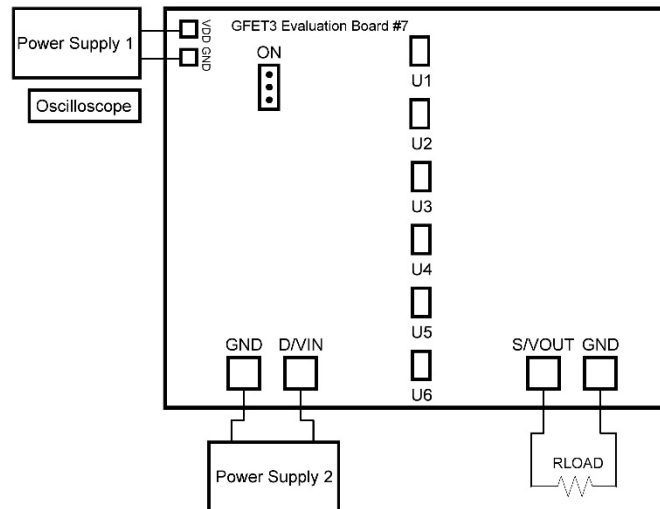


Figure 3. Typical connections for GreenFET Evaluation.

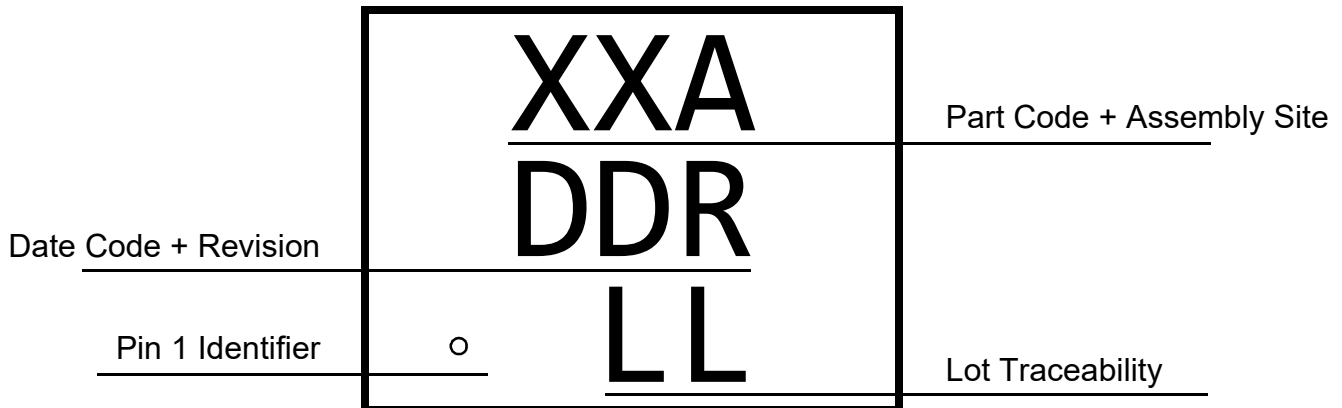
#### EV B Configuration

1. Connect oscilloscope probes to D/VIN, S/VOUT, ON, etc.;
2. Turn on Power Supply 1 and set desired  $V_{DD}$  from 2.5 V...5.5 V range;
3. Turn on Power Supply 2 and set desired  $V_D$  from 0.85 V...5.5 V range;
4. Toggle the ON signal High or Low to observe SLG59M307V operation.

## SLG59M307V

An Ultra-small 3 mm<sup>2</sup>, 7.8 mΩ, 4 A,  
Load Switch with Discharge

### Package Top Marking System Definition



XX - Part Code Field<sup>1</sup>  
 A - Assembly Site Code Field<sup>2</sup>  
 DD - Date Code Field<sup>1</sup>  
 R - Part Revision Code Field<sup>2</sup>  
 LL - Lot Traceability Field<sup>1</sup>

Note 1: Each character in code field can be alphanumeric A-Z and 0-9

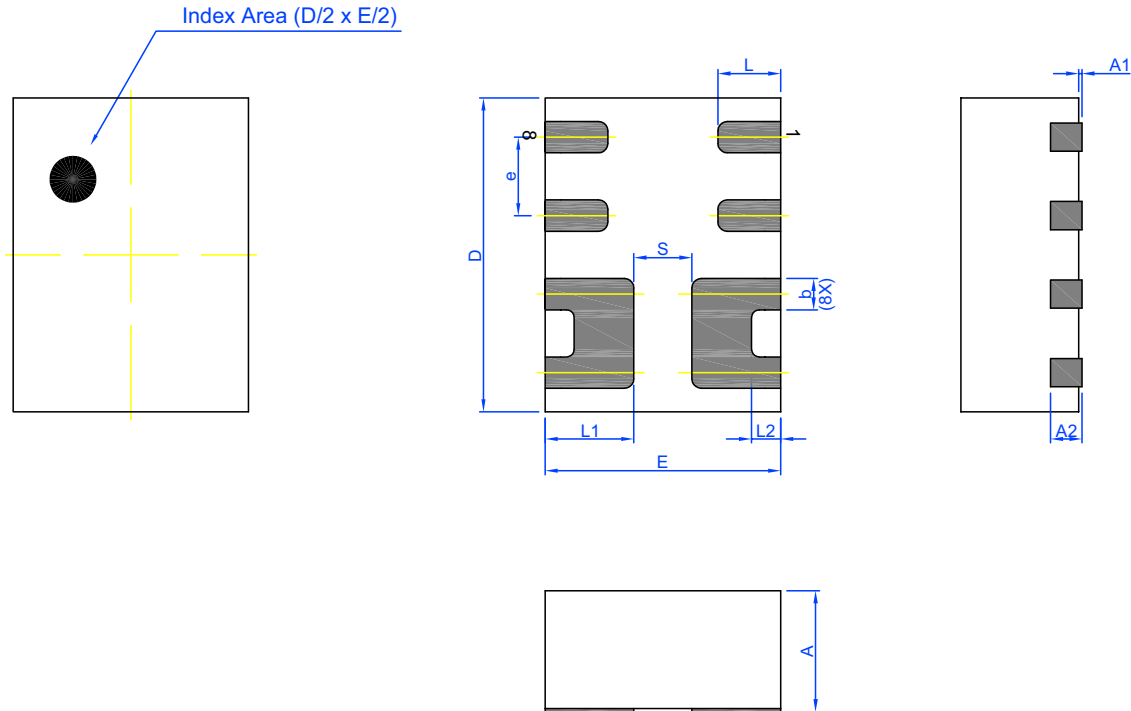
Note 2: Character in code field can be alphabetic A-Z

# SLG59M307V

An Ultra-small 3 mm<sup>2</sup>, 7.8 mΩ, 4 A, Load Switch with Discharge

## Package Drawing and Dimensions

8 Lead TDFN Package 1.5 x 2.0 mm (Fused Lead)  
JEDEC MO-252



Unit: mm

Symbol	Min	Nom.	Max	Symbol	Min	Nom.	Max
A	0.70	0.75	0.80	L	0.35	0.40	0.45
A1	0.005	-	0.060	L1	0.515	0.565	0.615
A2	0.15	0.20	0.25	L2	0.135	0.185	0.235
b	0.15	0.20	0.25	e	0.50 BSC		
D	1.95	2.00	2.05	S	0.37 REF		
E	1.45	1.50	1.55				

## SLG59M307V

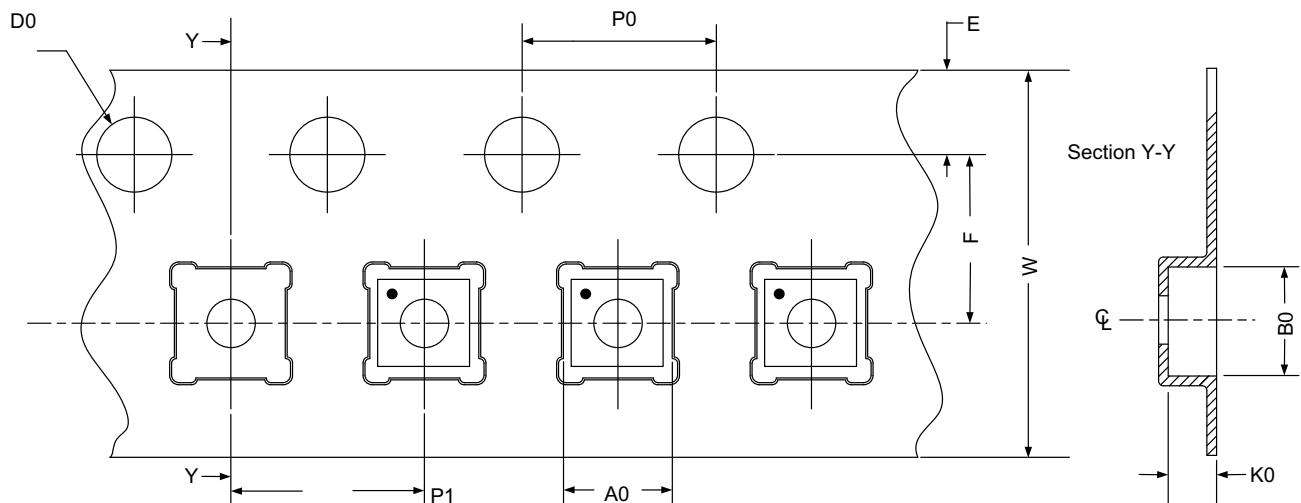
An Ultra-small 3 mm<sup>2</sup>, 7.8 mΩ, 4 A,  
Load Switch with Discharge

### Tape and Reel Specifications

Package Type	# of Pins	Nominal Package Size [mm]	Max Units		Reel & Hub Size [mm]	Leader (min)		Trailer (min)		Tape Width [mm]	Part Pitch [mm]
			per Reel	per Box		Pockets	Length [mm]	Pockets	Length [mm]		
TDFN 8L FC Green	8	1.5 x 2.0 x 0.75	3000	3000	178 / 60	100	400	100	400	8	4

### Carrier Tape Drawing and Dimensions

Package Type	Pocket BTM Length	Pocket BTM Width	Pocket Depth	Index Hole Pitch	Pocket Pitch	Index Hole Diameter	Index Hole to Tape Edge	Index Hole to Pocket Center	Tape Width
	A0	B0	K0	P0	P1	D0	E	F	W
TDFN 8L FC Green	1.68	2.18	0.9	4	4	1.5	1.75	3.5	8



Refer to EIA-481 specification

### Recommended Reflow Soldering Profile

Please see IPC/JEDEC J-STD-020: latest revision for reflow profile based on package volume of 2.25 mm<sup>3</sup> (nominal). More information can be found at [www.jedec.org](http://www.jedec.org).

## SLG59M307V

An Ultra-small 3 mm<sup>2</sup>, 7.8 mΩ, 4 A,  
Load Switch with Discharge

### Revision History

Date	Version	Change
2/3/2022	1.03	Updated Company name and logo Fixed typos
9/1/2020	1.02	Updated Style and Formatting Updated Charts Added Layout Guidelines
12/6/2013	1.01	Fixed typos
7/16/2013	1.00	Production Release

## IMPORTANT NOTICE AND DISCLAIMER

RENESAS ELECTRONICS CORPORATION AND ITS SUBSIDIARIES (“RENESAS”) PROVIDES TECHNICAL SPECIFICATIONS AND RELIABILITY DATA (INCLUDING DATASHEETS), DESIGN RESOURCES (INCLUDING REFERENCE DESIGNS), APPLICATION OR OTHER DESIGN ADVICE, WEB TOOLS, SAFETY INFORMATION, AND OTHER RESOURCES “AS IS” AND WITH ALL FAULTS, AND DISCLAIMS ALL WARRANTIES, EXPRESS OR IMPLIED, INCLUDING, WITHOUT LIMITATION, ANY IMPLIED WARRANTIES OF MERCHANTABILITY, FITNESS FOR A PARTICULAR PURPOSE, OR NON-INFRINGEMENT OF THIRD PARTY INTELLECTUAL PROPERTY RIGHTS.

These resources are intended for developers skilled in the art designing with Renesas products. You are solely responsible for (1) selecting the appropriate products for your application, (2) designing, validating, and testing your application, and (3) ensuring your application meets applicable standards, and any other safety, security, or other requirements. These resources are subject to change without notice. Renesas grants you permission to use these resources only for development of an application that uses Renesas products. Other reproduction or use of these resources is strictly prohibited. No license is granted to any other Renesas intellectual property or to any third party intellectual property. Renesas disclaims responsibility for, and you will fully indemnify Renesas and its representatives against, any claims, damages, costs, losses, or liabilities arising out of your use of these resources. Renesas' products are provided only subject to Renesas' Terms and Conditions of Sale or other applicable terms agreed to in writing. No use of any Renesas resources expands or otherwise alters any applicable warranties or warranty disclaimers for these products.

(Disclaimer Rev.1.0 Mar 2020)

### Corporate Headquarters

TOYOSU FORESIA, 3-2-24 Toyosu,  
Koto-ku, Tokyo 135-0061, Japan  
[www.renesas.com](http://www.renesas.com)

### Contact Information

For further information on a product, technology, the most up-to-date version of a document, or your nearest sales office, please visit:  
[www.renesas.com/contact/](http://www.renesas.com/contact/)

### Trademarks

Renesas and the Renesas logo are trademarks of Renesas Electronics Corporation. All trademarks and registered trademarks are the property of their respective owners.