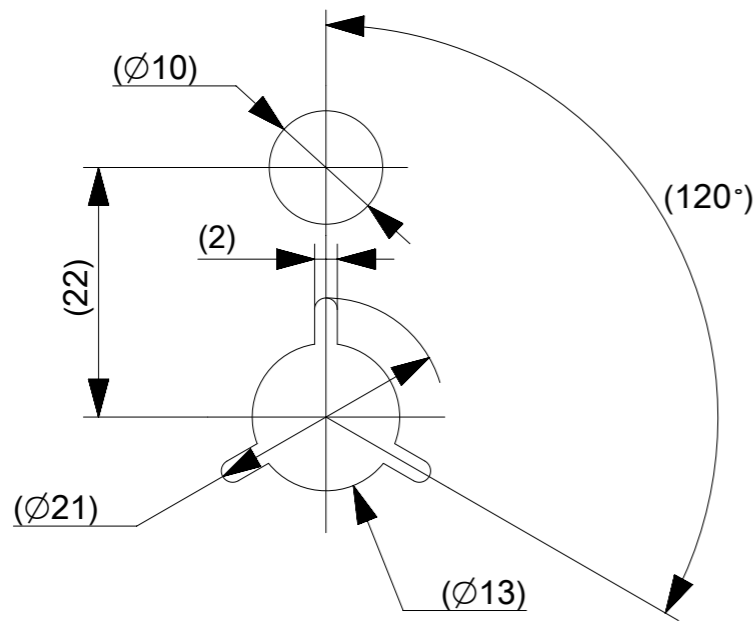
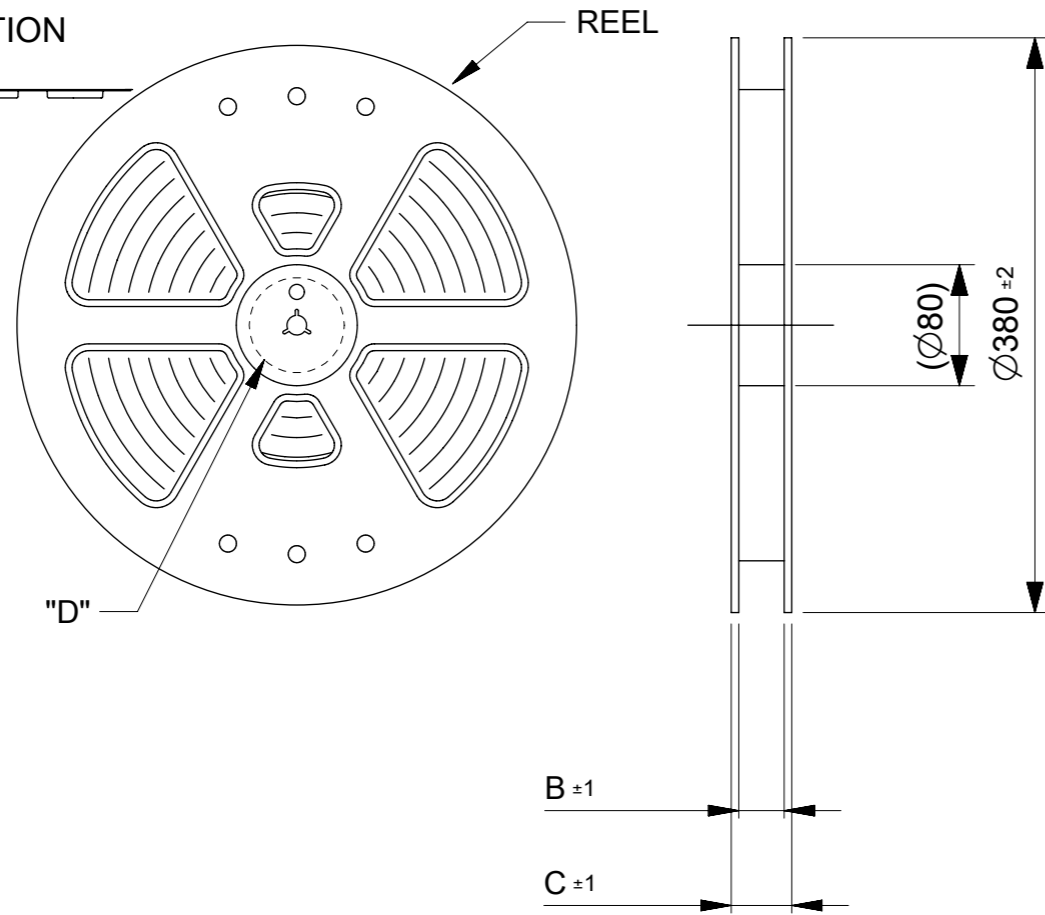


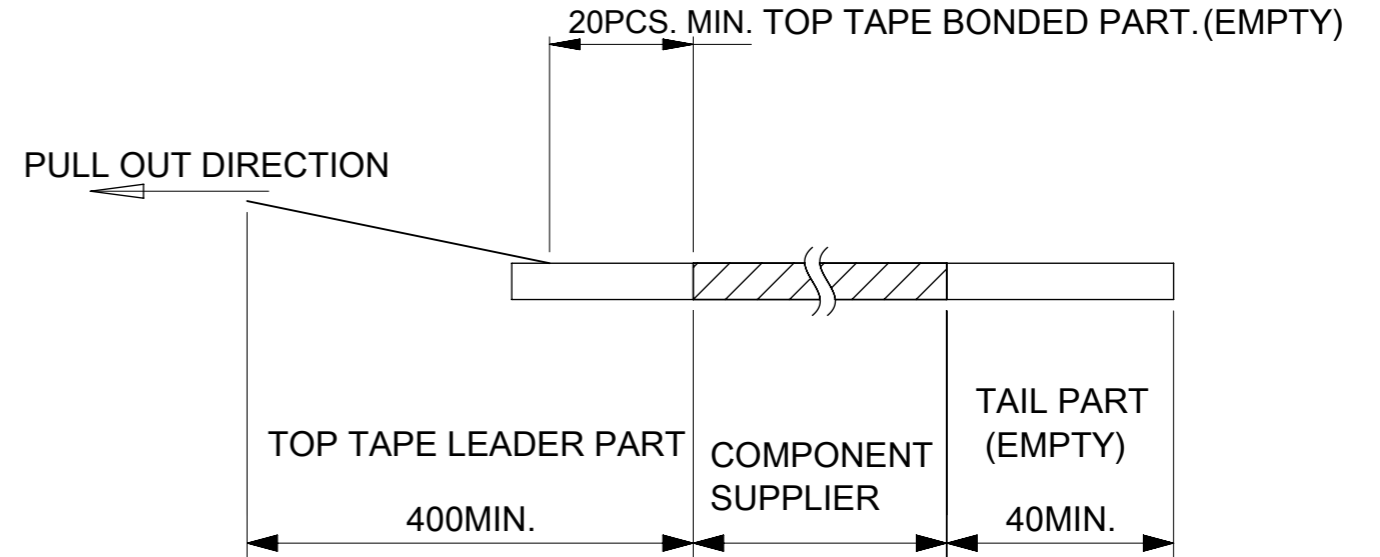
PULL OUT DIRECTION



DETAIL "D"

NOTES

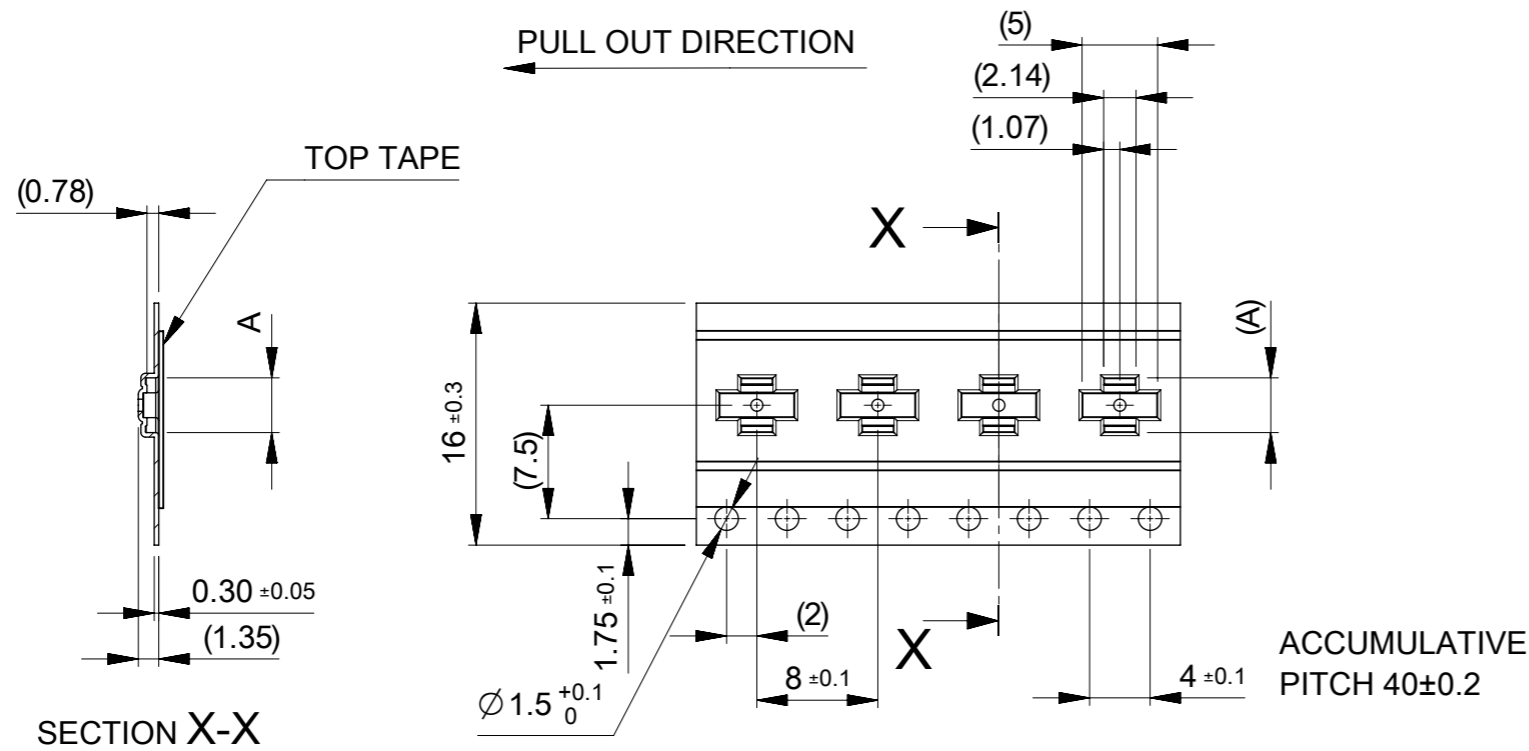
1. RE DETAILED DIMENSION, SEE PRODUCT DRAWING.
2. NUMBER OF CONNECTORS : 8000 PCS/REEL.
3. LEAD TAPE LENGTH.



4. TOP TAPE PEEL FORCE IS DEFINED BY IEC60286-3
5. MATERIAL  
 CARRER TAPE :POLYSTYRENE  
 TOP TAPE :PET , OTHER  
 REEL :POLYSTYRENE(PS)(RECYCLE MATERIAL CONTAINED)

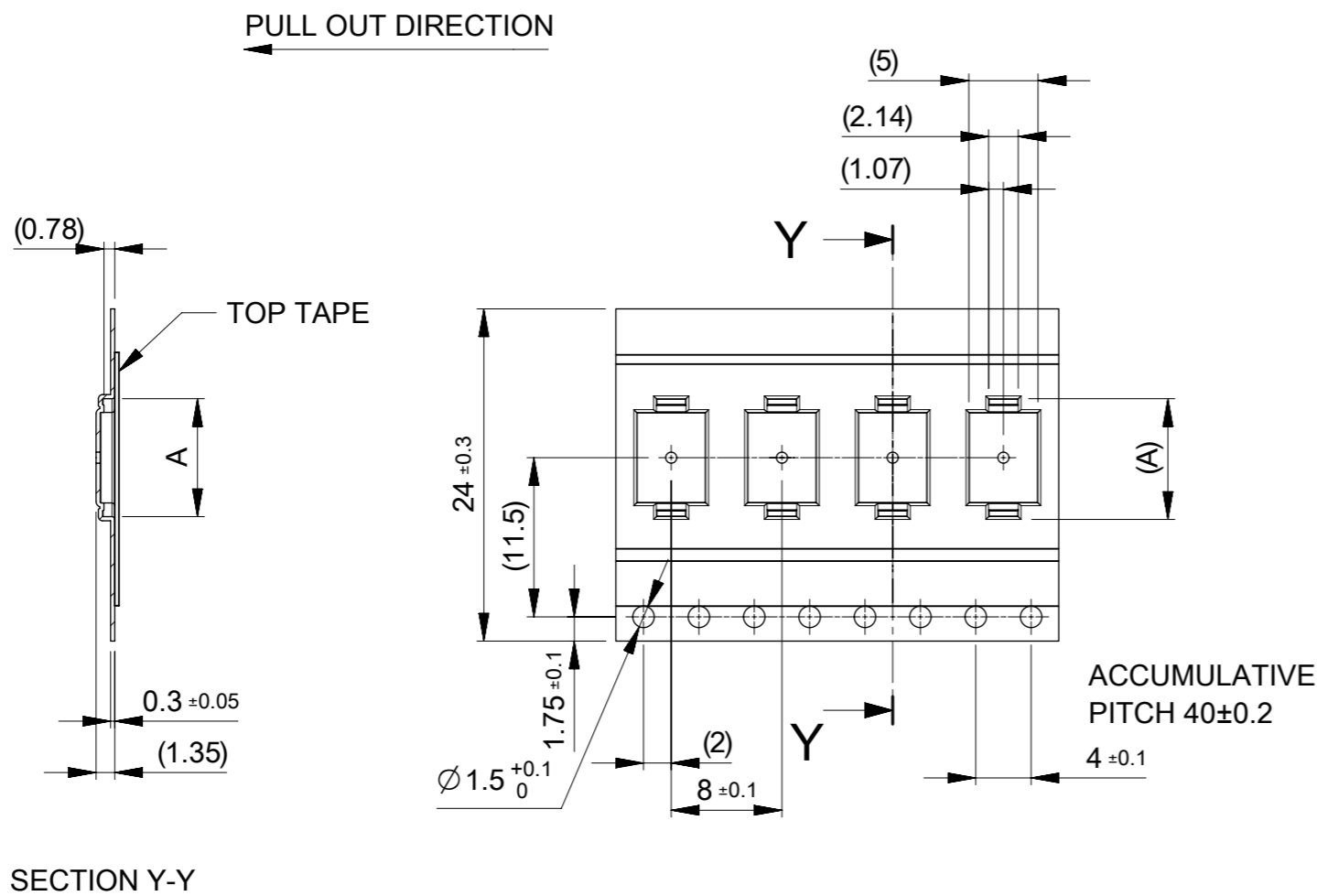
MODEL NO. 505066-\*\*22

THIS DRAWING CONTAINS INFORMATION THAT IS PROPRIETARY TO MOLEX ELECTRONIC TECHNOLOGIES, LLC AND SHOULD NOT BE USED WITHOUT WRITTEN PERMISSION		CURRENT REV DESC:		<b>molex</b>		
DIMENSION UNITS	SCALE	EC NO: 730166				
mm	1:5	DRWN: RAJAGN 2022/11/28		PRODUCT CUSTOMER DRAWING		
GENERAL TOLERANCES (UNLESS SPECIFIED)		CHK'D: YNUKANOBU 2022/11/30		DOCUMENT NUMBER		
ANGULAR TOL ± 1.0 °		APPR: YNAITO 2022/11/30		5050660000		DOC TYPE DOC PART REVISION
4 PLACES ± 0.01	INITIAL REVISION:		2017/03/28		PSD	008
3 PLACES ± 0.03	DRWN: TNISHIDA02		2017/04/03			E
2 PLACES ± 0.05	APPR: TKUSUHARA01					
1 PLACE ± 0.1	DRAFT WHERE APPLICABLE MUST REMAIN WITHIN DIMENSIONS		THIRD ANGLE PROJECTION	DRAWING	SERIES	MATERIAL NUMBER
0 PLACES ± 0.2				A3-SIZE	505066	CUSTOMER
				SEE TABLE	GENERAL	SHEET NUMBER
						1 OF 3



16	21.4	17.4	7.82	505066-3022	○	---	30
			6.42	505066-2222	○	---	22
			6.07	505066-2022	○	---	20
			5.72	505066-1822	---	---	18
			5.02	505066-1422	○	---	14
			4.67	505066-1222	○	---	12
			4.32	505066-1022	○	---	10
			3.97	505066-0822	○	---	8
			3.62	505066-0622	○	---	6
キャリアテープ幅 CARRIER TAPE WIDTH	C	B	(A)	MATERIAL No.	HIGH VOL. TOOL	LOW VOL. TOOL	CIRCUIT
				SAMPLE PREPARATION			

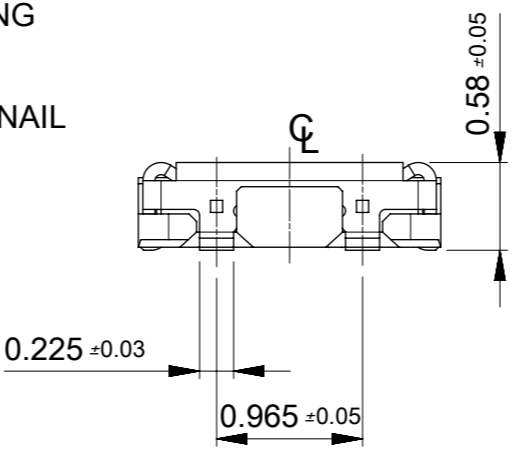
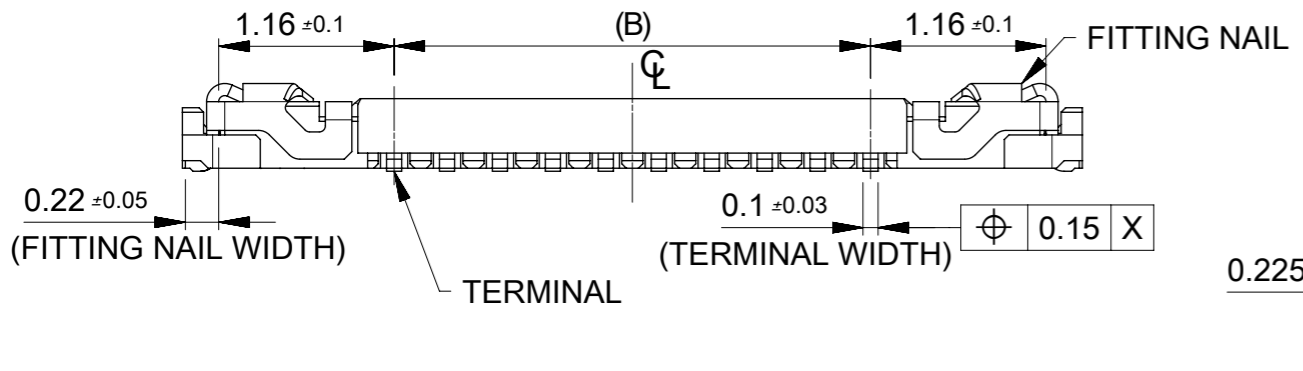
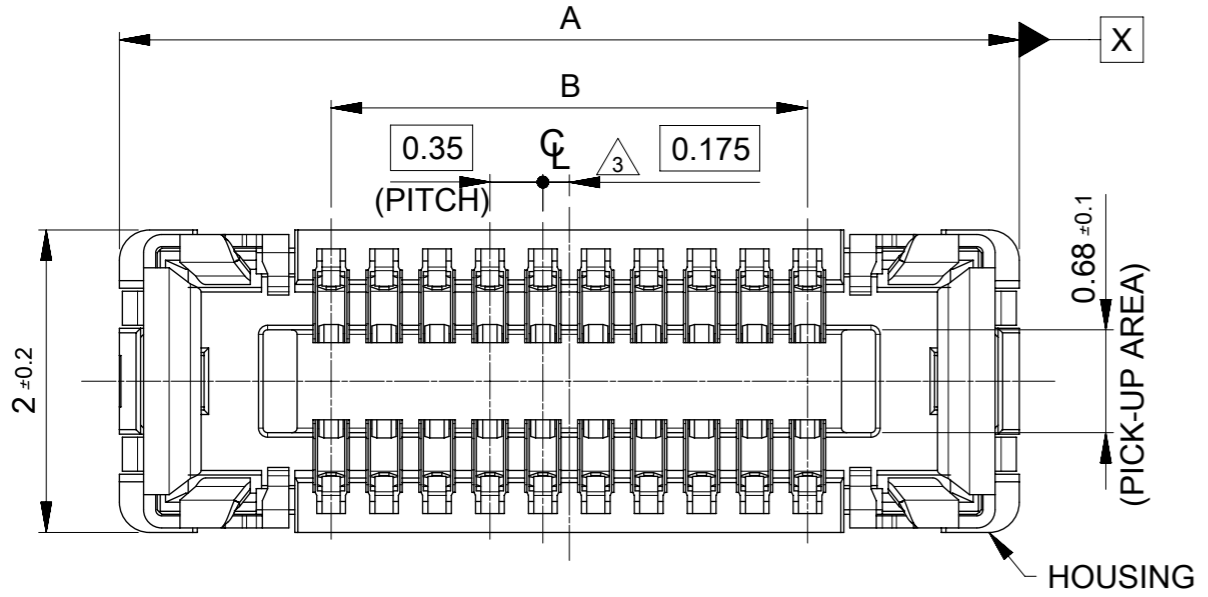
DIMENSION UNITS		SCALE	CURRENT REV DESC:				
mm		2:1					
GENERAL TOLERANCES (UNLESS SPECIFIED)			<p><b>molex</b></p> <p>0.35 BB CONN. H=0.6 SSB6 RP REC ASSY</p> <p>PRODUCT CUSTOMER DRAWING</p> <p>DOCUMENT NUMBER: 5050660000</p> <p>DOC TYPE: PSD</p> <p>DOC PART: 008</p> <p>REVISION: E</p>				
ANGULAR TOL ± 1.0°							
4 PLACES ± 0.01							
3 PLACES ± 0.03							
2 PLACES ± 0.05							
1 PLACE ± 0.1							
0 PLACES ± 0.2			EC NO: 730166 DRWN: RAJAGN 2022/11/28 CHK'D: YNUKANOBU 2022/11/30 APPR: YNAITO 2022/11/30		INITIAL REVISION: DRWN: TNISHIDA02 2017/03/28 APPR: TKUSUHARA01 2017/04/03		
DRAFT WHERE APPLICABLE MUST REMAIN WITHIN DIMENSIONS		THIRD ANGLE PROJECTION	DRAWING	SERIES	MATERIAL NUMBER	CUSTOMER	SHEET NUMBER
			A3-SIZE	505066	SEE TABLE	GENERAL	2 OF 3



24	29.4	25.4	13.77	505066-6422	---	---	64
			13.07	505066-6022	---	---	60
			12.02	505066-5422	○	---	54
			11.32	505066-5022	○	---	50
			10.99	505066-4822	○	---	48
			10.62	505066-4622	---	---	46
			9.92	505066-4222	○	---	42
			9.57	505066-4022	○	---	40
			8.52	505066-3422	○	---	34
8.17	505066-3222	---	---	32			
キャリアテープ幅 CARRIER TAPE WIDTH	C	B	(A)	MATERIAL No.	HIGH VOL TOOL	LOW VOL TOOL	CIRCUIT
				SAMPLE PREPARATION			

THIS DRAWING CONTAINS INFORMATION THAT IS PROPRIETARY TO MOLEX ELECTRONIC TECHNOLOGIES, LLC AND SHOULD NOT BE USED WITHOUT WRITTEN PERMISSION

DIMENSION UNITS mm	SCALE 2:1	CURRENT REV DESC:		<b>molex</b>			
GENERAL TOLERANCES (UNLESS SPECIFIED)		EC NO: 730166					0.35 BB CONN. H=0.6 SSB6 RP REC ASSY
ANGULAR TOL	± 1.0°	DRWN: RAJAGN		2022/11/28			
4 PLACES	± 0.01	CHK'D: YNUKANOBU		2022/11/30			
3 PLACES	± 0.03	APPR: YNAITO		2022/11/30			
2 PLACES	± 0.05	INITIAL REVISION:		DOCUMENT NUMBER			
1 PLACE	± 0.1	DRWN: TNISHIDA02		5050660000		DOC TYPE	
0 PLACES	± 0.2	APPR: TKUSUHARA01		2017/03/28		DOC PART	
DRAFT WHERE APPLICABLE MUST REMAIN WITHIN DIMENSIONS		THIRD ANGLE PROJECTION	DRAWING	SERIES	MATERIAL NUMBER	CUSTOMER	REVISION
			A3-SIZE	505066	SEE TABLE	GENERAL	E
							SHEET NUMBER
							3 OF 3



**NOTES**

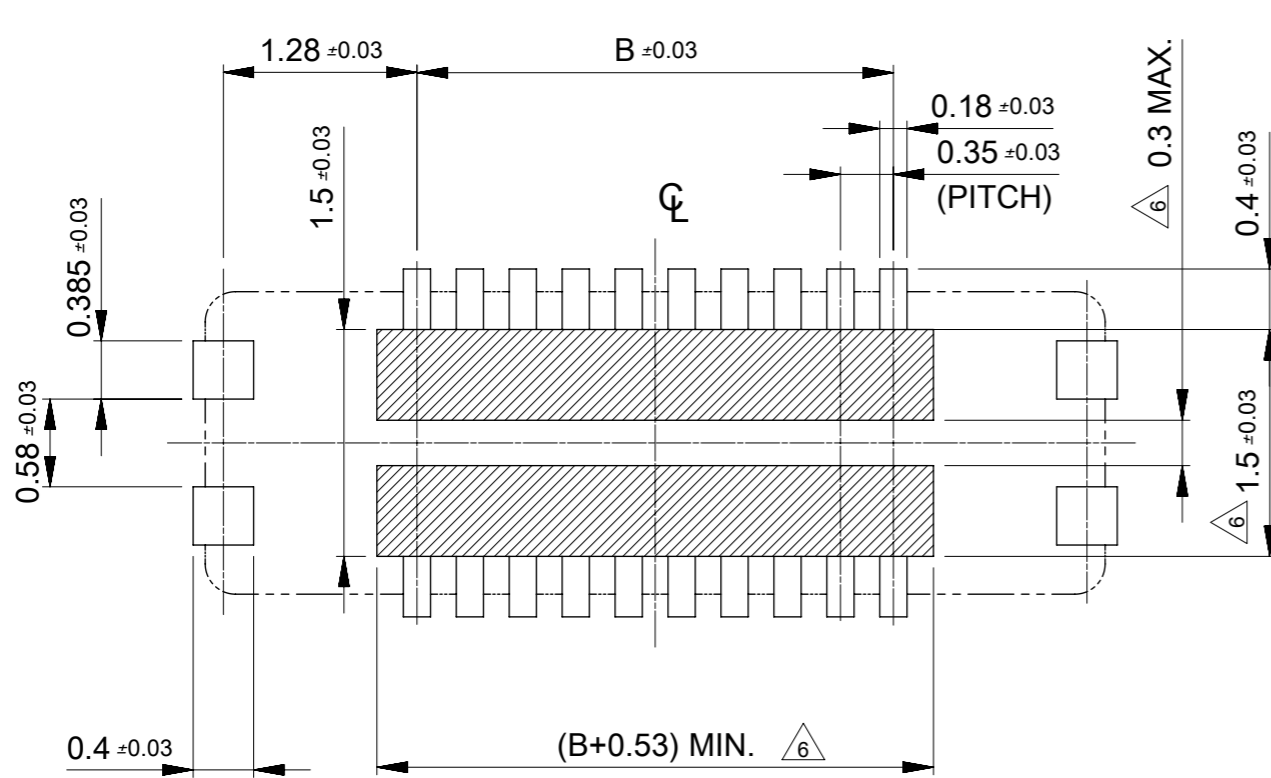
- 1 MATERIAL  
 WAFER: LIQUID CRYSTAL POLYMER UL94V-0 (COLOR: BLACK)  
 TERMINAL: COPPER ALLOY  
 FITTING NAIL: COPPER ALLOY
- 2 PLATING  
 TERMINAL:  
 CONTACT AREA: SEPARATED GOLD PLATING (0.1 MICROMETER MINIMUM).  
 SOLDER TAIL AREA: SEPARATED GOLD PLATING.  
 UNDERPLATE: NICKEL OVERALL.  
 \*DIVIDE INTO PARTS THE GOLD PLATING OF THE CONTACT AND THE TAIL PART BY THE NICKEL PLATING.
- FITTING NAIL:  
 CONTACT AREA: SEPARATED GOLD PLATING (0.1 MICROMETER MINIMUM).  
 SOLDER TAIL AREA: SEPARATED GOLD PLATING.  
 UNDERPLATE: NICKEL OVERALL.  
 \*DIVIDE INTO PARTS THE GOLD PLATING OF THE CONTACT AND THE TAIL PART BY THE NICKEL PLATING.  
 \*EVEN THOUGH GOLD PLATING ON THE TOP SURFACE OF NAIL MIGHT BE THIN, NO FUNCTIONAL PROBLEM.
- 3 APPLY FOR (CIRCUIT/2)=EVEN.
- 4 MATE WITH : 505070-\*\*22/ 505070-\*\*42
- 5 TAIL AND FITTING NAIL COPLANARITY TO BE 0.08 MAXIMUM.
- 6 PROHIBITED AREA OF PATTERN WIRING AND SOLDER.  
 (FOR EACH AREA, THE WIRING THAT TOUCHES ON THE SOLDER CAN BE ATTACHED, THEN COVERED WITH A FILM TO KEEP SOLDER OUT).

11.90	14.70	505066-7022	---	---	70
10.85	13.65	505066-6422	---	---	64
10.15	12.95	505066-6022	---	---	60
9.80	12.60	505066-5822	---	---	58
9.10	11.90	505066-5422	○	---	54
8.40	11.20	505066-5022	○	---	50
8.05	10.85	505066-4822	○	---	48
7.70	10.50	505066-4622	---	---	46
7.00	9.80	505066-4222	○	---	42
6.65	9.45	505066-4022	○	---	40
6.30	9.10	505066-3822	---	---	38
5.60	8.40	505066-3422	○	---	34
5.25	8.05	505066-3222	---	---	32
4.90	7.70	505066-3022	○	---	30
3.85	6.65	505066-2422	○	---	24
3.50	6.30	505066-2222	○	---	22
3.15	5.95	505066-2022	○	---	20
2.80	5.60	505066-1822	---	---	18
2.45	5.25	505066-1622	○	---	16
2.10	4.90	505066-1422	○	---	14
1.75	4.55	505066-1222	○	---	12
1.40	4.20	505066-1022	○	---	10
1.05	3.85	505066-0822	○	---	8
0.70	3.50	505066-0622	○	---	6

B	A	EMBOSSED TAPE PACKAGE	HIGH VOL. TOOL	LOW VOL. TOOL	CIRCUIT
		ORDER NO.	SAMPLE PREPARATION ○ : TOOLED △ : WORK IN PROCESS --- : TOOLING TO BE CONFIRMED		

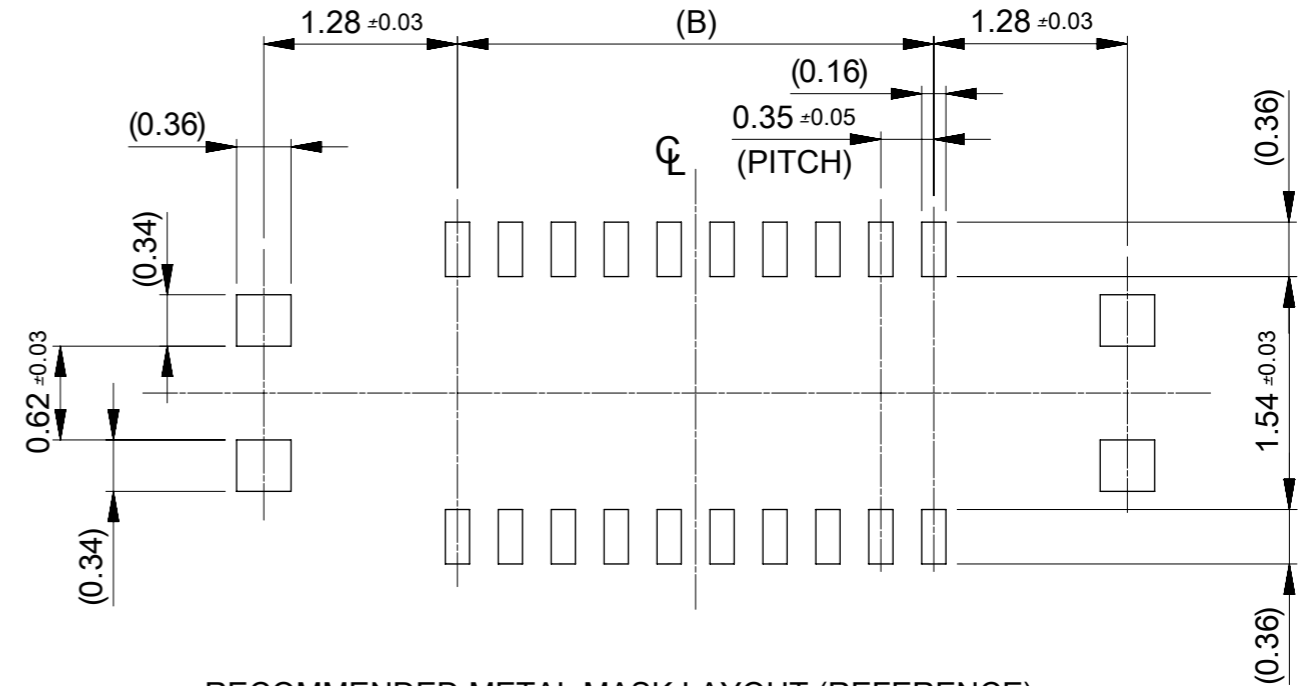
CONNECTOR SERIES No. : 505066-\*\*09

THIS DRAWING CONTAINS INFORMATION THAT IS PROPRIETARY TO MOLEX ELECTRONIC TECHNOLOGIES, LLC AND SHOULD NOT BE USED WITHOUT WRITTEN PERMISSION		CURRENT REV DESC: REVISED		<b>molex</b>	
DIMENSION UNITS mm	SCALE 20:1				
GENERAL TOLERANCES (UNLESS SPECIFIED)		EC NO: 612826		0.35 BB CONN. H=0.6 SSB6 RP	
ANGULAR TOL	± 1.0°	DRWN: GSHARMA	2019/02/22	PRODUCT CUSTOMER DRAWING	
4 PLACES	± 0.001	CHK'D: MSASAO	2019/02/27	DOCUMENT NUMBER	
3 PLACES	± 0.003	APPR: MSASAO	2019/02/27	5050661000	
2 PLACES	± 0.03	INITIAL REVISION:		DOC TYPE	DOC PART
1 PLACE	± 0.1	DRWN: TNISHIDA02	2017/03/28	PSD	016
0 PLACES	± 0.2	APPR: TKUSUHARA01	2017/04/03	C	C
DRAFT WHERE APPLICABLE MUST REMAIN WITHIN DIMENSIONS		THIRD ANGLE PROJECTION	DRAWING	SERIES	SHEET NUMBER
			A3-SIZE	505066	1 OF 2



RECOMMENDED P.W. BOARD PATTERN LAYOUT (REFERENCE)

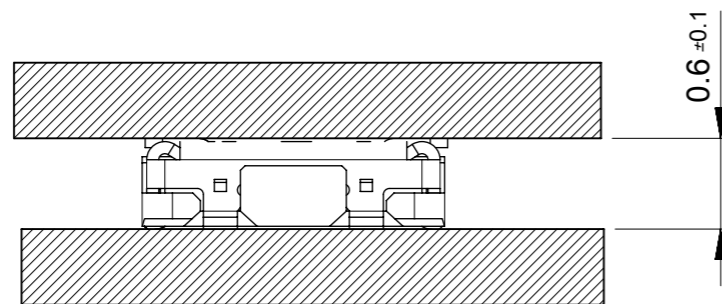
PROHIBITED AREA OF PATTERN WIRING AND SOLDER  
(FOR EACH AREA, THE WIRING THAT TOUCHES ON THE SOLDER CAN BE ATTACHED, THEN COVERED WITH A FILM TO KEEP SOLDER OUT)



RECOMMENDED METAL MASK LAYOUT (REFERENCE)

RECOMMENDED THICKNESS OF METAL MASK : t=0.08mm

RECOMMENDED OPEN APERTURE RATIO OF METAL MASK : 80%



MATED CONDITION

THIS DRAWING CONTAINS INFORMATION THAT IS PROPRIETARY TO MOLEX ELECTRONIC TECHNOLOGIES, LLC AND SHOULD NOT BE USED WITHOUT WRITTEN PERMISSION									
DIMENSION UNITS		SCALE		CURRENT REV DESC: REVISED				<b>molex</b>	
mm		20:1							
GENERAL TOLERANCES (UNLESS SPECIFIED)				EC NO: 612826				0.35 BB CONN. H=0.6 SSB6 RP	
ANGULAR TOL ± 1.0 °				DRWN: GSHARMA 2019/02/22				PRODUCT CUSTOMER DRAWING	
4 PLACES ± 0.001				CHK'D: MSASAO 2019/02/27					
3 PLACES ± 0.003				APPR: MSASAO 2019/02/27					
2 PLACES ± 0.03				INITIAL REVISION:				DOCUMENT NUMBER	
1 PLACE ± 0.1				DRWN: TNISHIDA02 2017/03/28				5050661000	
0 PLACES ± 0.2				APPR: TKUSUHARA01 2017/04/03				PSD 016 C	
DRAFT WHERE APPLICABLE MUST REMAIN WITHIN DIMENSIONS		THIRD ANGLE PROJECTION		DRAWING		SERIES		MATERIAL NUMBER	
				A3-SIZE		505066		CUSTOMER	
						GENERAL		SHEET NUMBER	
								2 OF 2	