

NOTES:

1. ALL DIMENSIONS ARE REFERENCE.

2. MATERIALS:

B HOUSING: ABS OR PBT, UL-94HB, BLACK OR SAME COLOR AS INSERT.

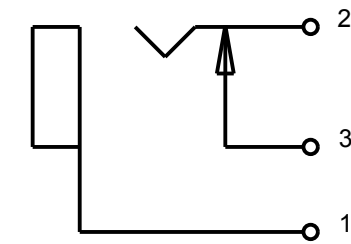
B COLOR INSERT: POM OR PBT, UL-94HB

SHELL & SLEEVE TERMINAL: COPPER ALLOY, NICKEL OR GOLD PLATED

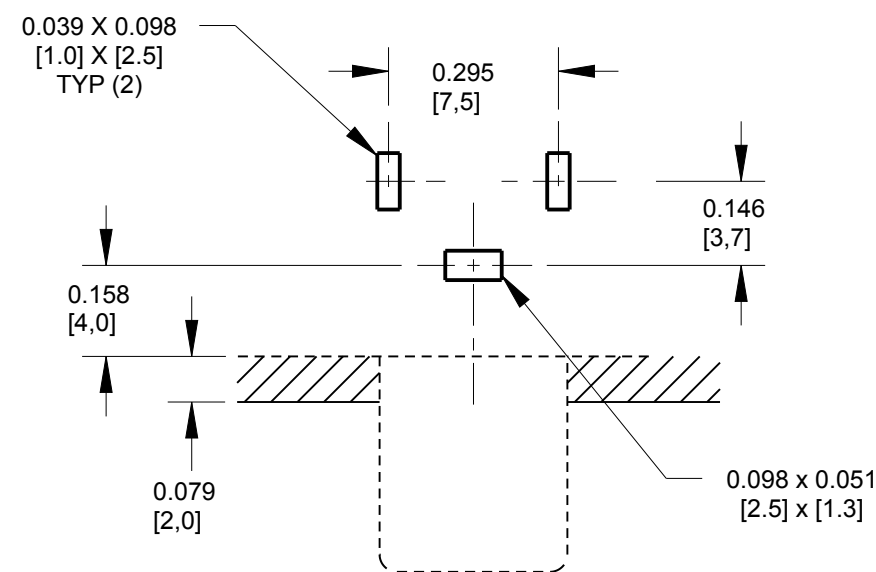
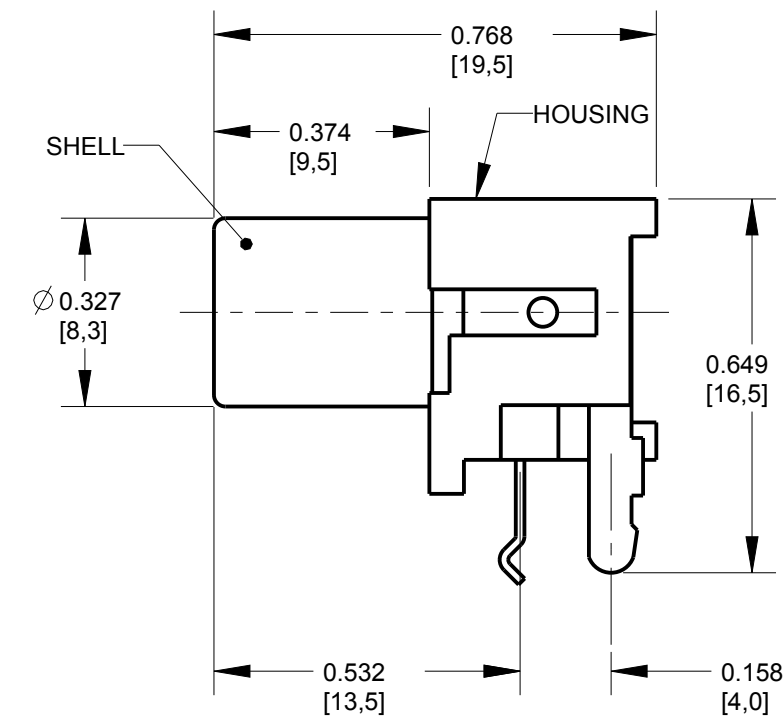
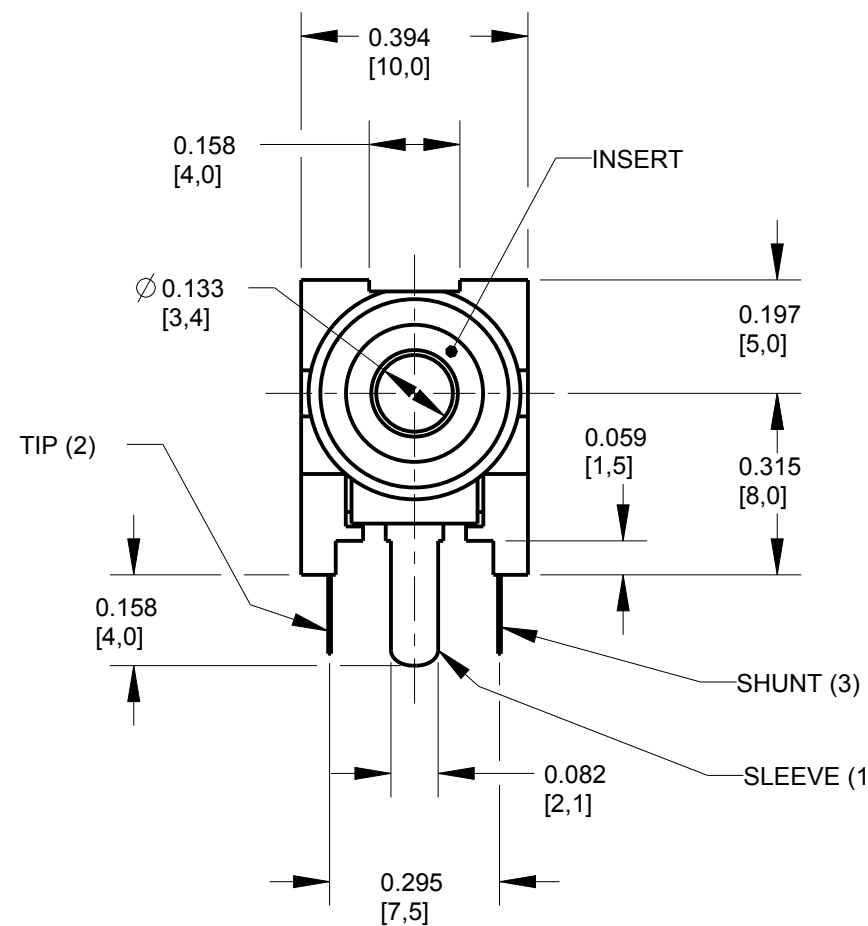
TIP & SHUNT TERMINALS: COPPER ALLOY, TIN PLATED

3. THIS PART IS RoHS COMPLIANT

PART NUMBER	INSERT COLOR	SHELL AND SLEEVE TERMINAL FINISH
PJРАН1X1U01X	BLACK	NICKEL PLATED
PJРАН1X1U01AUX	BLACK	GOLD PLATED
PJРАН1X1U02X	WHITE	NICKEL PLATED
PJРАН1X1U02AUX	WHITE	GOLD PLATED
PJРАН1X1U03X	RED	NICKEL PLATED
PJРАН1X1U03AUX	RED	GOLD PLATED
PJРАН1X1U04X	YELLOW	NICKEL PLATED
PJРАН1X1U04AUX	YELLOW	GOLD PLATED
PJРАН1X1U07X	ORANGE	NICKEL PLATED



SCHEMATIC



**P.C. BOARD LAYOUT
COMPONENT SIDE**

CUSTOMER DRAWING

REV	ECO NUMBER	DATE	BY	APVD																																												
B	27929	08-17-17	PC	TJK																																												
A	25181	1-13-06	JL	TJK																																												
REVISIONS					DO NOT SCALE DRAWING					<p>★ STAR SYMBOL DENOTES CRITICAL DIMENSION</p> <p>UNLESS OTHERWISE SPECIFIED</p> <p>1. ALL DIMENSIONS IN INCHES -TWO PLACE DECIMALS ±0.01 -THREE PLACE DECIMALS ±0.005 -ANGLES ±1° -ALL DIA. CONCENTRIC WITHIN 0.005 T.I.R.</p> <p>2. FEATURES ON THE SAME CENTERLINE MUST BE ALIGNED WITHIN ±0.002</p> <p>3. REMOVE ALL BURRS</p>																																						
<p>THIS DRAWING DESCRIBES A DESIGN CONSIDERED PROPRIETARY IN NATURE, DEVELOPED AND MANUFACTURED BY SWITCHCRAFT INC. AND IS RELEASED ON A CONFIDENTIAL BASIS FOR IDENTIFICATION PURPOSES ONLY.</p> <table border="1"> <tr> <td>SIZE</td> <td>WIDTH</td> <td>MULT</td> <td>LBS/M</td> <td>TEMPER</td> </tr> </table>										SIZE	WIDTH	MULT	LBS/M	TEMPER	<table border="1"> <tr> <td>FINISH</td> <td colspan="3">MATERIAL</td> </tr> <tr> <td>SPEC No.</td> <td colspan="3">SPEC No.</td> </tr> <tr> <td>FIRST USED ON</td> <td colspan="3">SCALE</td> </tr> <tr> <td></td> <td colspan="3">3:1</td> </tr> <tr> <td>DATE DRAWN</td> <td>BY</td> <td>CHKD</td> <td>APVD</td> </tr> <tr> <td>13-Jan-06</td> <td>JL</td> <td>TJK</td> <td>TJK</td> </tr> <tr> <td></td> <td></td> <td>1-13-06</td> <td>1-13-06</td> </tr> </table>						FINISH	MATERIAL			SPEC No.	SPEC No.			FIRST USED ON	SCALE				3:1			DATE DRAWN	BY	CHKD	APVD	13-Jan-06	JL	TJK	TJK			1-13-06	1-13-06
SIZE	WIDTH	MULT	LBS/M	TEMPER																																												
FINISH	MATERIAL																																															
SPEC No.	SPEC No.																																															
FIRST USED ON	SCALE																																															
	3:1																																															
DATE DRAWN	BY	CHKD	APVD																																													
13-Jan-06	JL	TJK	TJK																																													
		1-13-06	1-13-06																																													
NAME PHONO JACK - RIGHT ANGLE 1 POS, PC MOUNT, UNSHIELDED, RoHS										<p>Switchcraft</p> <p>SHEET 1 OF 1</p> <p>PART No. PJРАН1X1U__X SERIES</p> <p>REV B</p>																																						