

24-BIT QUADRATURE COUNTER

May 2022

FEATURES.

- Programmable count modes: non-quadrature, up/down, quadrature X1, X2 or X4, binary, BCD, 24-hour clock, mod-N and single cycle.
- Up to 40MHz count frequency in non-quadrature mode.
- 24-bit counter, 24-bit preset register and 24-bit comparator.
- 8-bit bi-directional data bus for uC interface.
- Readable status register.
- Carry, borrow, carry toggle and borrow toggle outputs.
- Compare and compare toggle outputs for counter to preset register equality.
- Programmable inputs for dynamic hardware control.
- TTL and CMOS compatible IOs.
- Operating voltage: 3V to 5.5V.
- Package types: DIP (LS7166B), SOIC (LS7166B-S), TSSOP (LS7166B-TS24).

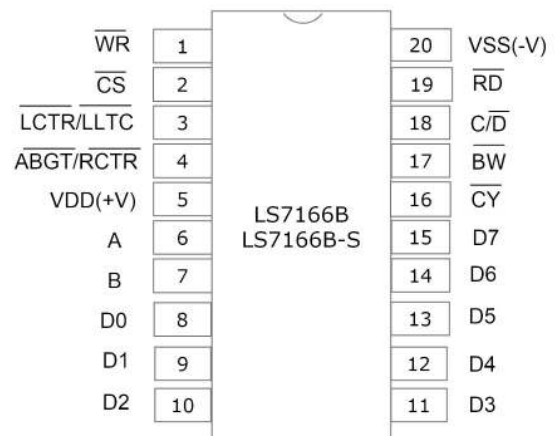
GENERAL DESCRIPTION.

LS7166B is a CMOS, 24-bit counter which can be programmed to operate in several functional modes. The operating modes are set up by writing configuration data into control registers (see fig 8). There are three 6-bit and one 2-bit control registers for configuring the functional modes. In addition to the control registers there is a 5-bit status register which indicates the instantaneous device status. A 24-bit preset register is available for presetting the counter. It also serves as the division factor in the mod-N count mode. The device communicates with a host controller over an 8-bit 3-state bidirectional data bus through read/write operations. In addition, a number of discrete inputs and outputs facilitate instantaneous hardware control functions and instantaneous status indication.

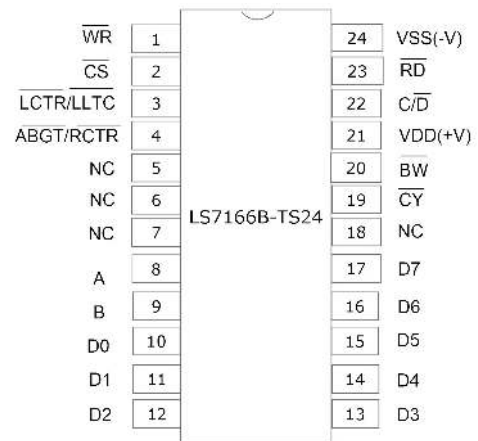
REGISTER DESCRIPTION.

Hardware registers are accessible via the data bus (D7-D0) for read or write when CS = 0. The C/D input selects between a control register (C/D = 1) and a data register (C/D = 0) during a read or write operation (see table 1).

PIN ASSIGNMENTS- Top View



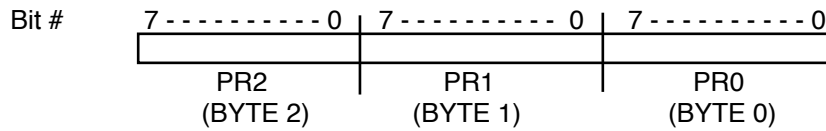
20-pin DIP and SOIC



24-pin TSSOP

The information included herein is believed to be accurate and reliable. However, LSI Computer Systems, Inc. assumes no responsibilities for inaccuracies, nor for any infringements of patent rights of others which may result from its use.

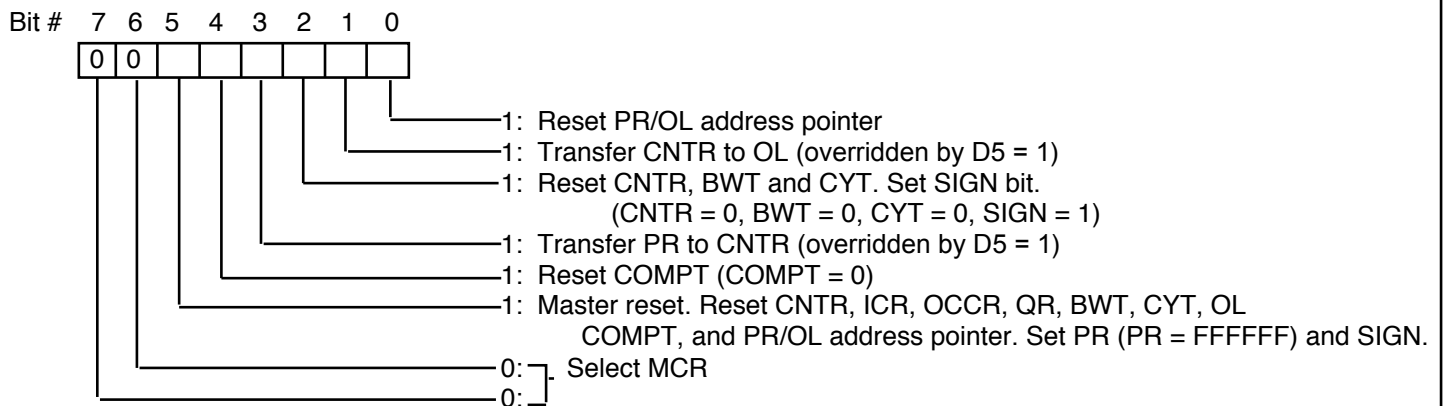
PR (Preset register). The PR is the input port for the CNTR. The CNTR is loaded with a 24 bit data via the PR. The data is first written into the PR in 3 WRITE cycle sequence of Byte 0 (PR0), Byte 1 (PR1) and Byte 2 (PR2). The address pointer for PR0/PR1/PR2 is automatically incremented with each write cycle. Accessed by: WRITE when $C/\bar{D} = 0$, $\bar{CS} = 0$.



Standard Sequence for Loading PR and Reading CNTR:

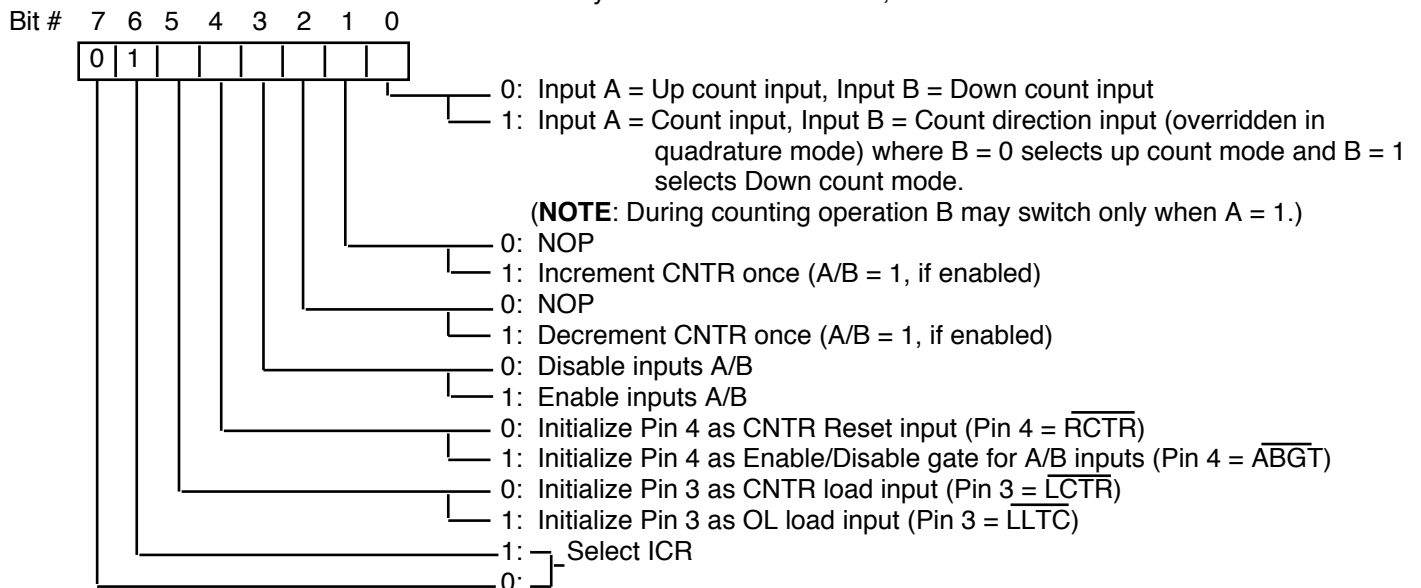
- 1 → MCR ; Reset PR address pointer
- WRITE PR ; Load Byte 0 and into PR0 increment address
- WRITE PR ; Load Byte 1 and into PR1 increment address
- WRITE PR ; Load Byte 2 and into PR3 increment address
- 8 → MCR ; Transfer PR to CNTR

MCR (Master Control Register). Performs register reset and load operations. Writing a "non-zero" word to MCR does not require a follow-up write of an "all-zero" word to terminate a designated operation. Accessed by: WRITE when $C/\bar{D} = 1$, $\bar{CS} = 0$.



NOTE: Control functions may be combined.

ICR (Input Control Register). Initializes counter input operating modes. Accessed by: WRITE when $C/\bar{D} = 1$, $\bar{CS} = 0$.



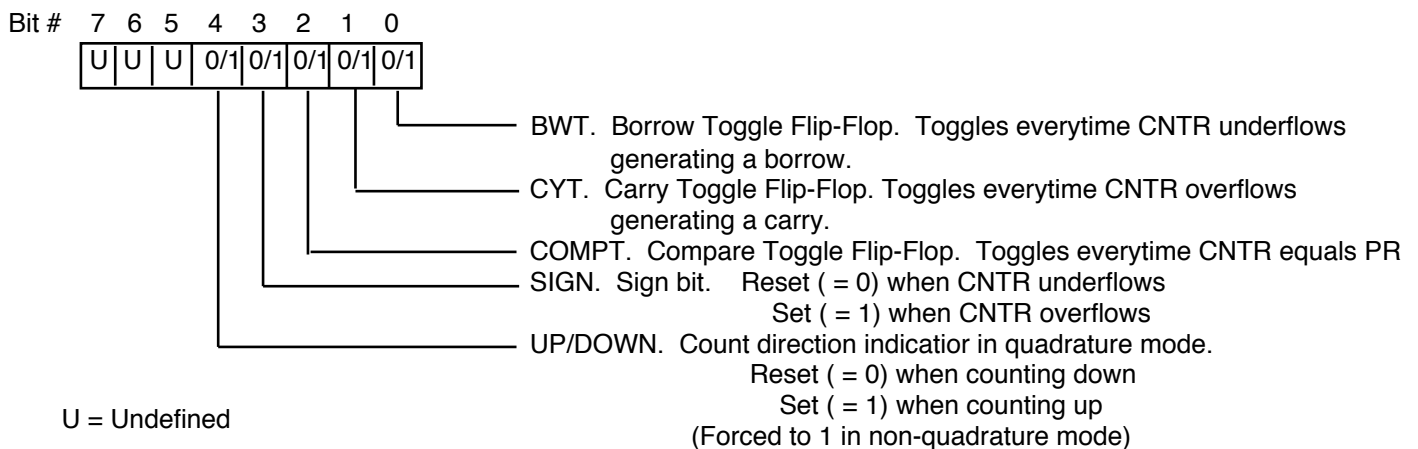
NOTE: Control functions may be combined.

TABLE 1 - Register Addressing Modes

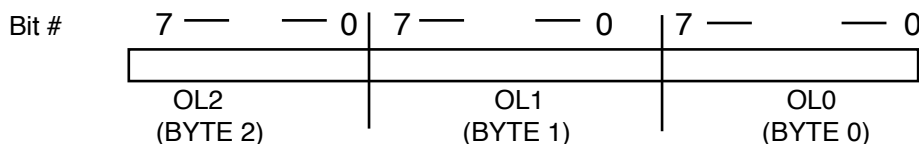
D7	D6	C/D	R \bar{D}	$\bar{W}R$	$\bar{C}S$	COMMENT
X	X	X	X	X	1	Disable Chip for READ/WRITE
0	0	1	1	$\bar{1}$	0	Write to Master Control Register (MCR)
0	1	1	1	$\bar{1}$	0	Write to input control register (ICR)
1	0	1	1	$\bar{1}$	0	Write to output/counter control register (OCCR)
1	1	1	1	$\bar{1}$	0	Write to quadrature register (QR)
X	X	0	1	$\bar{1}$	0	Write to preset register (PR) and increment register address counter.
X	X	0	$\bar{1}$	1	0	Read output latch (OL) and increment register address counter
X	X	1	$\bar{1}$	1	0	Read output status register (OSR).

X = Don't Care

OSR (Output Status Register). Indicates CNTR status: Accessed by: READ when $C/\bar{D} = 1, \bar{C}S = 0$.



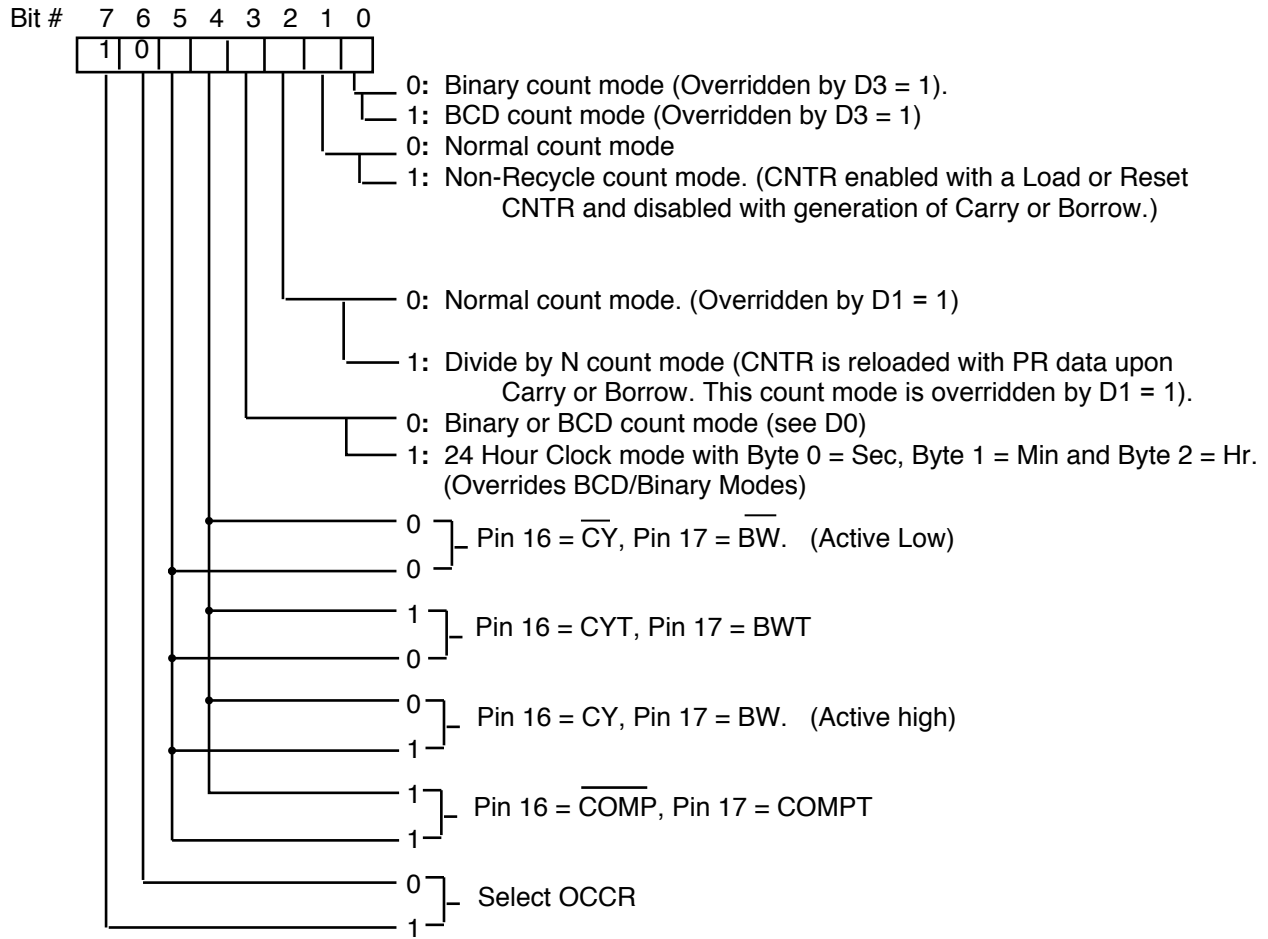
OL(Output latch). The OL is the output port for the CNTR. The 24 bit CNTR Value at any instant can be accessed by performing a CNTR to OL transfer and then reading the OL in 3 READ cycle sequence of Byte 0 (OL0), Byte 1 (OL1) and Byte 2 (OL2). The address pointer for OL0/OL1/OL2 is automatically incremented with each READ cycle. Accessed by: READ when $C/\bar{D} = 0, \bar{C}S = 0$.



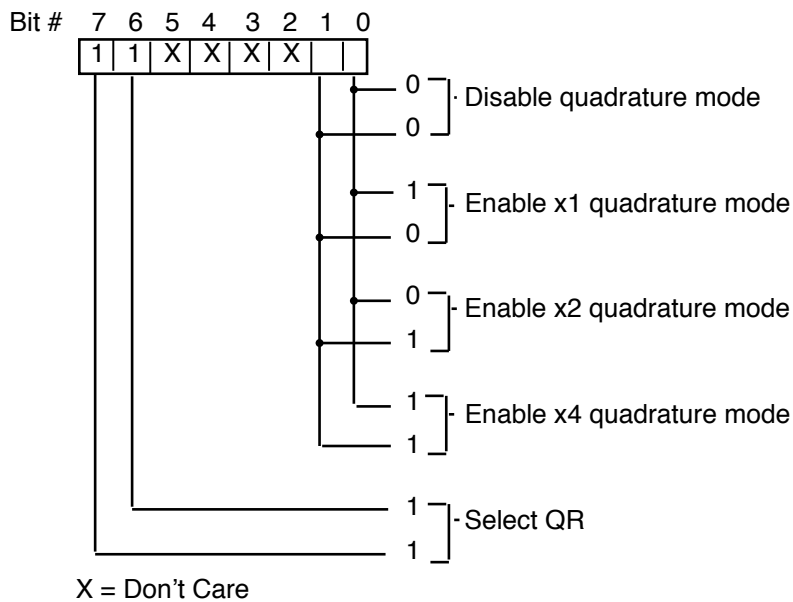
Standard Sequence for Loading and Reading OL:

- 3 \rightarrow MCR ; Reset OL address pointer and Transfer CNTR to OL
- READ OL ; Read Byte 0 and increment address
- READ OL ; Read Byte 1 and increment address
- READ OL ; Read Byte 2 and increment address

OCCR (Output Control Register) Initializes CNTR and output operating modes.
 Accessed by : WRITE when $\overline{C/D} = 1$, $\overline{CS} = 0$.



QR (Quadrature Register). Selects quadrature count mode (See Fig. 7)
 Accessed by: WRITE when $\overline{C/D} = 1$, $\overline{CS} = 0$.



I/O DESCRIPTION:**(See REGISTER DESCRIPTION for I/O Programming.)**

Data-Bus (D0 - D7) (Pin 8 - Pin 15). The 8-line data bus is a three-state I/O bus for interfacing with the system bus.

\overline{CS} (Chip Select Input) (Pin 2). A logical "0" at this input enables the chip for Read and Write.

\overline{RD} (Read Input) (Pin 19). A logical "0" at this input enables the OSR and the OL to be read on the data bus.

\overline{WR} (Write Input) (Pin 1). A logical "0" at this input enables the data bus to be written into the control and data registers.

C/\overline{D} (Control/Data Input) (Pin 18). A logical "1" at this input enables a control word to be written into one of the four control registers or the OSR to be read on the I/O bus. A logical "0" enables a data word to be written into the PR, or the OL to be read on the I/O bus.

A (Pin 6). Input A is a programmable count input capable of functioning in three different modes, such as up count input, down count input and quadrature input. In non-quadrature mode, the counter advances on the rising edge of Input A

B (Pin 7). Input B is also a programmable count input that can be programmed to function either as down count input, or count direction control gate for input A, or quadrature input. In non-quadrature mode, and when programmed as the Down Count input, the counter advances on the rising edge of Input B. When B is programmed as the count direction control gate, B = 0 enables A as the Up Count input and B = 1 enables A as the Down Count input. When programmed as the direction input, B can switch state only when A is high.

$\overline{ABGT}/\overline{RCTR}$ (Pin 4). This input can be programmed to function as either inputs A and B enable gate or as external counter reset input. A logical "0" is the active level on this input. In non-quadrature mode, if Pin 4 is programmed as A and B enable gate input, it may switch state only when A is high (if A is clock and B is direction) or when both A and B are high (if A and B are clocks). In quadrature mode, if Pin 4 is programmed as A and B enable gate, it may switch state only when either A or B switches.

$\overline{LCTR}/\overline{LLTC}$ (Pin 3) This input can be programmed to function as the external load command input for either the CNTR or the OL. When programmed as counter load input, the counter is loaded with the data contained in the PR. When programmed as the OL load input, the OL is loaded with data contained in the CNTR. A logical "0" is the active level on this input.

\overline{CY} (Pin 16) This output can be programmed to serve as one of the following:

- A. \overline{CY} . Complemented Carry out (active "0").
- B. CY. True Carry out (active "1").
- C. CYT. Carry Toggle flip-flop out.
- D. \overline{COMP} . Comparator out (active "0")

\overline{BW} (Pin 17) This output can be programmed to serve as one of the following:

- A. \overline{BW} . Complemented Borrow out (active "0").
- B. BW. True Borrow out (active "1").
- C. BWT. Borrow Toggle flip-flop out.
- D. COMPT. Comparator Toggle output.

VDD (Pin 5) Supply voltage positive terminal.

VSS (Pin 20) Supply voltage negative terminal.

Absolute Maximum Ratings:

Parameter	Symbol	Values	Unit
Voltage at any input	V_{IN}	$V_{SS} - 0.3$ to $V_{DD} + 0.3$	V
Operating Temperature	T_A	-40 to +125	$^{\circ}C$
Storage Temperature	T_{STG}	-65 to +150	$^{\circ}C$
Supply Voltage	$V_{DD} - V_{SS}$	+7.0	V

DC Electrical Characteristics. (All voltages referenced to VSS.)

$T_A = 0^{\circ}$ to $85^{\circ}C$, $V_{DD} = 3V$ to $5.5V$, $f_c = 0$, unless otherwise specified)

Parameter	Symbol	Min. Value	Max. Value	Unit	Remarks
Supply Voltage	V_{DD}	3.0	5.5	V	-
Supply Current	I_{DD}	-	350	μA	Outputs open
Input Low Voltage	V_{IL}	0	0.8	V	-
Input High Voltage	V_{IH}	2.0	V_{DD}	V	-
Output Low Voltage	V_{OL}	-	0.5	V	4mA Sink, $V_{DD} = 5V$
Output High Voltage	V_{OH}	4.4	-	V	4mA Source, $V_{DD} = 5V$
Input Current	-	-	15	nA	Leakage current
Output Source Current	I_{SRC}	4	-	mA	$V_{OH} = 4.4V$, $V_{DD} = 5V$
Output Sink Current	I_{SINK}	4	-	mA	$V_{OL} = 0.5V$, $V_{DD} = 5V$
Data Bus Off-State Leakage Current	-	-	15	nA	-

TRANSIENT CHARACTERISTICS (See Timing Diagrams in Fig. 2 thru Fig. 7,
VDD = 3V to 5.5V, TA = 0° to 85°C, unless otherwise specified)

Parameter	Symbol	Min.Value	Max.Value	Unit
Clock A/B "Low" (Note 1)	Tcl	15	No Limit	ns
Clock A/B "High" (Note 1)	Tch	10	No Limit	ns
Clock A/B Frequency (Note 1)	fc	0	40	MHz
UP/DN Reversal Delay (Note 1)	Tudd	30	-	ns
LCTR Positive edge to the next A/B positive or negative edge delay	TLC	30	-	ns
Clock A/B to CY/BW/COMP "low" propagation delay	TCBL	-	65	ns
Clock A/B to CY/BW/COMP "high" propagation delay	TCBH	-	85	ns
LCTR and LLTC pulse width	TLCW	60	-	ns
Clock A/B to CYT, BWT and COMPT "high" propagation delay	TTFH	-	100	ns
Clock A/B to CYT, BWT and COMPT "low" propagation delay	TTFL	-	100	ns
WR pulse width	TWR	60	-	ns
RD to data out delay (CL=20pF)	TRD	-	11	ns
CS, RD Terminate to Data-Bus Tri-State	TRT	-	30	ns
Data-Bus set-up time for WR	TDS	30	-	ns
Data-Bus hold time for WR	TDH	15	-	ns
CS set-up time for RD	TSRS	0	-	ns
CS hold time for RD	TSRH	0	-	ns
Back to Back RD delay	TRR	60	-	ns
RD to WR delay	-	60	-	ns
C/D set-up time for RD	TCRS	0	-	ns
C/D hold time for RD	TCRH	15	-	ns
C/D set-up time for WR	TCWS	30	-	ns
C/D hold time for WR	TCWH	15	-	ns
CS set-up time for WR	TSWS	60	-	ns
CS hold time for WR	TSWH	0	-	ns
Back to Back WR delay	Tww	60	-	ns
WR to RD delay	-	60	-	ns
Quadrature Mode:				
Clock A/B Validation delay	TCQV	-	180	ns, VDD = 5V
A and B phase delay	TPH	230	-	ns, VDD = 5V
Clock A/B frequency	fcQ	-	1.1	MHz, VDD = 5V
CY, BW, COMP pulse width	TCBW	120	170	ns, VDD = 5V

NOTE 1: In non-quadrature mode only.

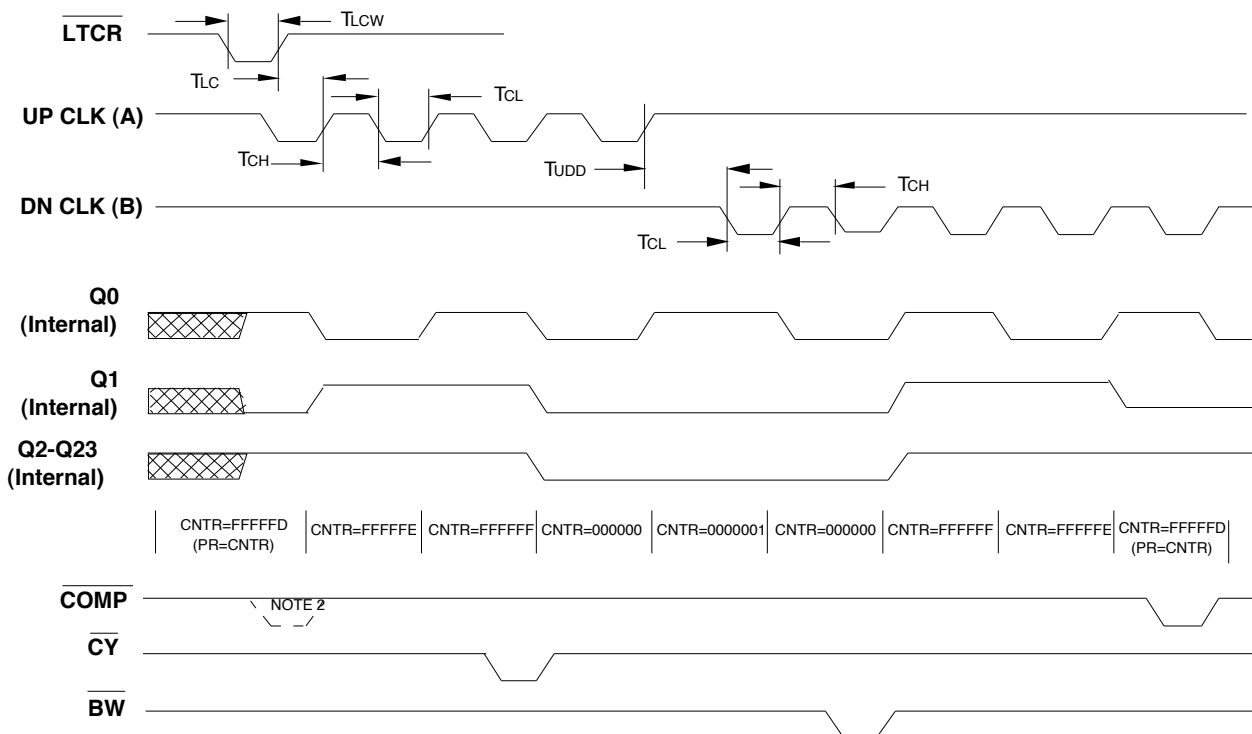


FIGURE 2 . LOAD COUNTER, UP CLOCK, DOWN CLOCK, COMPARE OUT, CARRY, BORROW

NOTE 1: The counter in this example is assumed to be operating in the binary mode.

NOTE 2: No COMP output is generated here, although PR = CNTR. COMP output is disabled with a counter load command and enabled with the rising edge of the next clock, thus eliminating invalid COMP outputs whenever the CNTR is loaded from the PR.

NOTE 3: When UP Clock is active, the DN Clock should be held "HIGH" and vice versa.

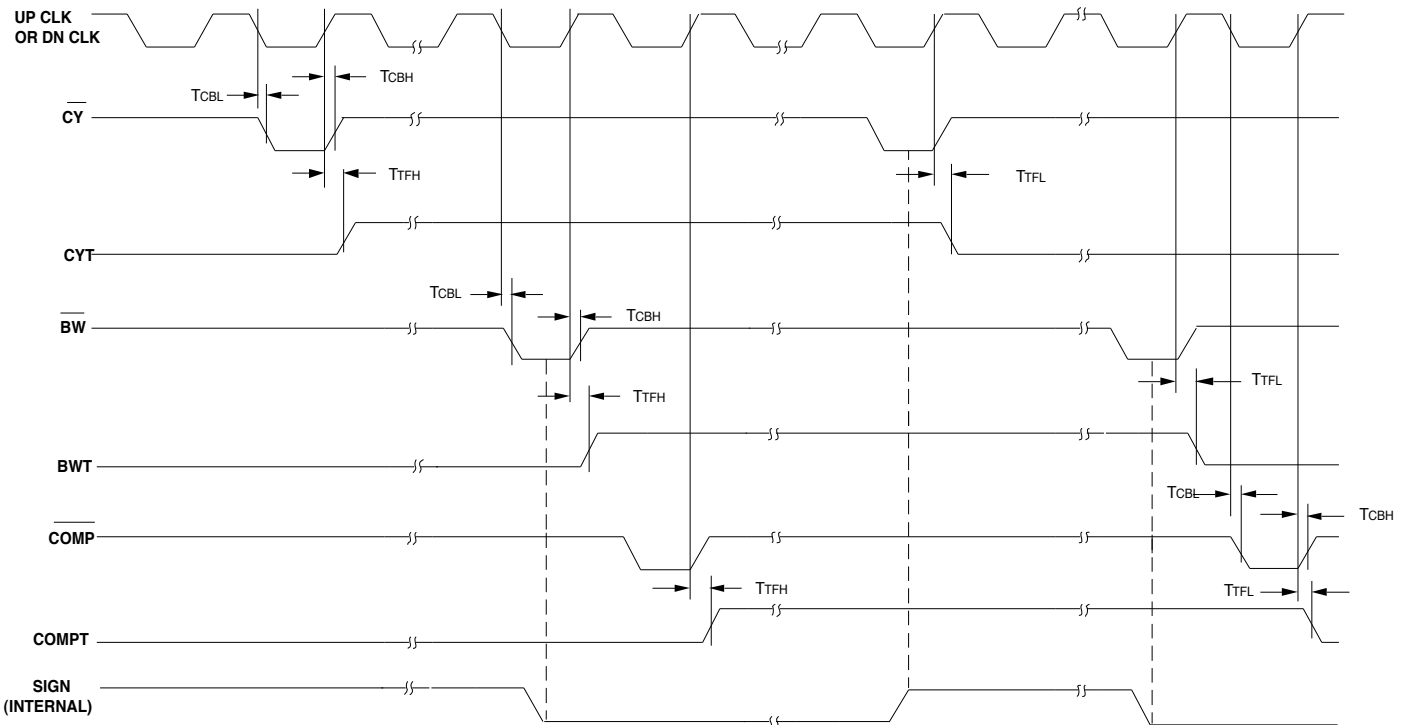


FIGURE 3. CLOCK TO $\overline{CY}/\overline{BW}$ OUTPUT PROPAGATION DELAYS

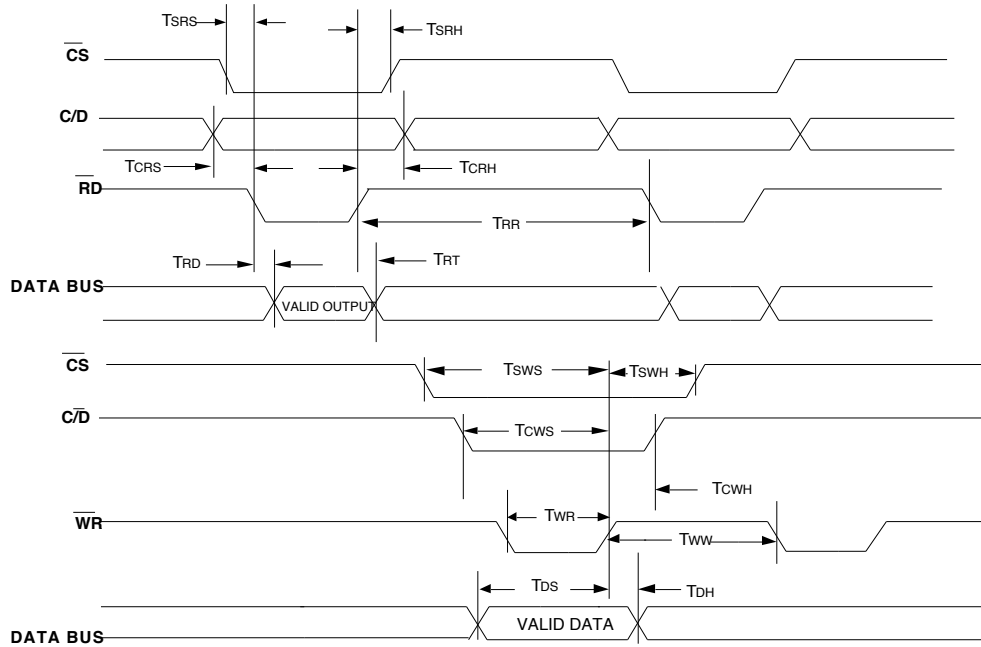
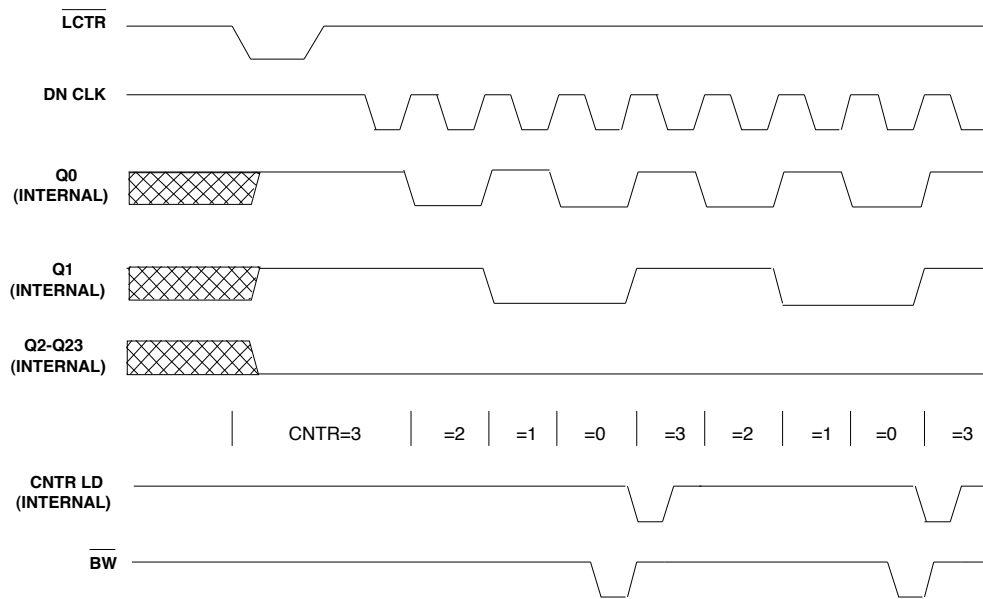


FIGURE 4. READ/WRITE CYCLES



NOTE: EXAMPLE OF DIVIDE BY 4 IN DOWN COUNT MODE

FIGURE 5. DIVIDE BY N MODE

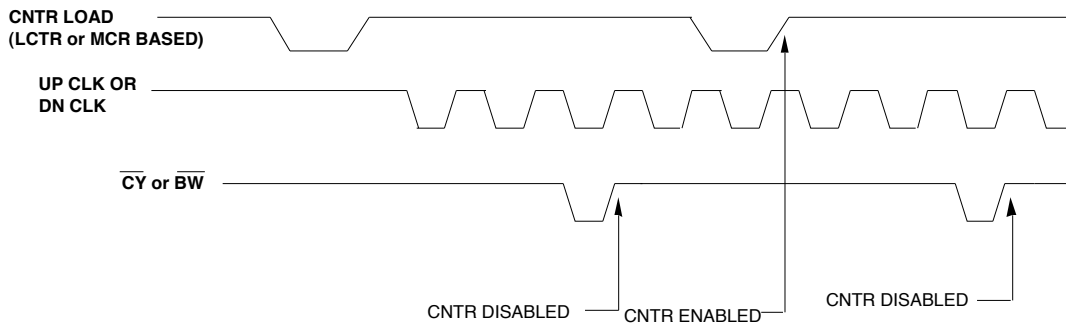


FIGURE 6. CYCLE ONCE MODE

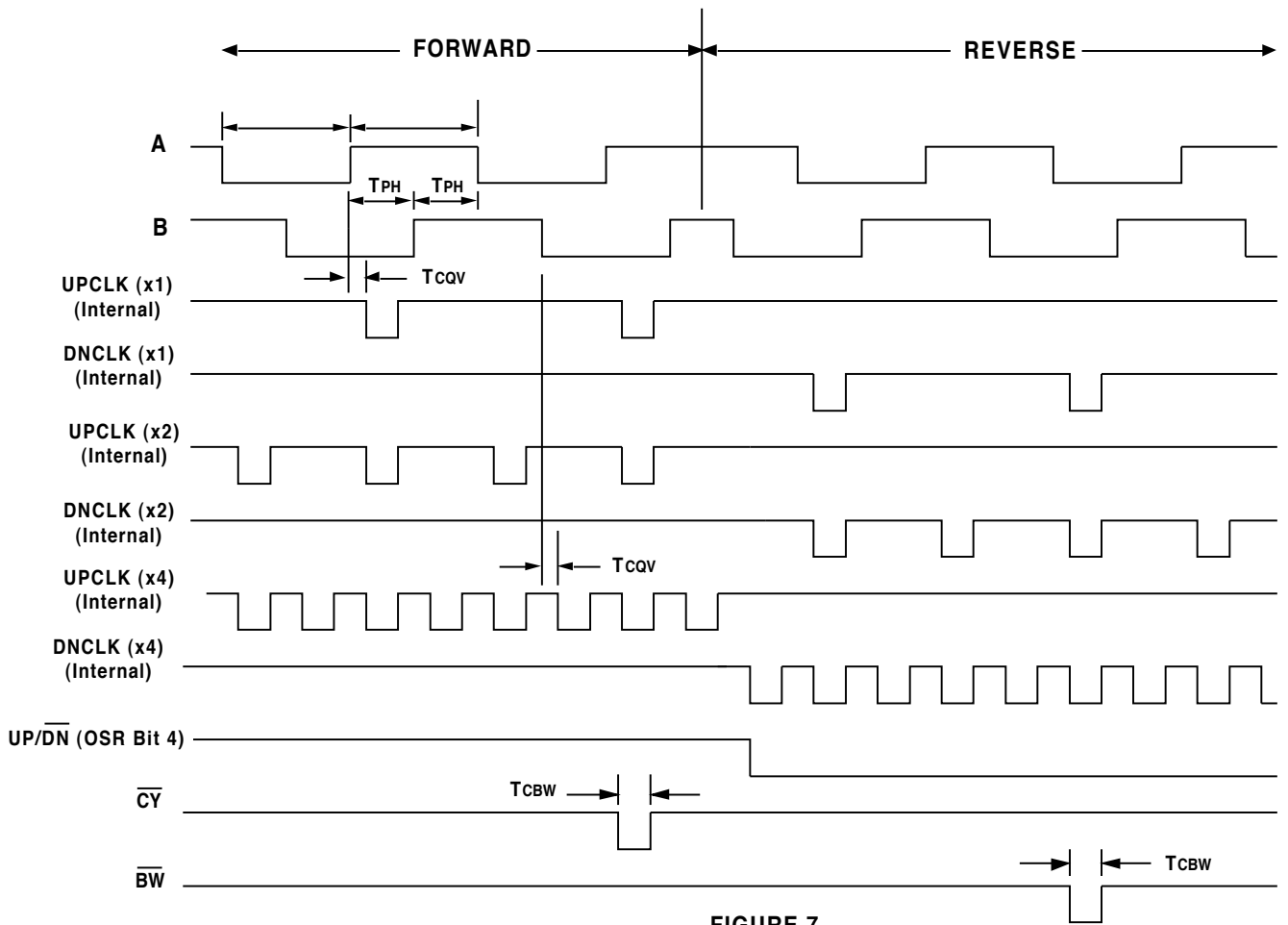


FIGURE 7.
QUADRATURE MODE INTERNAL CLOCKS

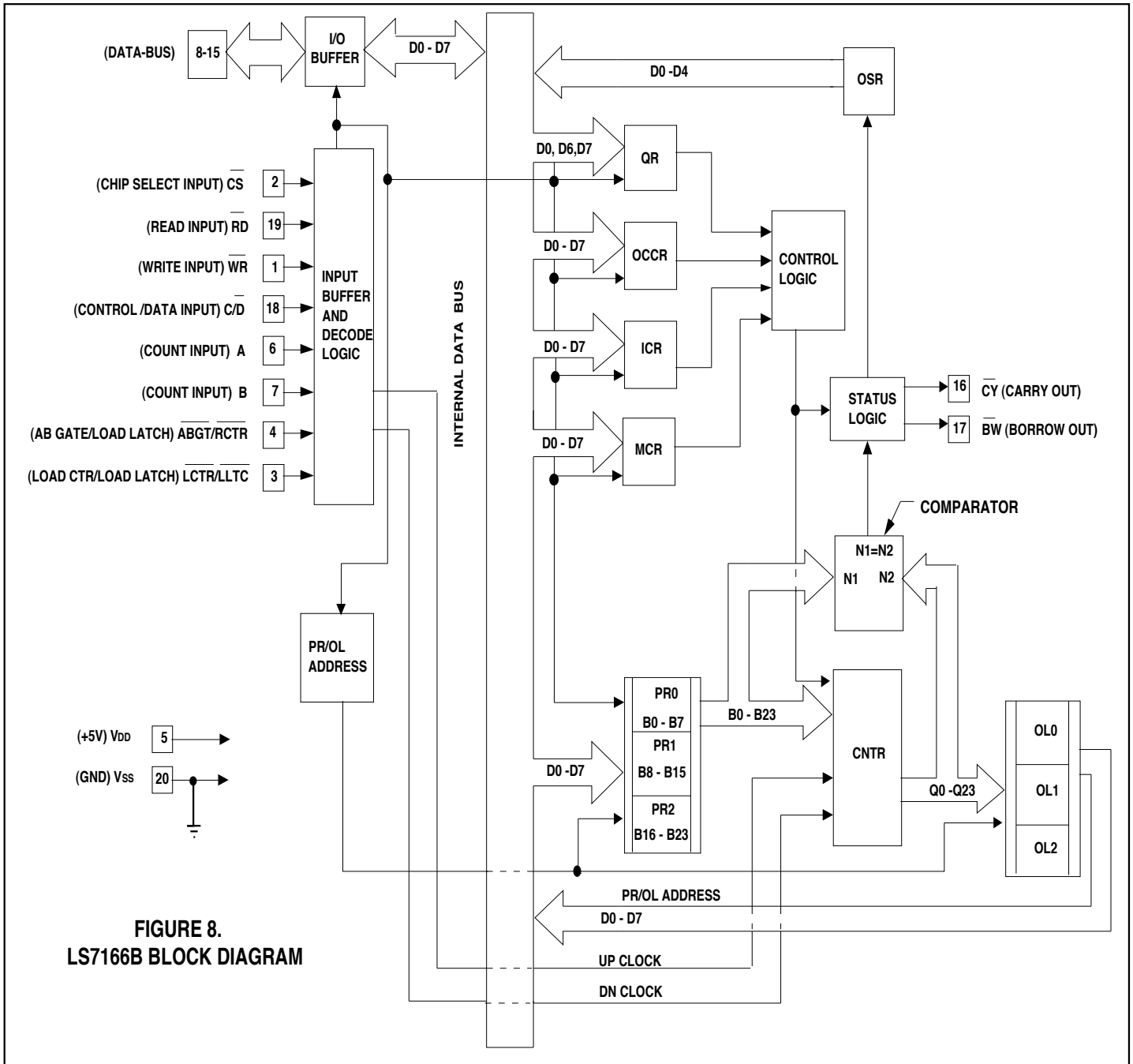
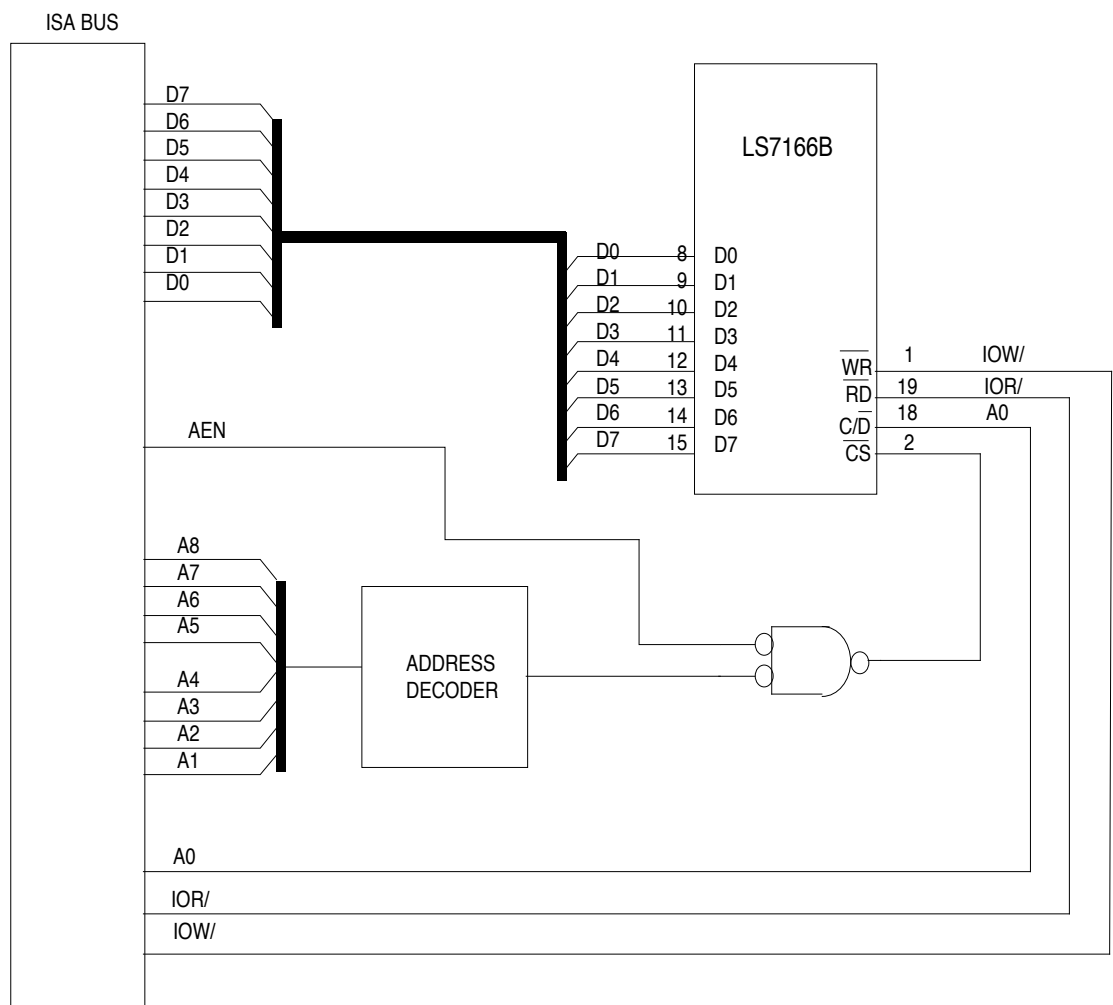


FIGURE 8.
LS7166B BLOCK DIAGRAM

FIGURE 10. LS7166B INTERFACE EXAMPLE



C Sample Routines for Interfacing with LS7166B

```
#include <stdio.h>
#include <stdlib.h>
#include <conio.h>

#define DATAMODE(arg) (arg + 0)
#define CTRLMODE(arg) (arg + 1)

/*****/
/* MCR (Master Control Register) */

/* Select MCR */
#define MCR(arg) (arg | 0x00)

/* Master Reset */
/* Reset CNTR, ICR, OCCR, QR, BWT, CYT, OL, COMPT, and PR/OL Byte Pointer */
/* Set PR and SIGN */
#define Rst_Master 0x20

/* Reset COMPT */
#define Rst_COMPT 0x10

/* Transfer PR to CNTR (24 bits) */
#define Trf_PR_CNTR 0x08

/* Reset CNTR, BWT and CYT */
/* Set SIGN bit */
#define Rst_CNTR_BWT_CYT_Set_SIGN 0x04

/* Transfer CNTR to OL (24 bits) */
#define Trf_CNTR_OL 0x02

/* Reset PR/OL Byte Pointer */
#define Rst_BP 0x01

/*****/
/* ICR (Input Control Register) */

/* Select ICR */
#define ICR(arg) (arg | 0x40)

/* Select  $\overline{\text{LCTR}}$  /  $\overline{\text{LLTC}}$  as Load-CNTR Input */
#define LCNTR 0x00

/* Select  $\overline{\text{LCTR}}$  /  $\overline{\text{LLTC}}$  as Load-OL Input */
#define LOL 0x20

/* Select  $\overline{\text{ABGT}}$  /  $\overline{\text{RCTR}}$  as Reset-CNTR Input */
#define RCNTR 0x00

/* Select  $\overline{\text{ABGT}}$  /  $\overline{\text{RCTR}}$  as Enable / Disable Gate for A / B Inputs */
#define ABGate 0x10

/* Disable A / B Inputs */
#define DisAB 0x00

/* Enable A / B Inputs */
#define EnAB 0x08
```

```

/* Decrement CNTR once for A / B = 1, if A / B inputs are enabled */
#define Decr_CNTR    0x04

/* Increment CNTR once for A / B = 1, if A / B inputs are enabled */
#define Incr_CNTR    0x02

/* Set Input A = Up Count Input, Input B = Down Count Input */
#define AUP_BDN     0x00

/* Set Input A = Count Input, Input B = Count Direction Input */

/* B = 0 selects Up Count Mode */
/* B = 1 selects Down Count Mode */
#define AIN_BDIR   0x01

/*****/
/* OCCR (Output Control Register) */

/* Select OCCR */
#define OCCR(arg)  (arg | 0x80)

/* Set  $\overline{CY}$  =  $\overline{COMP}$  Comparator Out (active "0") */

/* Set  $\overline{BW}$  =  $\overline{COMPT}$  Comparator Toggle Output */
#define COMPN_COMPT 0x30

/* Set  $\overline{CY}$  =  $\overline{CY}$  */

/* Set  $\overline{BW}$  =  $\overline{BW}$  */
#define CY_BW      0x20

/* Set  $\overline{CY}$  =  $\overline{CY}$  */

/* Set  $\overline{BW}$  =  $\overline{BW}$  */
#define CYN_BWN    0x00

/* Set Binary or BCD Count Mode */
#define Bin_BCD_Cnt 0x00

/* Set 24 Hr Clock Mode – Overrides BCD / Binary Modes */
#define Clk_24HR_Cnt 0x08

/* Set Normal Count Mode */
#define Nrml_Cnt    0x00

/* Set Divide by N Count Mode */
#define div_N_Cnt   0x04

/* Set Non Recycle Count Mode */
#define Nrcyc_Cnt   0x02

/* Set Binary Count Mode */
#define Bin_Cnt     0x00

/* Set BCD Count Mode */
#define BCD_Cnt     0x01

/*****/

```

```

/* QR (Quadrature Register) */

/* Select QR */
#define QR(arg) (arg | 0xC0)

/* Enable x4 Quadrature Mode */
#define En_x4QM 0x03

/* Enable x2 Quadrature Mode */
#define En_x2QM 0x02

/* Enable x1 Quadrature Mode */
#define En_x1QM 0x01

/* Disable Quadrature Mode */
#define Dis_QM 0x00

/*****/
/* Initialize 7166B */

void Init_7166B(int Addr)

/* Initialize 7166B as follows
Do a Master Reset
Set ICR as follows
Set Input A = Up Count
Set Input B = Down Count
Disable Inputs A/B
Enable Reset_CNTR input
Enable Load_CNTR input
Set OCCR – Normal Count Mode
Disable QM
Enable A and B Inputs
*/

void Init_7166B(int Addr){
/* Master Reset */
outp(CTRLMODE(Addr), MCR(Rst_Master));

/* Set ICR */
outp(CTRLMODE(Addr), ICR(AUP_BDN + DisAB + RCNTR + LCNTR));

/* Set OCCR */
outp(CTRLMODE(Addr), OCCR(Nrml_Cnt));

/* Set QR */
outp(CTRLMODE(Addr), QR( Dis_QM));

/*Enable A and B inputs */
outp(CTRLMODE(Addr), ICR(EnAB));
}

```

```
/* Write data into 7166B Preset Register
Addr has address of 7166B counter
Data has 24 bit data to be written to PR register */
```

```
void Write_7166B_PR(int Addr, unsigned long Data);
```

```
void Write_7166B_PR(int Addr, unsigned long Data)
{ outp(CTRLMODE(Addr), MCR(Rst_BP));
  outp(DATAMODE(Addr), (unsigned char)Data);
  Data >>= 8;
  outp(DATAMODE(Addr), (unsigned char)Data);
  Data >>= 8;
  outp(DATAMODE(Addr), (unsigned char)Data);
}
```

```
/* Read 7166B Output Latch
Addr has address of 7166B counter
Data returns 24 bit OL register value. */
```

```
unsigned long Read_7166B_OL(int Addr);
```

```
unsigned long Read_7166B_OL(int Addr){
  unsigned long Data = 0;
  outp(CTRLMODE(Addr), MCR(Rst_BP + Trf_CNTR_OL));
  Data |= (unsigned long) inp(DATAMODE(Addr));
  lrotr(Data,8);
  Data |= (unsigned long) inp(DATAMODE(Addr));
  lrotr(Data,8);
  Data |= (unsigned long) inp(DATAMODE(Addr));
  lrotr(Data,16);
  return(Data);
}
```

```
/* Read Output Status Register
Addr has address of 7166B counter
returns OSR data */
```

```
unsigned long Read_7166B_OSR(int Addr);
```

```
unsigned long Read_7166B_OSR(int Addr){
  return(inp(CNTRLMODE(Addr)));
}
```