

5-928247-2 ✓ ACTIVE

RAST | RAST 5 IDC Connectors

TE Internal #: 5-928247-2

Housing, Receptacle, Wire-to-Board, 2 Position, .197 in [5 mm]

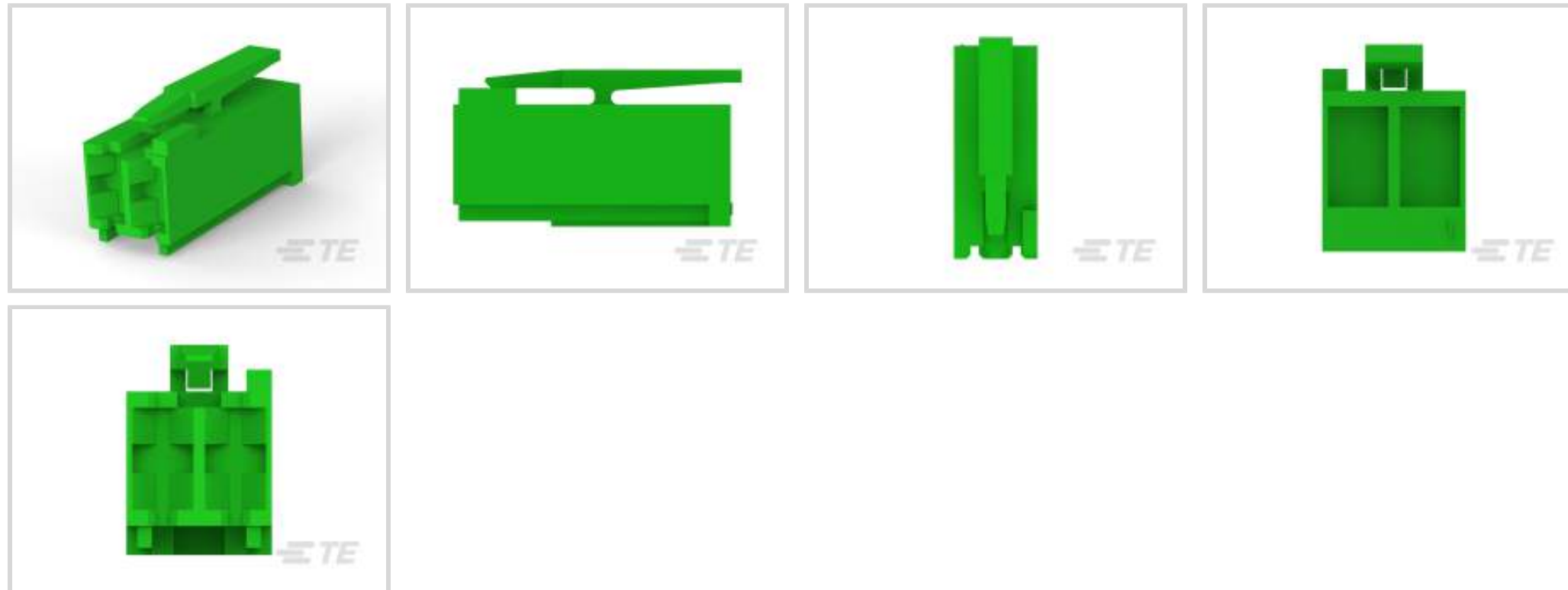
Centerline, Crimp, 1 Row, Green, Mating Retention, Wire & Cable,

RAST 5 IDC Connectors

[View on TE.com >](#)



Connectors > PCB Connectors > Wire-to-Board Connectors > Wire-to-Board Connector Assemblies & Housings



Connector Product Type: **Housing**

Connector & Housing Type: **Receptacle**

Connector System: **Wire-to-Board**

Number of Positions: **2**

Centerline (Pitch): **5 mm [.197 in]**

Features

Product Type Features

Connector Product Type	Housing
Connector & Housing Type	Receptacle
Connector System	Wire-to-Board
Sealable	No
Connector & Contact Terminates To	Wire & Cable

Configuration Features

Keying & Polarized Rib Location	1a/2b
Number of Positions	2
Number of Rows	1

Body Features

Primary Product Color	Green
-----------------------	-------

Termination Features

Termination Method to Wire & Cable	Crimp
------------------------------------	-------

Mechanical Attachment

Locking Latch Between Cavity Number	1&2
Strain Relief	Without
Panel Mount Feature	Without
PCB Mount Retention	Without
Mating Retention Type	Latch
Mating Retention	With
Connector Mounting Type	Cable Mount (Free-Hanging)

Housing Features

Housing Material	Nylon
Centerline (Pitch)	5 mm [.197 in]

Dimensions

Connector Length	10 mm [.39 in]
Connector Height	14.4 mm [.567 in]

Usage Conditions

Operating Temperature Range	-40 – 110 °C [-40 – 230 °F]
-----------------------------	-----------------------------

Operation/Application

Circuit Application	Power & Signal
---------------------	----------------

Industry Standards

RAST Version	02-E
Glow Wire Rating	Glow Wire
UL Flammability Rating	UL 94V-2

Packaging Features

Packaging Quantity	6000
Packaging Method	Bag

Product Compliance

[For compliance documentation, visit the product page on TE.com>](#)

EU RoHS Directive 2011/65/EU	Compliant
EU ELV Directive 2000/53/EC	Compliant
China RoHS 2 Directive MIIT Order No 32, 2016	No Restricted Materials Above Threshold
EU REACH Regulation (EC) No. 1907/2006	



Current ECHA Candidate List: JUNE 2023
(235)

Candidate List Declared Against: JAN 2023
(233)

SVHC > Threshold:

Melamine (1.72% in Component Part)

Article Safe Usage Statements:

Wash thoroughly after handling. Do not handle until all safety precautions have been read and understood. Recycle if possible and dispose of the article by following all applicable governmental regulations relevant to your geographic location.

Halogen Content

BFR/CFR/PVC Free, but Br/Cl >900 ppm in other sources.

Solder Process Capability

Not applicable for solder process capability

Product Compliance Disclaimer

This information is provided based on reasonable inquiry of our suppliers and represents our current actual knowledge based on the information they provided. This information is subject to change. The part numbers that TE has identified as EU RoHS compliant have a maximum concentration of 0.1% by weight in homogenous materials for lead, hexavalent chromium, mercury, PBB, PBDE, DBP, BBP, DEHP, DIBP, and 0.01% for cadmium, or qualify for an exemption to these limits as defined in the Annexes of Directive 2011/65/EU (RoHS2). Finished electrical and electronic equipment products will be CE marked as required by Directive 2011/65/EU. Components may not be CE marked. Additionally, the part numbers that TE has identified as EU ELV compliant have a maximum concentration of 0.1% by weight in homogenous materials for lead, hexavalent chromium, and mercury, and 0.01% for cadmium, or qualify for an exemption to these limits as defined in the Annexes of Directive 2000/53/EC (ELV). Regarding the REACH Regulation, the information TE provides on SVHC in articles for this part number is based on the latest European Chemicals Agency (ECHA) 'Guidance on requirements for substances in articles' posted at this URL: <https://echa.europa.eu/guidance-documents/guidance-on-reach>

Compatible Parts



TE Part # 6-928247-2
2P ST-TIMER GEH



TE Part # 928247-2
2P ST-TIMER GEH



TE Part # 5-928247-3
STD TIMER GEH 3P



TE Part # 4-928247-2
2P ST-TIMER GEH



TE Part # 8-928247-2
STD TIMER GEH 2P



TE Part # 9-928247-2
STD TIMER GEH 2P



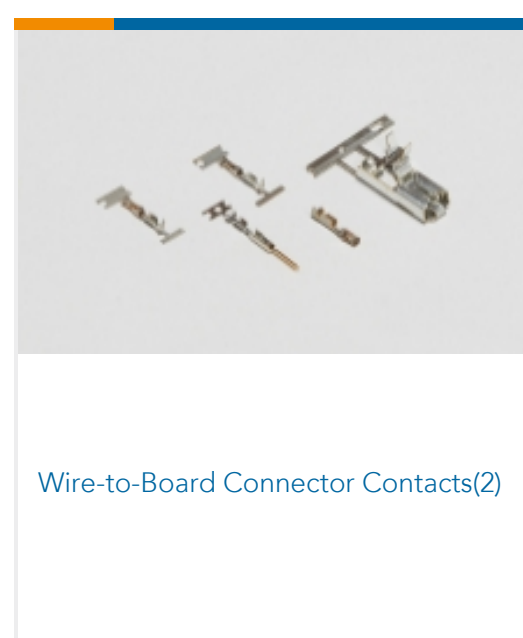
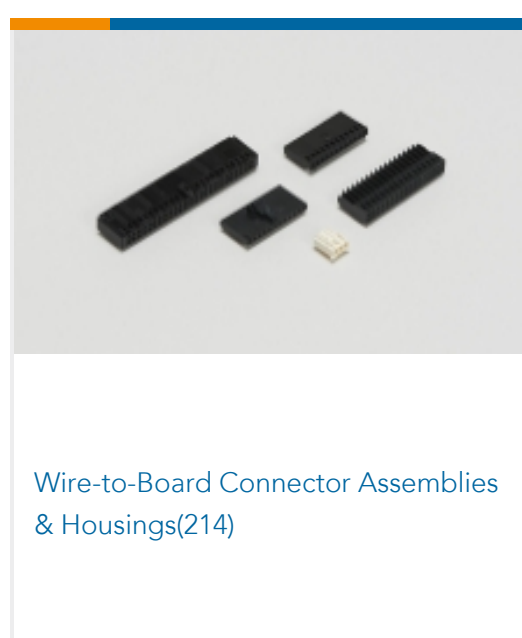
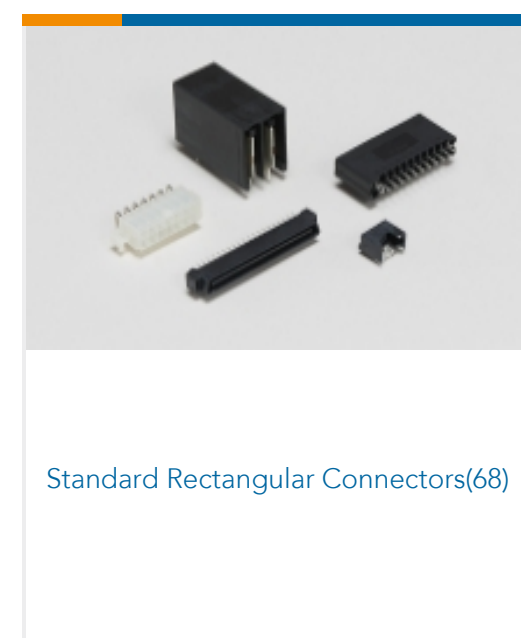
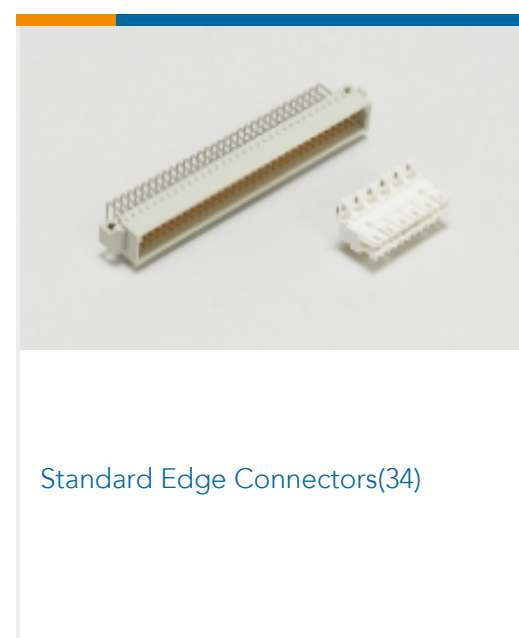
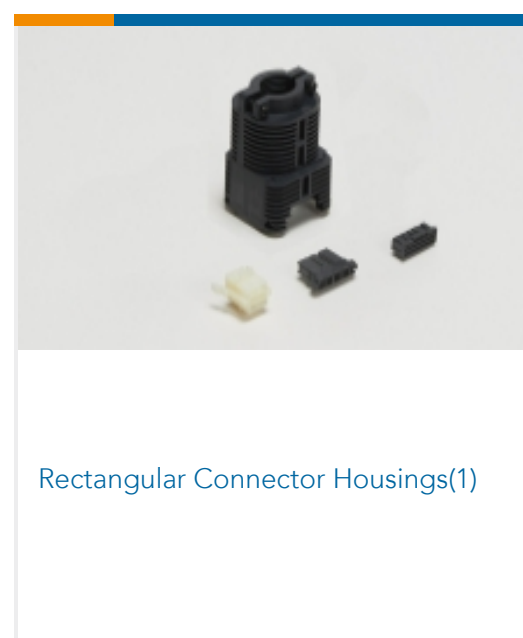
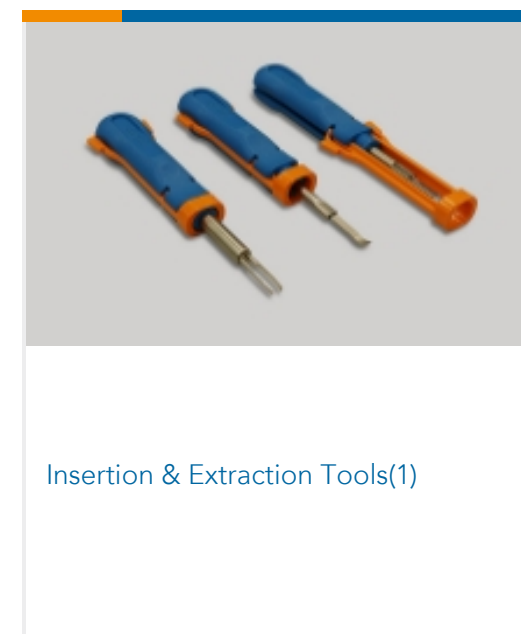
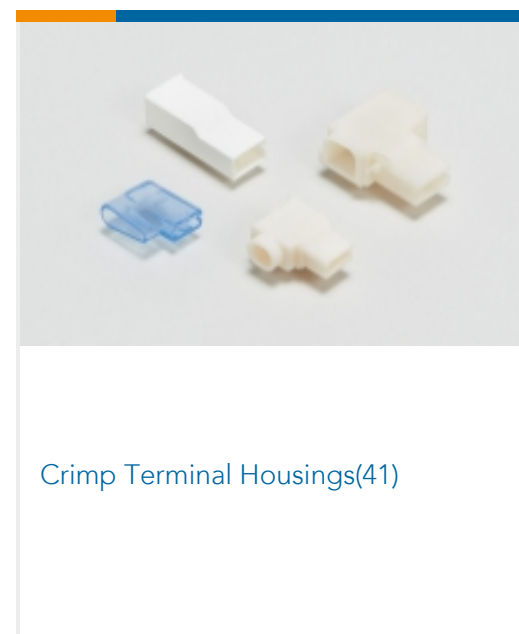
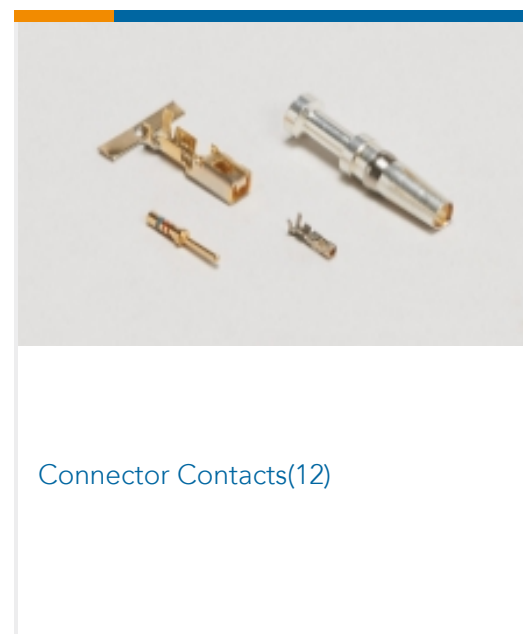
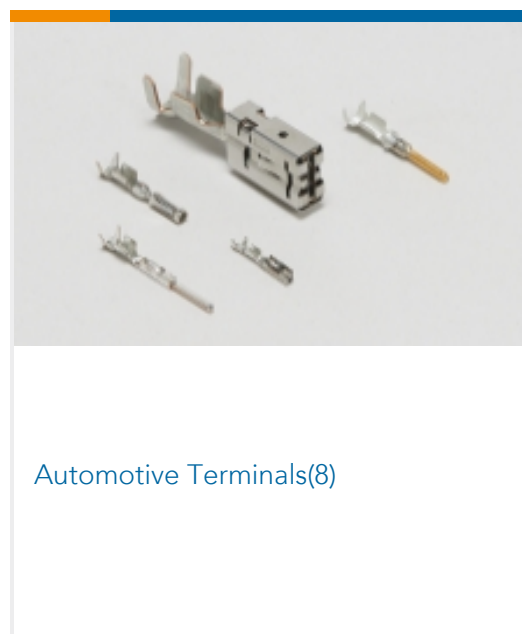
TE Part # 1-928247-1
11P ST-TIMER GEH



TE Part # 3-1971845-2
2P, RAST 5 Tab Header, THV



Also in the Series | RAST 5 IDC Connectors



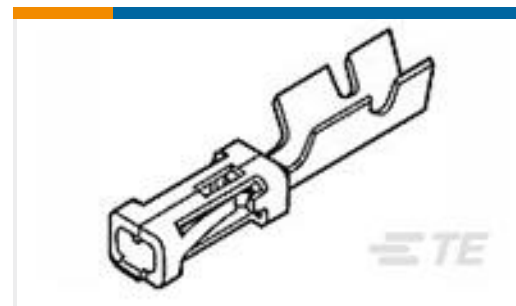
Customers Also Bought



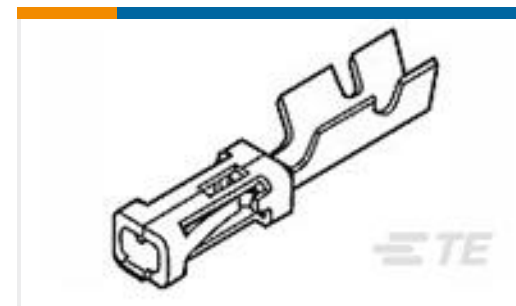
TE Part #1744417-3
3 POS EP 2.5 HSG, GLOW WIRE



TE Part #1969443-3
EP 2.5 TPA Retainer, 3 Pos



TE Part #2-167301-2
MOD-4 REC.CONT.SCP



TE Part #166309-2
MOD-5 REC.CONTACT



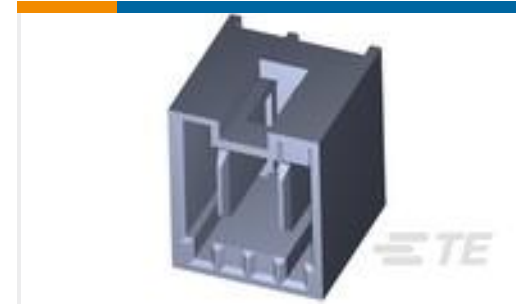
TE Part #170359-1
UNIV M-N-L PIN 26-22 AWG



TE Part #1744423-1
EP 2.5 RCPT CONTACT, 24-20 AWG



TE Part #1879980-1
MINI SUPERSEAL CONNECTOR



TE Part #3-1971846-2
2P, RAST 5 Tab Header, THV

Documents

Product Drawings

2P ST-TIMER GEH

English

2P ST-TIMER GEH

English

CAD Files

3D PDF

3D

Customer View Model

[ENG_CVM_CVM_5-928247-2_L.2d_dxf.zip](#)

English

Customer View Model

[ENG_CVM_CVM_5-928247-2_L.3d_igs.zip](#)

English

Customer View Model

[ENG_CVM_CVM_5-928247-2_L.3d_stp.zip](#)

English

By downloading the CAD file I accept and agree to the [Terms and Conditions](#) of use.

Datasheets & Catalog Pages

1654742_HOUSEHOLD_APPLIANCES_RAST5

English

Product Environmental Compliance

TE Material Declaration

English



Agency Approvals

VDE Certificate

English

VDE Certificate

English