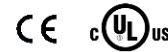
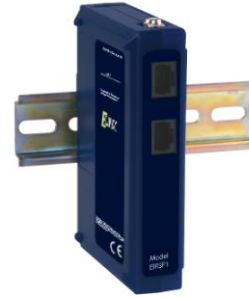


# EIRSP1

## Industrial Ethernet Surge Protector

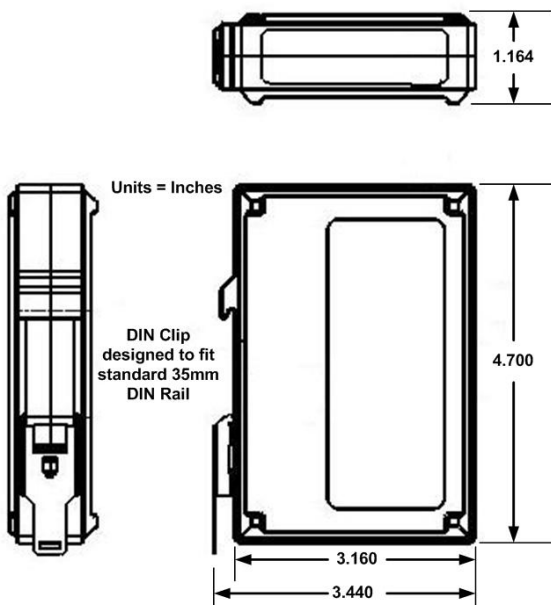
- ✓ Space Saving IP30 Din Rail Enclosure
- ✓ Protects all Eight CAT 5 Lines
- ✓ Power Over Ethernet Compatible



The Elinx™ EIRSP1 Industrial Ethernet Surge Protector is designed to protect all eight lines used in a standard CAT5e Ethernet cable. It is compatible with 10/100BaseT networks and 802.11af (Modes A & B) Power Over Ethernet. Mode A applies power to the data pairs, pins 1/2 and 3/6. Mode B applies power to the unused pairs, pins 4/5 and 7/8.

Network connections are made using RJ-45 connectors. Grounding is accomplished using a ground lug which accepts 14 to 22 AWG wire.

Stranded or braided cable is recommended with a three foot maximum run to Earth Ground.



### Specifications

Ethernet Connection	RJ-45
Lines Protected	All 8
Protocols	802.11af (Modes A&B)
Speed	10/100 BaseT
Clamping Voltage	60 V
Peak Pulse Power	600 W
Peak Surge Current	1000 Amps
Capacitance	<50 pF
Response Time	<5 nS
Operating Temperature	-40 to 176 F (-40 to 80 C)
Storage Temperature	-40 to 185 F (-40 to 85 C)
Operating Humidity	0 to 95% Non-condensing
Enclosure	Plastic, IP 30 DIN Rail Case
Dimensions	1.2x4.7x3.4 in (3.0 x11.9 x8.6 cm)
MTBF	131960 Hours
MTBF Calculation Method	Parts Count Reliability Prediction
Compliance	CE, FCC, UL
UL File Number	E222870
	CE / FCC DoC available for download.
RoHS	Yes

### Wiring

Wire Type	Copper Wire Only
	One conductor per terminal
Wire Range	14 to 22 AWG
Tightening Torque	1.7 lb-in
Wire Temperature Rating	105 C minimum (sized for 60 C ampacity)

### Ordering Information

EIRSP1	Industrial Ethernet Surge Protector
--------	-------------------------------------

### Accessories

DRPM25	Panel Mount Adapter
--------	---------------------