

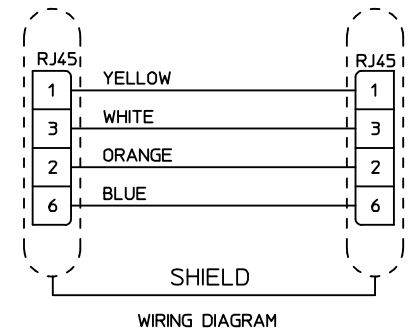
NOTES:

- 1. MATERIAL: SEE TABLE
- 2. FINISHES: SEE TABLE
- 3. ELECTRICAL SPECIFICATIONS  
VOLTAGE RATING: 30VAC  
CURRENT RATING: 1.5 AMPS

CABLE P/N MATRIX

E66A06017MXXX

CONNECTOR TYPE (DBL ENDED RJ45 PLUG TO RJ45 PLUG)  
 CABLE TYPE (22 AWG 2PAIR PLTC)  
 FINISHED LENGTH  
 M001 = 0.1M  
 M010 = 1.0M  
 M100 = 10.0M



ITEM	QTY.	DESCRIPTION	MATERIAL	FINISH
4	1	WRAP LABEL	VINYL	BLACK/YELLOW
3	1	RJ45 BOOT	PVC	BLACK
2	1	RJ45 PLUG	PC SHELL, BRASS CONT	CLEAR, GOLD PLT
1	1	CABLE, PROFINET, 2PR, 22 AWG, SHLD, PLTC	TPE JACKET	GREEN

RELEASED  
 EC NO: IPG2016-0528  
 DRW:RSTONE 2015/10/08  
 CHK:KJOWZIK  
 APPR:BWODMAN 2015/10/12

QUALITY SYMBOLS  
 ▽=0  
 ▽=0

GENERAL TOLERANCES (UNLESS SPECIFIED)

	mm	INCH
4 PLACES	± .005	± .0004
3 PLACES	± .002	± .0001
2 PLACES	± .001	± .0001
1 PLACE	± 0.3	± .012
0 PLACE	± .005	± .0004

ANGULAR ± 1°  
 DRAFT WHERE APPLICABLE  
 MUST REMAIN WITHIN DIMENSIONS

DESIGN STYLE IN/MM  
 DRAWN BY DATE  
 RSTONE 2015/10/08  
 CHECKED BY DATE  
 KJOWZIK  
 APPROVED BY DATE  
 BWODMAN 2015/10/12  
 MATERIAL NO.  
 -

SCALE 1:1  
 DESIGN UNITS INCH  
 THIRD ANGLE PROJECTION  
 TITLE  
 RJ45 CABLE ASSY  
 RJ45 PLUG TO RJ45 PLUG  
 22 AWG, 2 PAIR PLTC  
**molex**  
 DOCUMENT NO. SD-120108-093  
 SHEET NO. 1 OF 1