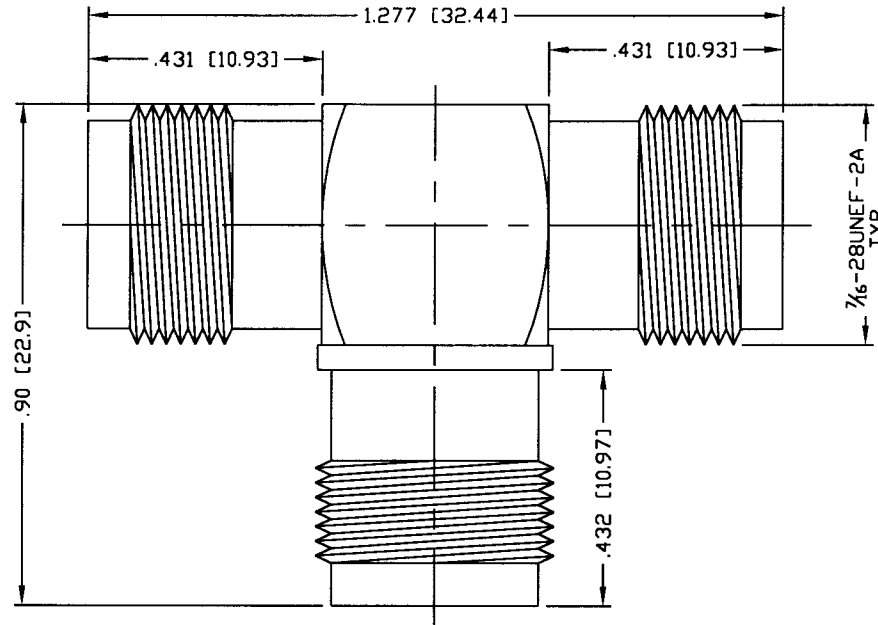


THIS DRAWING CONTAINS INFORMATION PROPRIETARY TO RF INDUSTRIES.
 ANY UNAUTHORIZED USE OF THIS DRAWING IS EXPRESSLY PROHIBITED
 WITHOUT WRITTEN PERMISSION FROM RF INDUSTRIES.
 ANY VIOLATION IS PUNISHABLE UNDER U.S. COPYRIGHT LAWS.

ALL DIMENSIONS ARE REFERENCE ONLY

PART NO.		RFT-1229		
REV	DESCRIPTION	DWN	DATE	APPROVED
-	ENGINEERING RELEASE	CZS	11/7/03	JDMc



SPECIFICATIONS:

IMPEDANCE: 50 Ohms
 FREQUENCY RANGE: 0-7 GHz
 WORKING VOLTAGE: 500 V rms @ sea level
 INSULATION RESISTANCE: 5k M ohms min.
 TEMPERATURE RANGE: -65°C TO +165°C

1	BODY	1	BRASS	NICKEL, 100μ"	000000	UNLESS OTHERWISE SPECIFIED:
2	PRESS BODY	1	BRASS	NICKEL, 100μ"		
3	CONTACT	1	BRASS	GOLD, 3μ"		
4	CONTACT	1	BRASS	GOLD, 3μ"		
5	INSULATOR	3	PTFE	---		
6	PRESS WASHER	2	BRASS	NICKEL, 100μ"		
7						
8						
9						
10					DRAWN	DIMENSIONS ARE IN INCHES AND [MILLIMETERS] UNLESS OTHERWISE NOTED TOLERANCES ARE: DECIMALS DIAMETER
11				C. ZUNIGA	11/7/03	
12				CHECKED	<i>[Signature]</i> 11-7-03	
13				ORJ DRAWN	11/7/03	
14				C. ZUNIGA		
#	DESCRIPTION	QTY	MATERIAL	FINISH	APPROVALS	DATE

RF connectors
 DIVISION OF RF INDUSTRIES, LTD.
 7610 MIRAMAR RD
 SAN DIEGO, CA 92126
 (858) 549-6340
 (858) 549-6345 FAX

TNC TRIPLE JACK

"T" ADAPTER

SIZE	CABLE GROUP	DWG NO.	REV
A	N/A	RFT-1229	-
SCALE:	NTS	CAD FILE	OUTLINE
			SHEET 1 OF 1