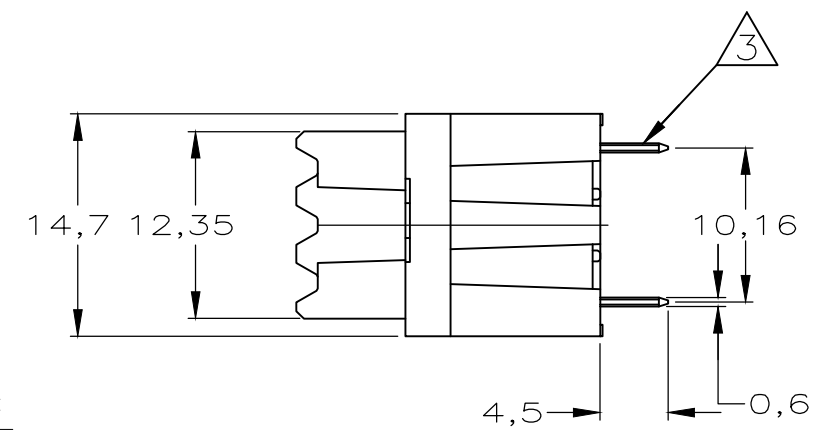
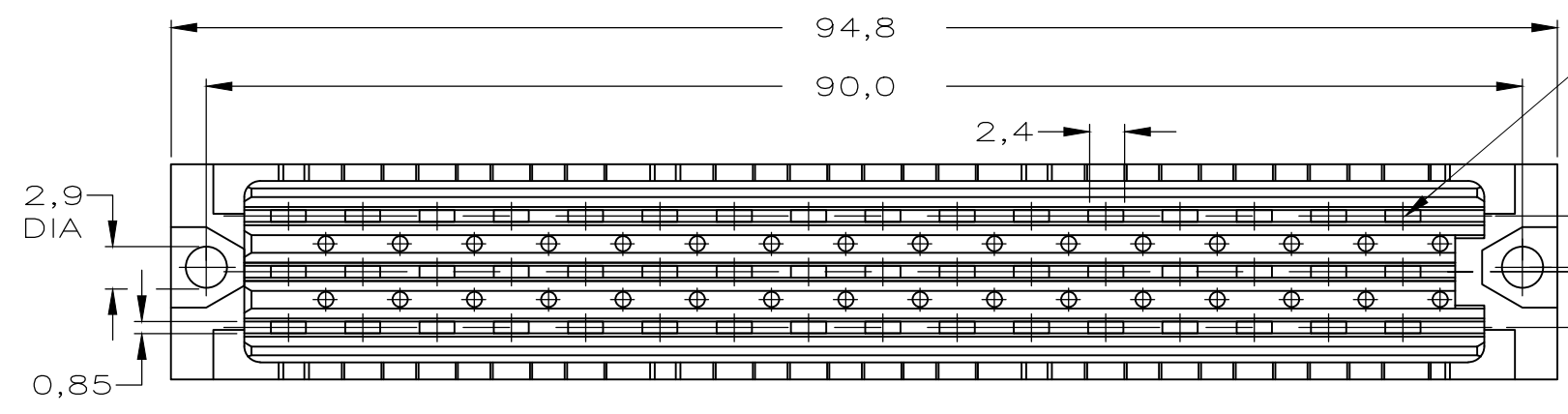


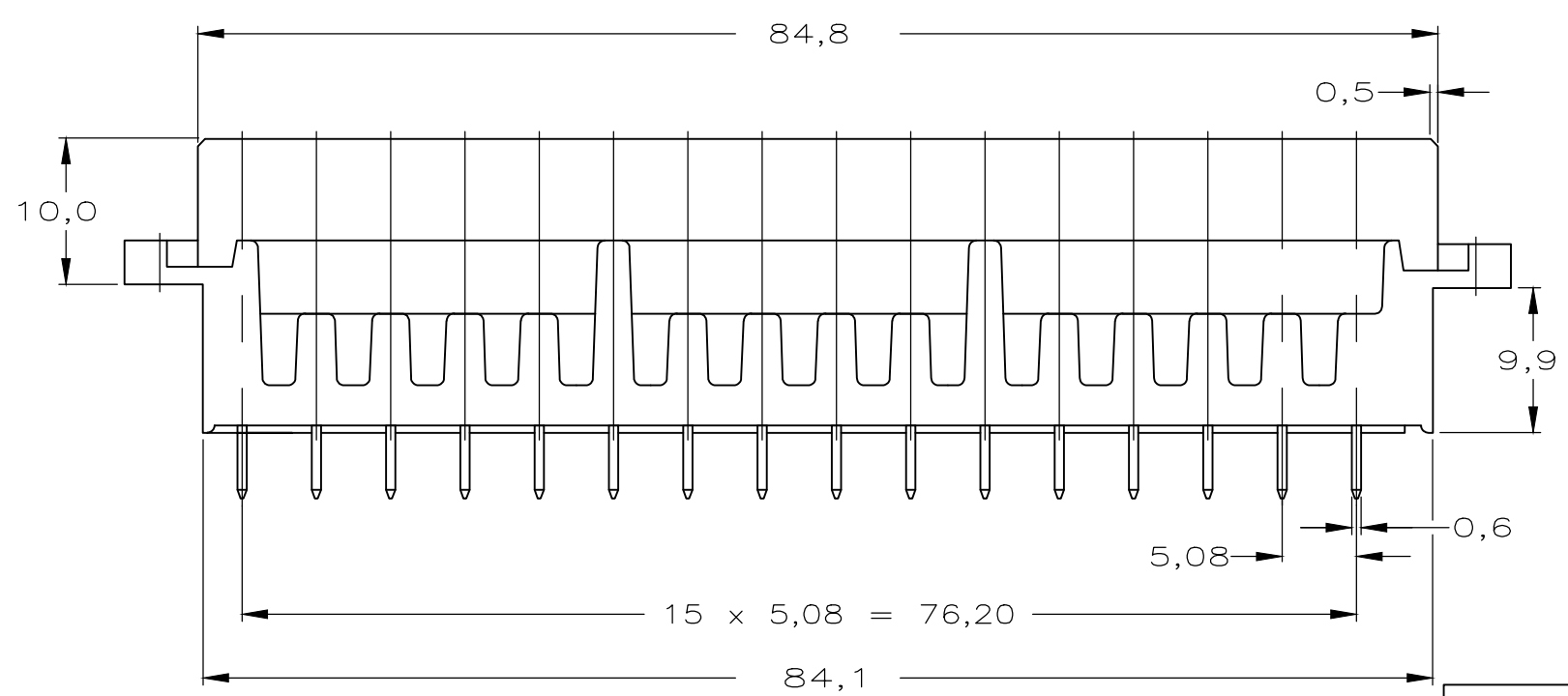
© - TE Connectivity. All Rights Reserved.

REVISIONS					
P	LTR	DESCRIPTION	DATE	DWN	APVD
	K	REVISED PER ECO-20-012547	04NOV2020	RZ	HL



NOTES :

- ① MATERIAL :
 - HOUSING : POLYESTER G.F.
 - COLOUR : GREY.
 - CONTACTS : PHOSPHORBRONZE.
- ② FINISH :
 - 1 AT CONTACT AREA 1,25 μm AU OVER 1,25 μm NI.
 - AT POST AREA 2,5 μm Sn OVER 1,25 μm NI.
 - 7 SAME AS -1 ONLY 2,0 μm AU.
 - 8 SAME AS -1 ONLY 0,4 μm AU.
 - 4 CONFIRMS TO IEC60603-2 PERFORMANCE LEVEL II REQUIREMENT IN CONTACT AREA, Sn OVER Ni IN SOLDER AREA.
- ③ SOLDERPOSTS SUITABLE FOR 0,80^{±0,05} OR 1,0^{±0,1} NOM DIA HOLES.



0--8 OBSOLETE	SEE NOTE ②	SEE NOTE ①	166951-8
0--7 OBSOLETE			166951-7
			166951-4
0--1 OBSOLETE			166951-1

ROW	z	b	d																
X	.	X	X	X	X	X	X	X	X	X	X	X	X	X	X	X	X	X	X
X	.	X	X	X	X	X	X	X	X	X	X	X	X	X	X	X	X	X	X
POS		32	30	28	26	24	22	20	18	16	14	12	10	8	6	4	2		

AN ASTERISK "X" DENOTES A CONTACT.

THIS DRAWING IS A CONTROLLED DOCUMENT.		DWN	17 JAN. 1992		STE TE Connectivity	
		CHK	J.v.LIEMPT.			
		APVD	-		NAME	
		PRODUCT SPEC	-			
		APPLICATION SPEC	-		2x16 POS. TYPE F FEMALE B.T.B. SOLDER CONNECTOR	
		WEIGHT	0.000000			
DIMENSIONS: mm		TOLERANCES UNLESS OTHERWISE SPECIFIED:		SIZE	CAGE CODE	DRAWING NO
		0 PLC	± -	A3	00779	C-166951
		1 PLC	± -	RESTRICTED TO	-	
		2 PLC	± -	CUSTOMER DRAWING	SCALE	SHEET
		3 PLC	± -		-	1 OF 1
		4 PLC	± -			REV
		ANGLES	± -			K
MATERIAL		FINISH	-			