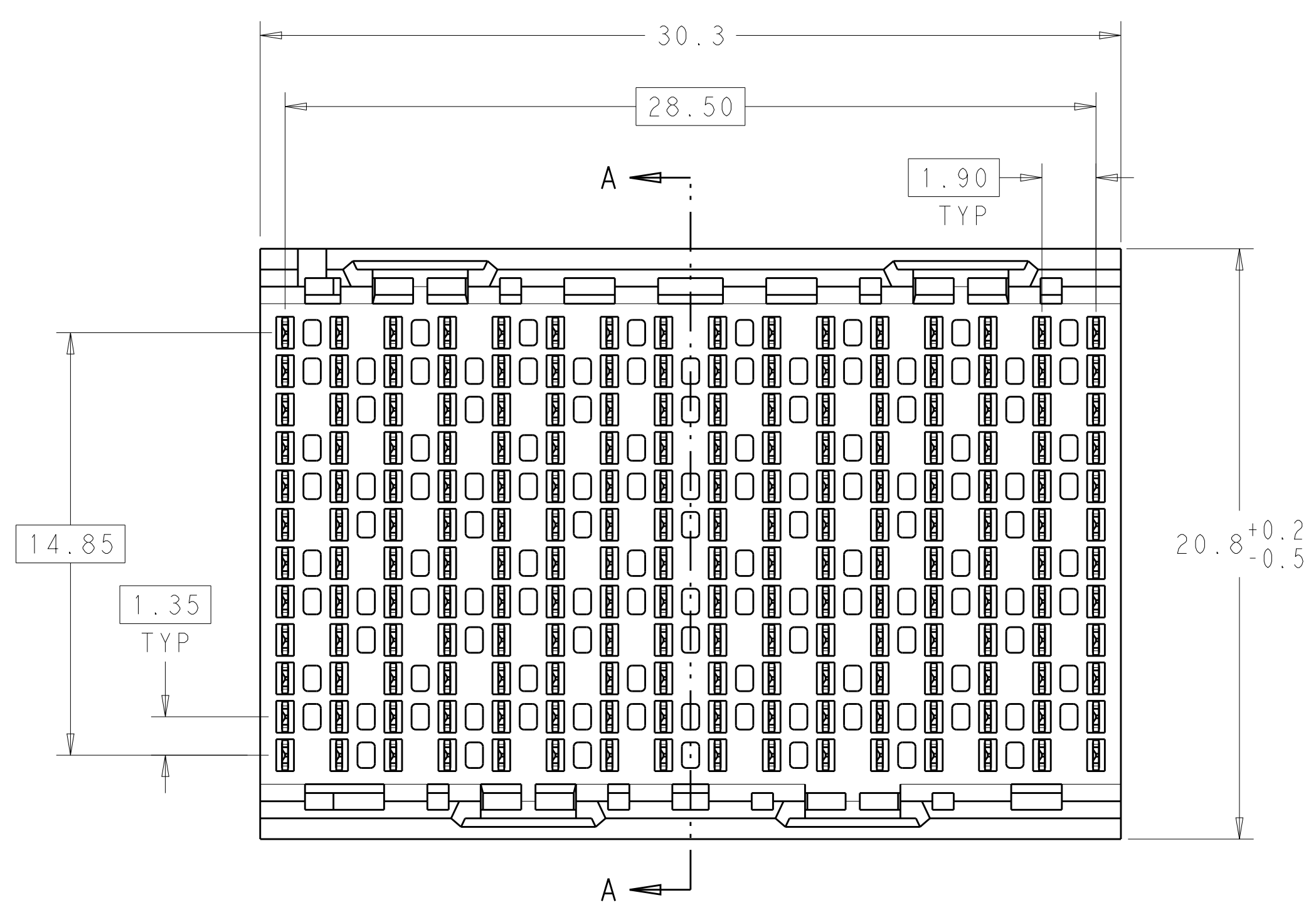
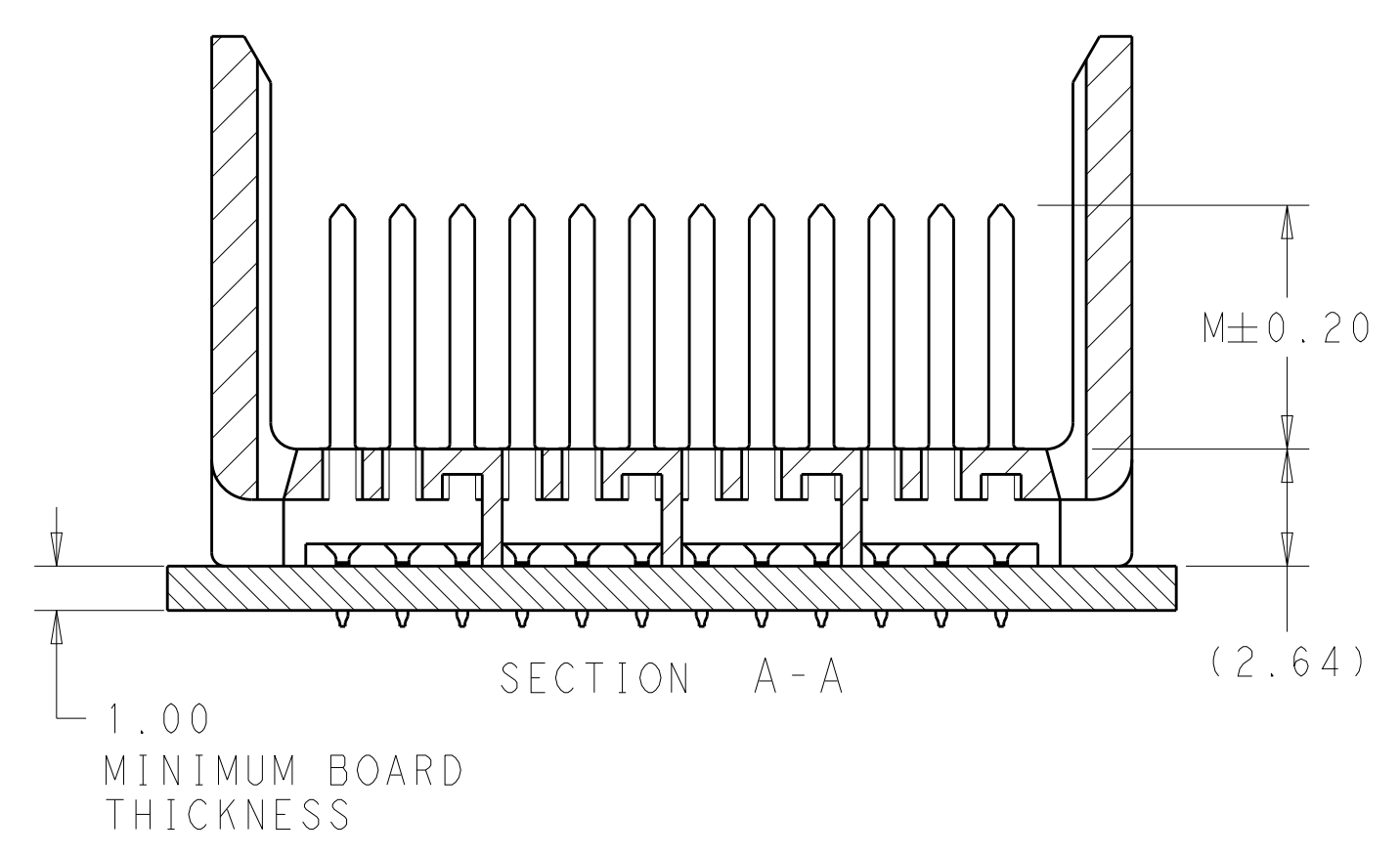
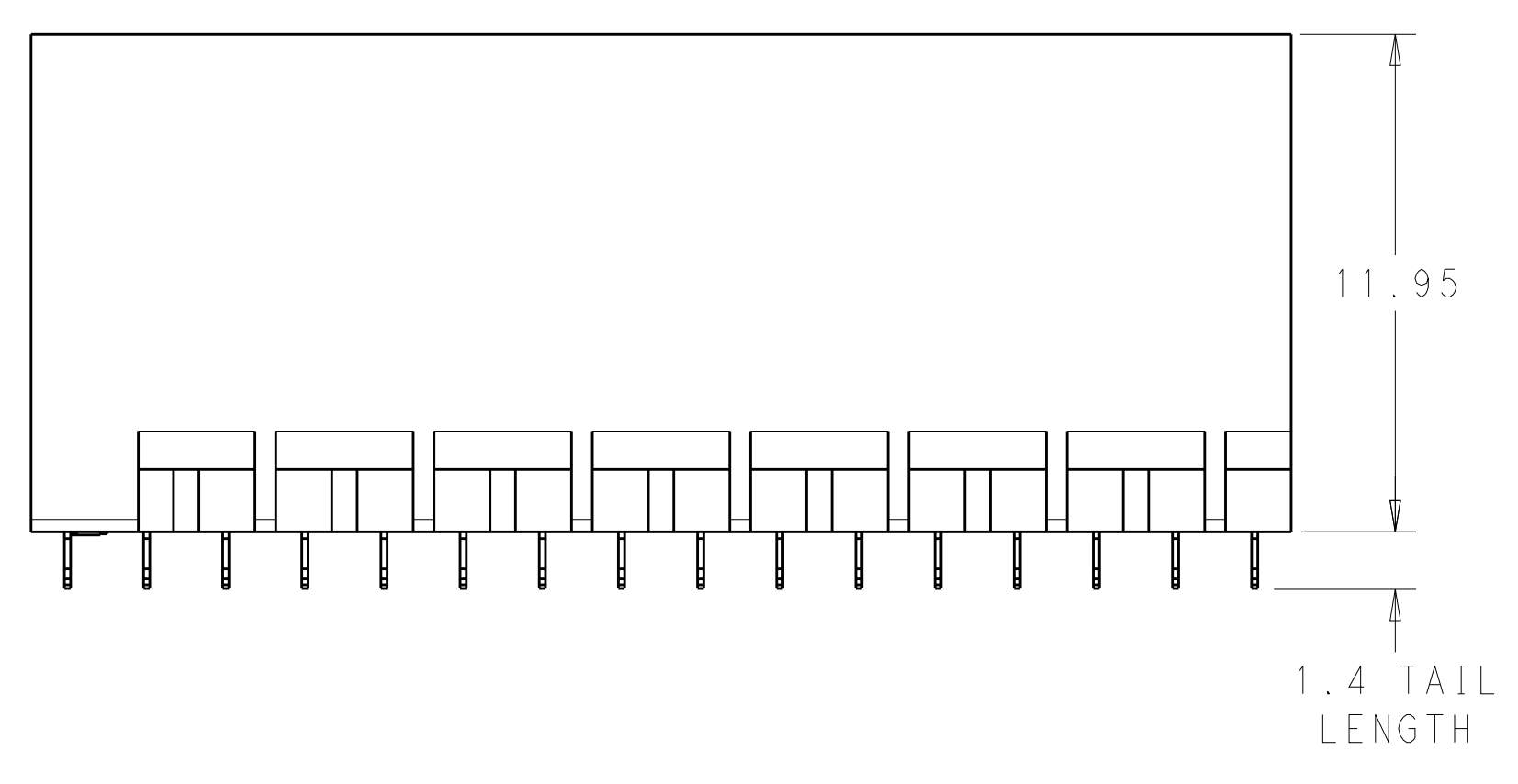
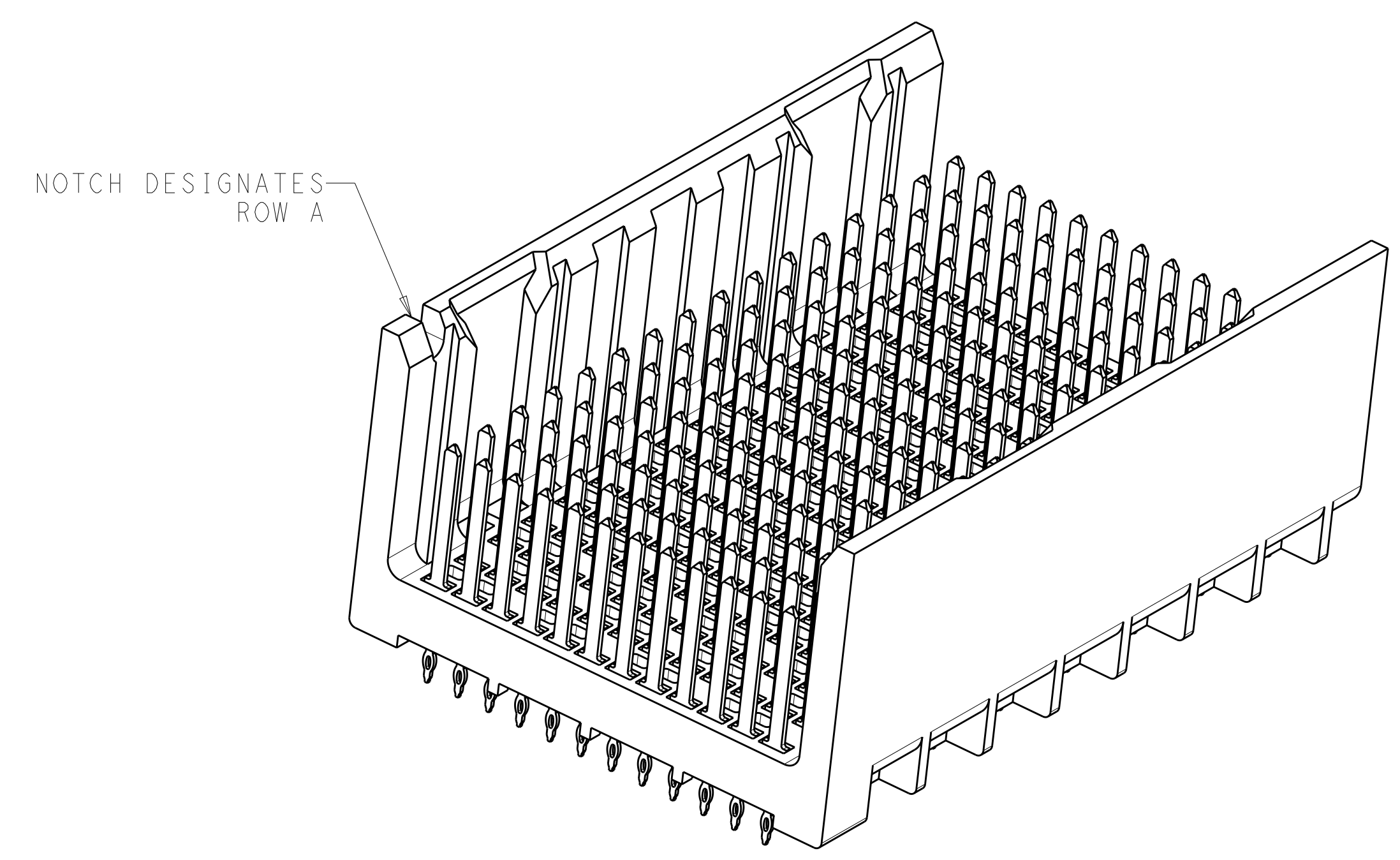
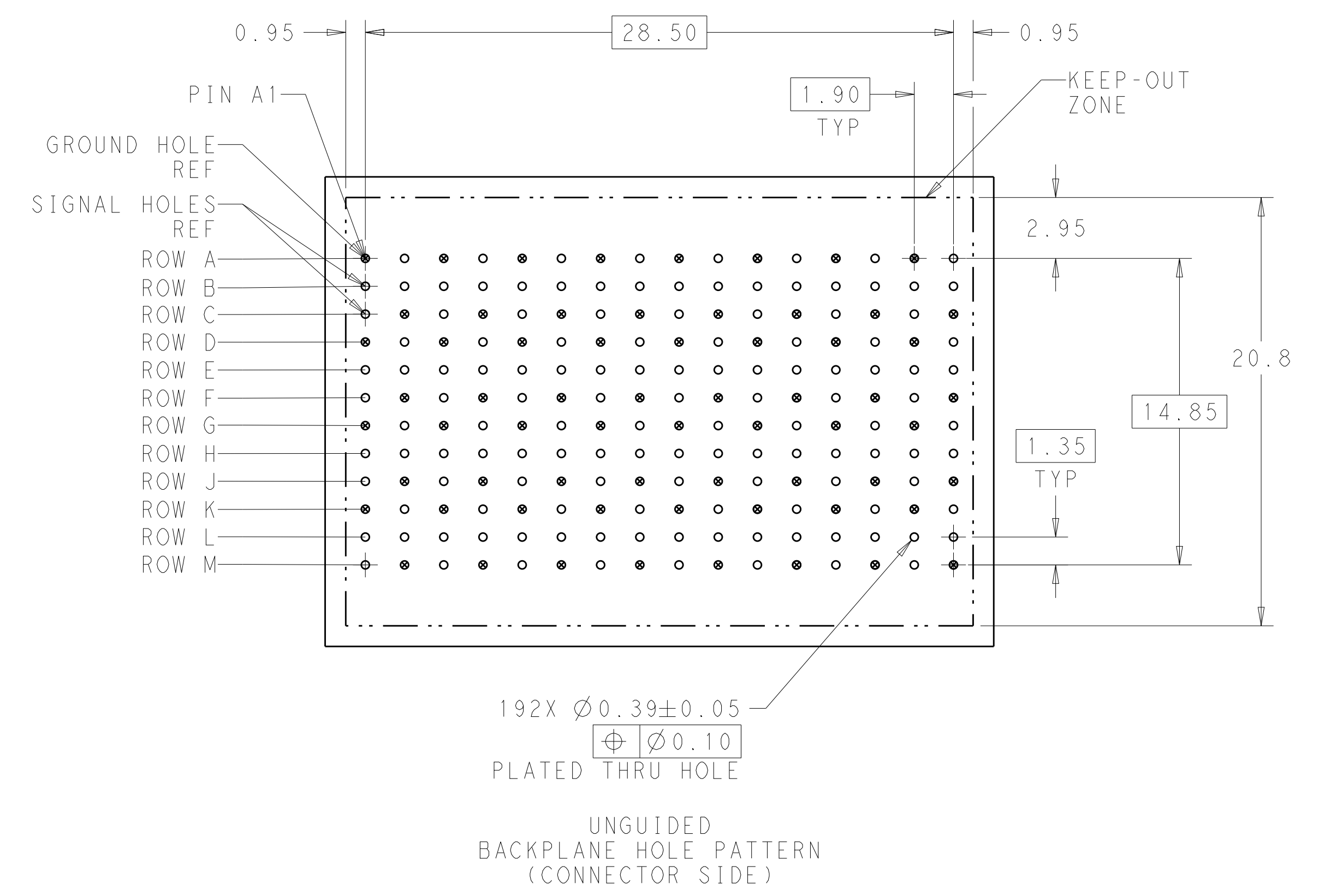


LOC		DIST		REVISIONS			
P	LTN	DESCRIPTION	DATE	DWN	APVD		
B1		REVISED PER ECO-15-001494	05FEB2015	AP	DD		



⚠ MATERIAL:
HOUSING: LCP, GLASS FILLED, UL94V-0.
TERMINALS: HIGH PERFORMANCE COPPER ALLOY.

⚠ FINISH:
30μ" MIN GOLD IN CONTACT AREA. SELECTIVE TIN
ON PCB TAILS, NICKEL OVERALL.



THIS DRAWING IS A CONTROLLED DOCUMENT.		DWN: J. K. SHOBER 13JAN2011	TE Connectivity
DIMENSIONS: mm		CHK: J. EARY 13JAN2011	
TOLERANCES UNLESS OTHERWISE SPECIFIED:		APVD: J. EARY 13JAN2011	NAME: IMPACT, 4 PAIR, 16 COLUMN, HEADER PRODUCT SPEC: UNGUIDED, OPEN END WALL APPLICATION SPEC: SIGNAL MODULE, 0.39 PTH
0 PLC ±0.25		SIZE: A1	
1 PLC ±0.13		CAGE CODE: 2007836	RESTRICTED TO:
2 PLC ±0.10		WEIGHT: -	SCALE: 6:1
3 PLC ±0.08		CUSTOMER DRAWING	SHEET 1 OF 2
4 PLC ±0.05			REV: B1
ANGLES: -			
FINISH: SEE TABLE			

THIS DRAWING IS UNPUBLISHED.	RELEASED FOR PUBLICATION	20
© COPYRIGHT 20	ALL RIGHTS RESERVED.	

LOC	DIST	REVISIONS					
		P	LTN	DESCRIPTION	DATE	DWN	APVD
AD	00	-		SEE SHEET 1	-	-	-

	5.5	2007836-3
	4.9	2007836-2
	4.5	2007836-1
FINISH	DIM M	PART NUMBER

REFER TO WWW.TE.COM
FOR PRODUCT AVAILABILITY

THIS DRAWING IS A CONTROLLED DOCUMENT.		DWN	J. K. SHOBER	13JAN2011		TE Connectivity
		CHK	J. EARY	13JAN2011		
DIMENSIONS:		TOLERANCES UNLESS OTHERWISE SPECIFIED:		NAME		IMPACT, 4 PAIR, 16 COLUMN, HEADER UNGUIDED, OPEN END WALL SIGNAL MODULE, 0.39 PTH
mm		0 PLC ±0.25 2 PLC ±0.13 3 PLC ± 4 PLC ± ANGLES ±		PRODUCT SPEC		
		FINISH		APPLICATION SPEC		SIZE
MATERIAL		SEE TABLE		WEIGHT		A100779C=2007836
		CUSTOMER DRAWING		SCALE		5:1 SHEET 2 OF 2 REV B1