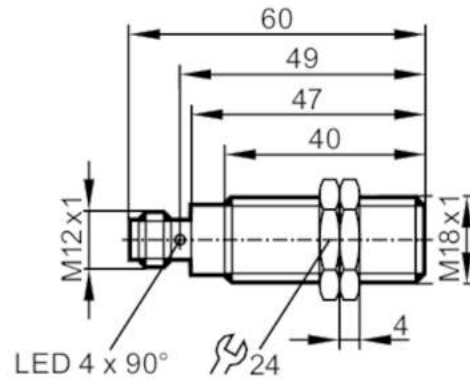


# MGT203



## Full-metal magnetic sensor

MGK3070-BPKG/AM/V4A/G/US



### Product characteristics

Electrical design	PNP
Output function	normally open
Sensing range [mm]	70; (referred to magnet M 4.0)
Housing	threaded type
Dimensions [mm]	M18 x 1 / L = 60

### Application

Special feature	Gold-plated contacts; Full-metal housing
Pressure rating [bar]	100

### Electrical data

Operating voltage [V]	10...30 DC
Current consumption [mA]	< 10
Protection class	III
Reverse polarity protection	yes

### Outputs

Electrical design	PNP
Output function	normally open
Max. voltage drop switching output DC [V]	2.5
Permanent current rating of switching output DC [mA]	100
Switching frequency DC [Hz]	5000
Short-circuit protection	yes
Overload protection	yes

### Detection zone

Sensing range [mm]	70; (referred to magnet M 4.0)
Response sensitivity [mT]	0.9

### Accuracy / deviations


Hysteresis [% of Sr]	1...10
----------------------	--------

# MGT203



## Full-metal magnetic sensor

MGK3070-BPKG/AM/V4A/G/US

Operating conditions		
Ambient temperature	[°C]	0...100
Protection		IP 65; IP 68; IP 69K
Tests / approvals		
EMC	EN 61000-4-2 ESD	4 kV CD / 8 kV AD
	EN 61000-4-3 HF radiated	10 V/m
	EN 61000-4-4 Burst	2 kV
	EN 61000-4-5 Surge	0,5 kV line to line, Ri: 2 Ohm
	EN 61000-4-6 HF conducted	10 V
	EN 55011	class B
	DIN ISO 11452-2	100 V/m
MTTF	[years]	1400
Mechanical data		
Weight	[g]	49.3
Housing		threaded type
Dimensions	[mm]	M18 x 1 / L = 60
Thread designation		M18 x 1
Materials		housing: stainless steel (1.4404 / 316L); sensing face: stainless steel (1.4404 / 316L); LED window: PEI; lock nuts: stainless steel
Full-metal housing		yes
Displays / operating elements		
Display	switching status	4 x 90° LED, yellow
Accessories		
Items supplied		lock nuts: 2
Remarks		
Pack quantity		1 pcs.
Electrical connection - plug		
Connector: 1 x M12; coding: A; Contacts: gold-plated		
		

# MGT203

## Full-metal magnetic sensor

MGK3070-BPKG/AM/V4A/G/US



### Connection

