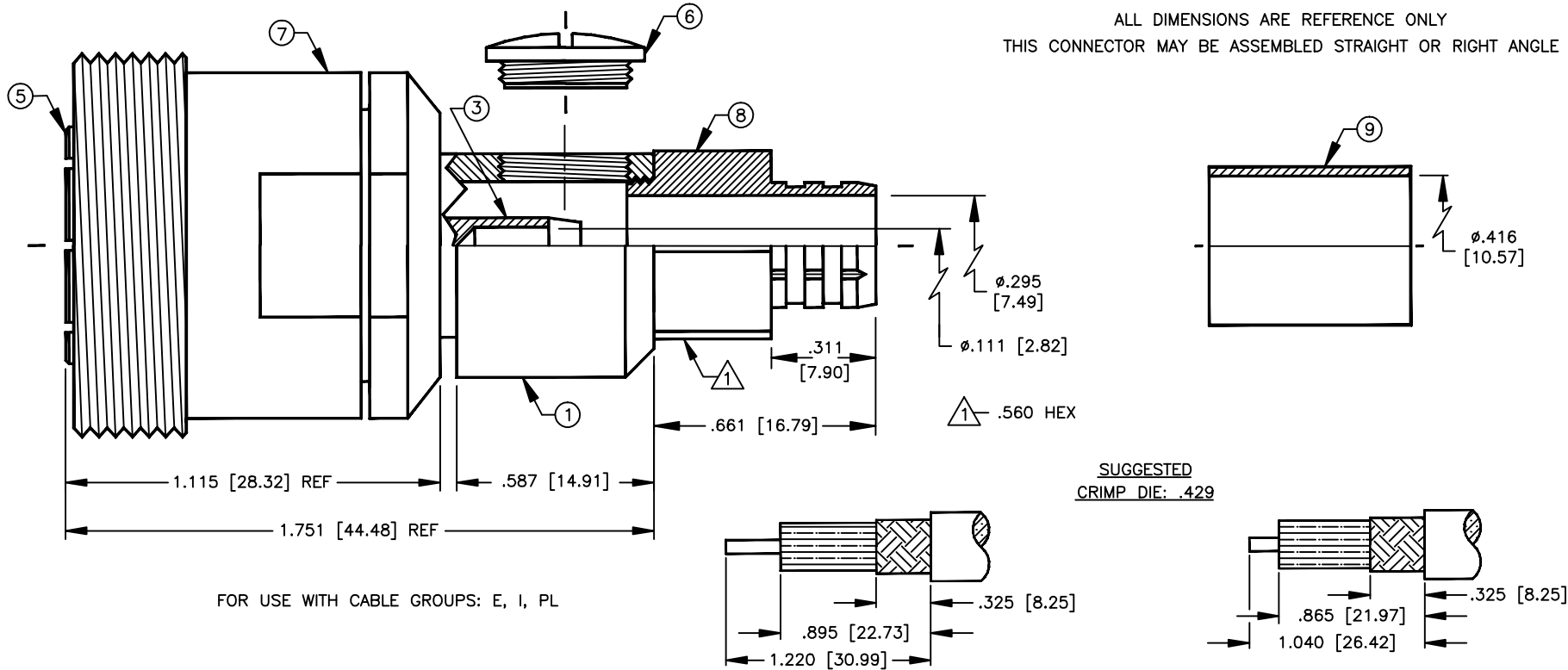


SPECIFICATION CONTROL DRAWING

THIS DRAWING CONTAINS INFORMATION PROPRIETARY TO RF INDUSTRIES, LTD. ANY UNAUTHORIZED USE OF THIS DRAWING IS EXPRESSLY PROHIBITED. ANY VIOLATION IS PUNISHABLE UNDER U.S. COPYRIGHT LAWS.

REV	DESCRIPTION	DWN	DATE	APPROVED
A	ENGINEERING RELEASE	CZS	7/17/97	R. RICE
B	CHANGE CONTACT ID / ADD CABLE GROUPS NOTE	CZS	9/16/97	R. RICE
C	GRND RING NOW PHOS BRONZE / ADD ELECTRICAL SPECS	CZS	10/19/98	R. RICE



SPECIFICATIONS:

IMPEDANCE: 50 OHMS
 FREQUENCY RANGE: DC-7.5 GHz
 INSERTION LOSS: -.1 dB √ FREQUENCY GHz
 VSWR: <1.15:1 @ DC-2.0 GHz
 3rd ORDER IM -dBc: > -150 dBc
 INTERFACE PER ITL-SPEC-CECC-22190

ITEM	DESCRIPTION	PART NUMBER	QTY	MATERIAL	FINISH
9	FERRULE	FER-205	1	BRASS	SILVER
8	BACK NUT	004-XXX0009BE	1	BRASS	SILVER
7	BODY, 7-16 DIN F	001-16F0001BE	1	BRASS	SILVER
6	SCREW CAP	020-XXX0001BE	1	BRASS	SILVER
5	GROUND RING	014-16F0001PE	1	PHOS BRONZE	SILVER
4	DIELECTRIC	010-16X0001TX	1	PTFE	NONE
3	CONTACT, CABLE	005-XXX0006BE	1	BRASS	SILVER
2	CONTACT	008-16F0001CE	1	BeCu	SILVER
1	BODY	001-16X0003BE	1	BRASS	SILVER

DIMENSIONS ARE IN INCHES AND [MILLIMETERS]

UNLESS OTHERWISE NOTED TOLERANCES ARE:
DECIMALS DIAMETER

DRAWN	C. ZUNIGA	10/19/98
CHECKED		
ORJ DRAWN	C. ZUNIGA	7/17/97
APPROVALS		DATE

RF connectors
DIVISION OF RF INDUSTRIES, LTD.

7610 MIRAMAR RD
 SAN DIEGO, CA 92126
 (619)549-6340
 (619)549-6345 FAX

RFD-1630-2-E

7-16 DIN FEMALE CRIMP

SIZE	CABLE GROUP	DWG NO.	REV
A	E, I, PL	8728	C
SCALE:	2:1	CAD FILE	13ARC B
			SHEET 1 OF 1