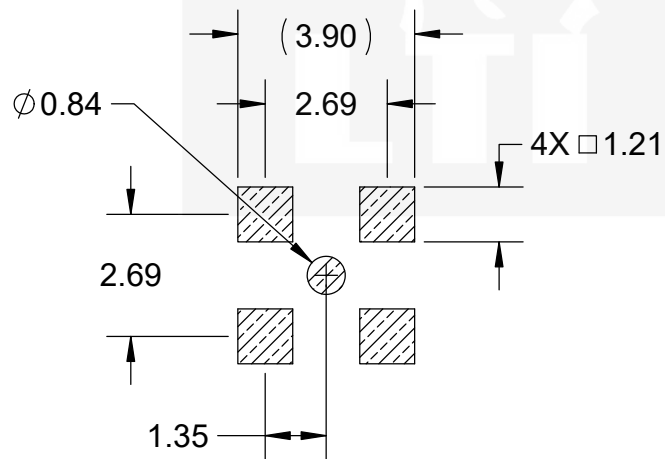
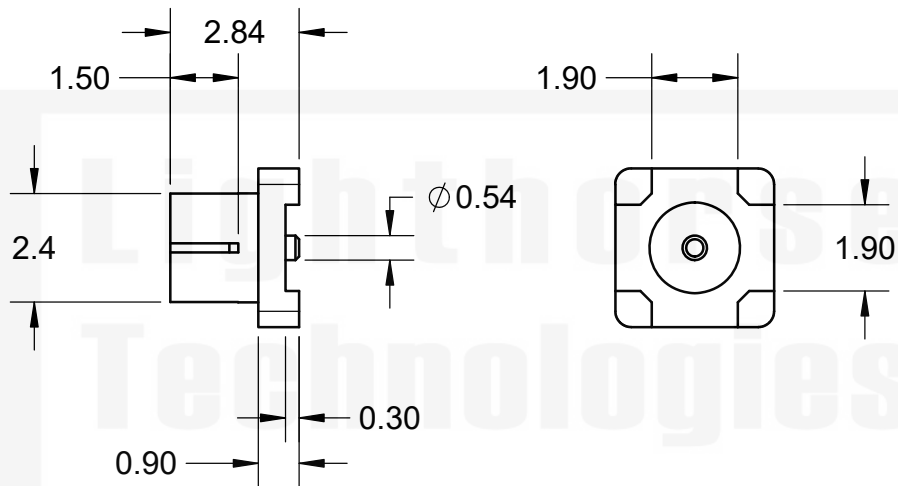
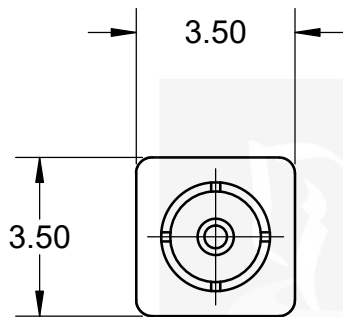


| ITEM: | MATERIAL: | FINISH: | NOTES: | REVISIONS | | | | |
|----------------|--------------------------|---------------|---|-----------|-----|---|-----------|------------|
| | | | | REV | ECR | DESCRIPTION | DRAWN | DATE |
| CONNECTOR BODY | BRASS, NOTE 1 | GOLD, NOTE 8 | 1. PER QQ-B-626 2. PER QQ-S-764 3. PER QQ-C-530 4. PER QQ-B-750 5. PER MIL-P-19468 6. PER ZZ-R-765 7. PER WW-T-799 8. GOLD PLATED 5µin MIN. OVER NICKEL PLATE 50µin MIN. OVER COPPER STRIKE. 9. NICKEL PLATE 100µin MIN. OVER COPPER STRIKE. 10. PER ASTM-A967 11. GOLD PLATE 30µin MIN. OVER NICKEL PLATE 50µin MIN. OVER COPPER STRIKE. 12. TIN ZINC PLATE 100µin MIN. OVER COPPER STRIKE. | 1 | | REDRAWN UTILIZING SOLIDWORKS 3D AND REFORMATTED | P. BURDGE | 11/04/2014 |
| CENTER CONTACT | BERYLLIUM COPPER, NOTE 3 | GOLD, NOTE 11 | | | | | | |
| INSULATION | TEFLON, NOTE 5 | ---- | | | | | | |
| FERRULE | ---- | ---- | | | | | | |
| GASKET | ---- | ---- | | | | | | |
| HEX NUT | ---- | ---- | | | | | | |
| LOCK WASHER | ---- | ---- | | | | | | |




SUGGESTED PCB PATTERN



DO NOT SCALE DRAWING
 TOLERANCES UNLESS OTHERWISE SPECIFIED
 DIMENSIONS ARE IN MILLIMETERS
 X = ±0.5
 X.X = ±0.25
 X.XX = ±0.13
 ANGLE = ±30°



| CUSTOMER APPROVAL | | |
|-------------------|-----------|------------|
| SIGN / DATE: | | |
| ENG APPR. | | |
| CHECKED | | |
| DRAWN | P. BURDGE | 02/26/2013 |
| | NAME | DATE |



Lighthouse Technologies
 San Diego, CA
 WWW.RFCONNECTOR.COM

TITLE:
IPX, JACK, PCB SMD, GOLD, TEFLON, EXT LENGTH

| | | |
|------------|------------------|--------------|
| SIZE | PART/DWG. NO: | REV |
| A | IPXSF66GT | 1 |
| SCALE: 6:1 | FILE NAME | SHEET 1 OF 1 |

PROPRIETARY AND CONFIDENTIAL
 UNLESS OTHERWISE SPECIFIED, THIS DOCUMENT CONTAINS LIGHORSE TECHNOLOGIES INFORMATION. REPRODUCTION, USE, DISCLOSURE OR TRANSMITTAL OF ALL OR ANY PART OF THIS DOCUMENT IS PROHIBITED EXCEPT TO THE EXTENT APPROVED IN WRITING BY AN AUTHORIZED REPRESENTATIVE OF LIGHORSE TECHNOLOGIES. LIGHORSE TECHNOLOGIES RESERVES ALL RIGHTS UNDER PATENTS, TRADEMARKS, COPY RIGHTS AND TRADE SECRETS. COPY RIGHTS OF LIGHORSE TECHNOLOGIES 2011, ALL RIGHTS RESERVED.

