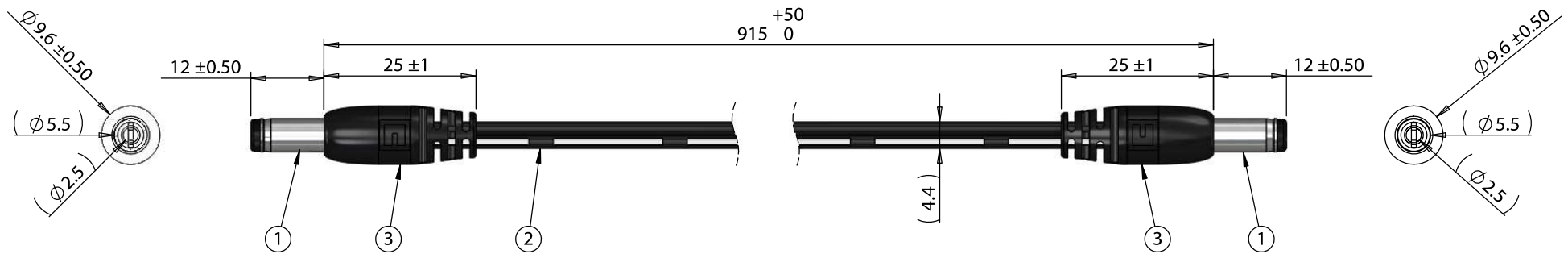


ITEM NO.	PART NUMBER	DESCRIPTION	QTY.	COMPONENT NOTES
1	50-00026	Connector, dc plug, 5.5x2.5xL23 mm, molding style, spring contacts	2	
2	30-00395	Wire, 2C TS, 18 AWG, UL2468, 300V, 80C, 4.4 mm, VW-1, PVC, 87A	1	
3	24-00003	Overmold, PVC	2	



Notes:
Functionally equivalent components may be substituted

Wiring Diagram		
50-00026	wire color	50-00026
center	black with stripe	center
sleeve	black	sleeve

Revision:	Date:	Description:	Prepared:	Notes:	<h1>TENSILITY</h1> tel 1.541.323.3228 800 877.670.7118 fax 1.541.323.4202 web tensility.com
A	7/28/2017	Initial release	PS Digitally signed by PS Date: 2017.07.28 15:40:24 -07'00'		
			Verified:	Function test: no open, no short circuit, no intermittent	Size: Part number: A 10-02554
			LA Digitally signed by LA Date: 2017.07.28 16:05:33 -07'00'		
			Dimensions are in millimeters. Tolerances: X: ± 0.5 mm X.X: ± 0.3 mm X.XX: ± 0.05 mm	Description:	Scale: 1:1
				Cable, 915 mm, 5.5x2.5x12 mm 50-00026 dc plug to same, 18 AWG, UL2468, 30-00395 wire	Sheet 1 of 1