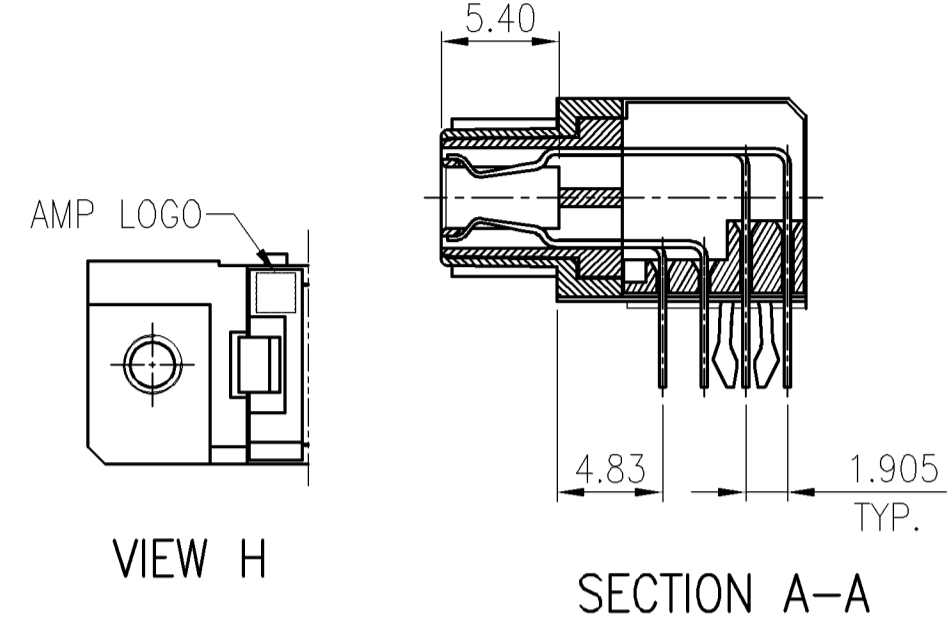
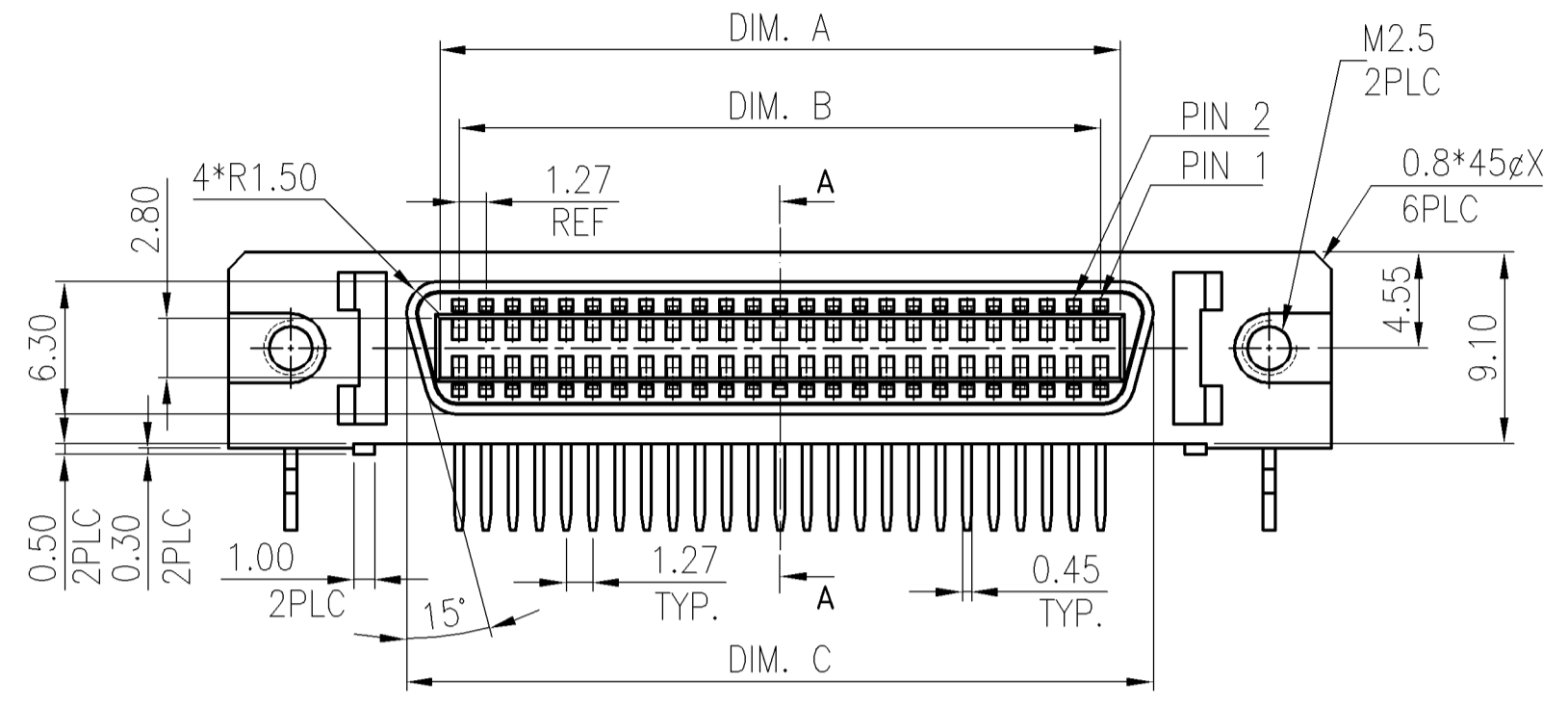
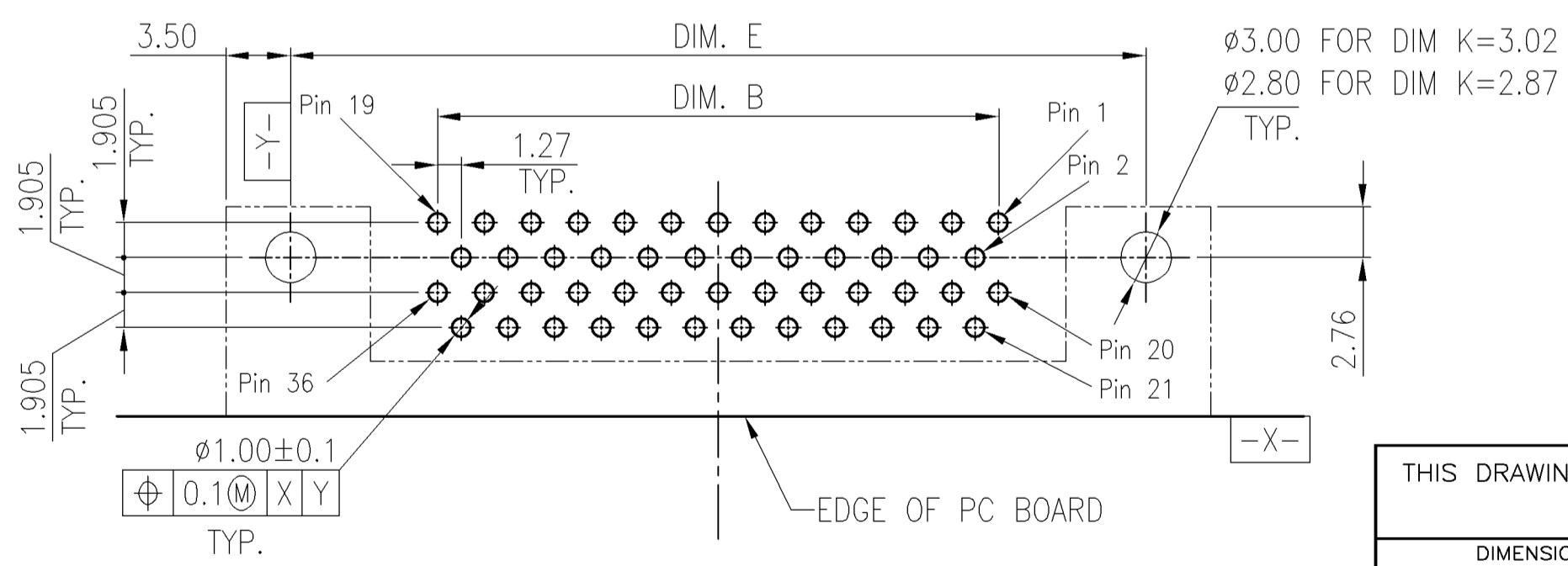
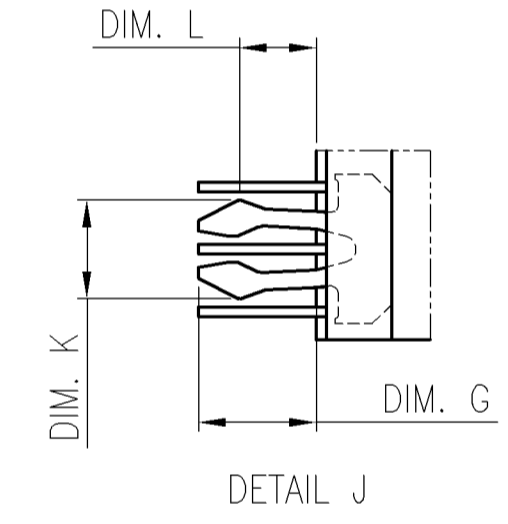
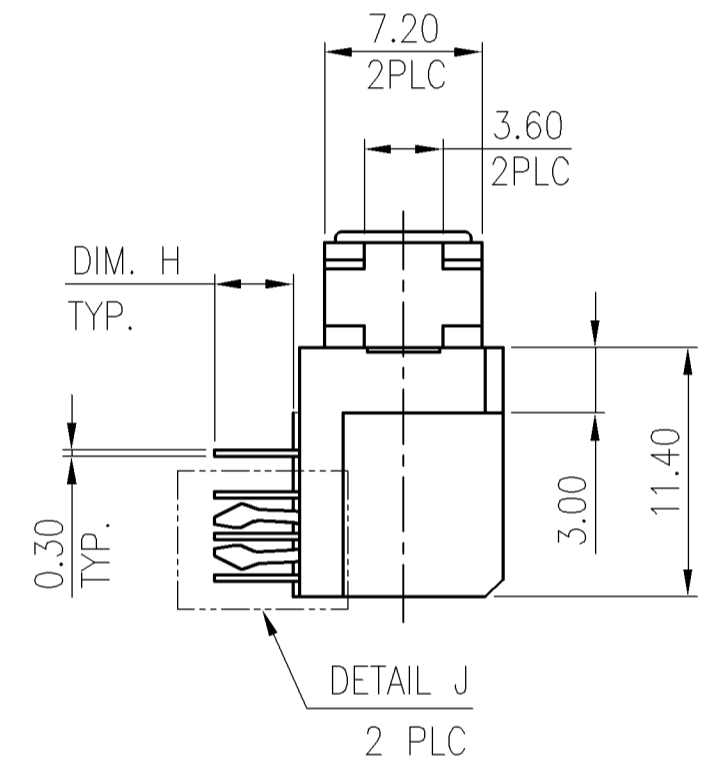
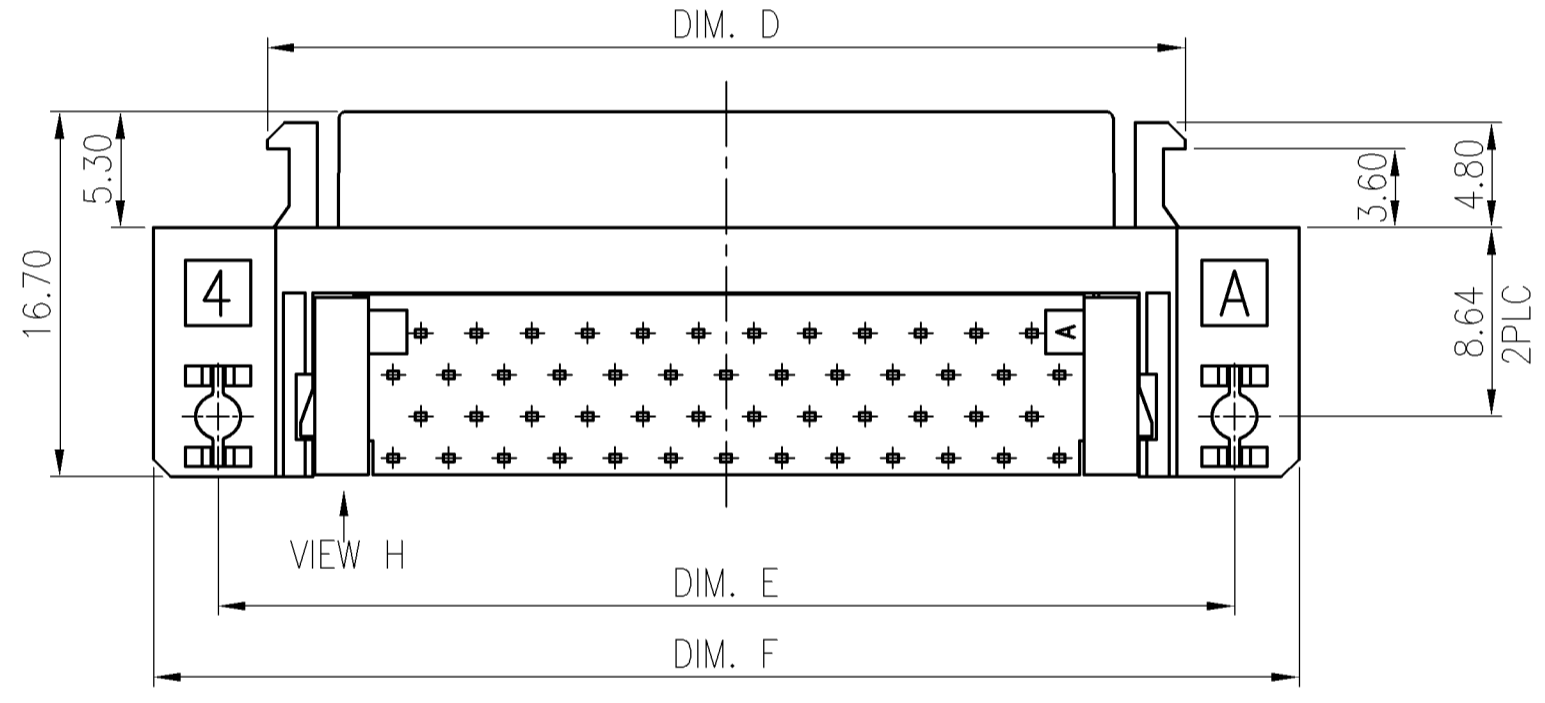


THIS DRAWING IS UNPUBLISHED. RELEASED FOR PUBLICATION
 © COPYRIGHT BY TYCO ELECTRONICS CORPORATION. ALL RIGHTS RESERVED.

LOC	DIST	REVISIONS					
DW	—	P	LTR	DESCRIPTION	DATE	DWN	APVD
			A2	REVISED (ECR-09-020360)	14SEP09	JL	WK



- NOTES:
- MATERIAL:
 - HOUSING: THERMOPLASTIC (LCP), UL94V-0; COLOR: BLACK.
 - SPACER: THERMOPLASTIC (LCP), UL94V-0; COLOR: BLACK.
 - CONTACTS: PHOSPHOR BRONZE
 - SHELL: ZINC ALLOY
 - BOARD LOCK: PHOSPHOR BRONZE
 - FINISH:
 - CONTACT:
 - 0.762μm (30μ") GOLD PLATING ON CONTACT AREA.
 - 2.54μm (100μ") MIN. BRIGHT-TIN PLATING ON SOLDER TAIL AREA, 1.27μm (50μ") MIN. NICKEL UNDERPLATING OVERALL,
 - BOARD LOCK:
 - 2.54μm (100μ") MIN. BRIGHT-TIN PLATING ON SOLDER TAIL AREA, 1.27μm (50μ") MIN. NICKEL UNDERPLATING OVERALL,
 - NET WEIGHT: 14POS.=8gram; 26POS.=9gram; 36POS.=10gram.
 - WAVE SOLDER CAPABLE TO 265°C PER TE SPEC. 109-202, CONDITION B.



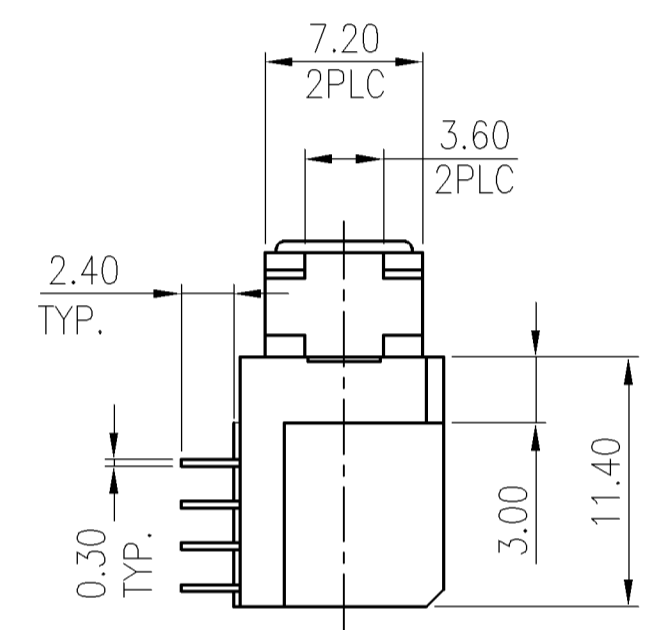
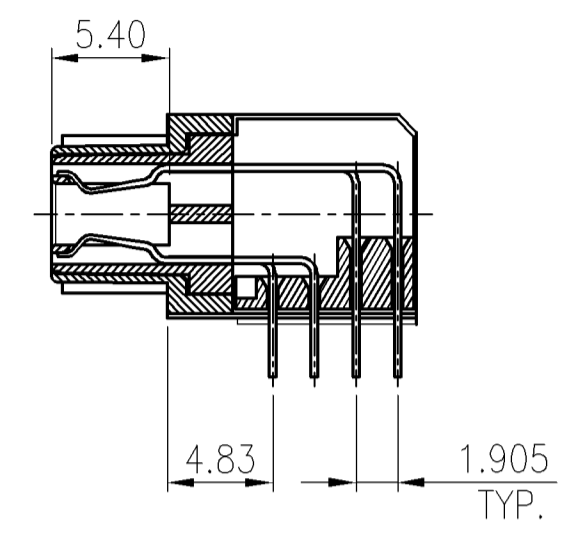
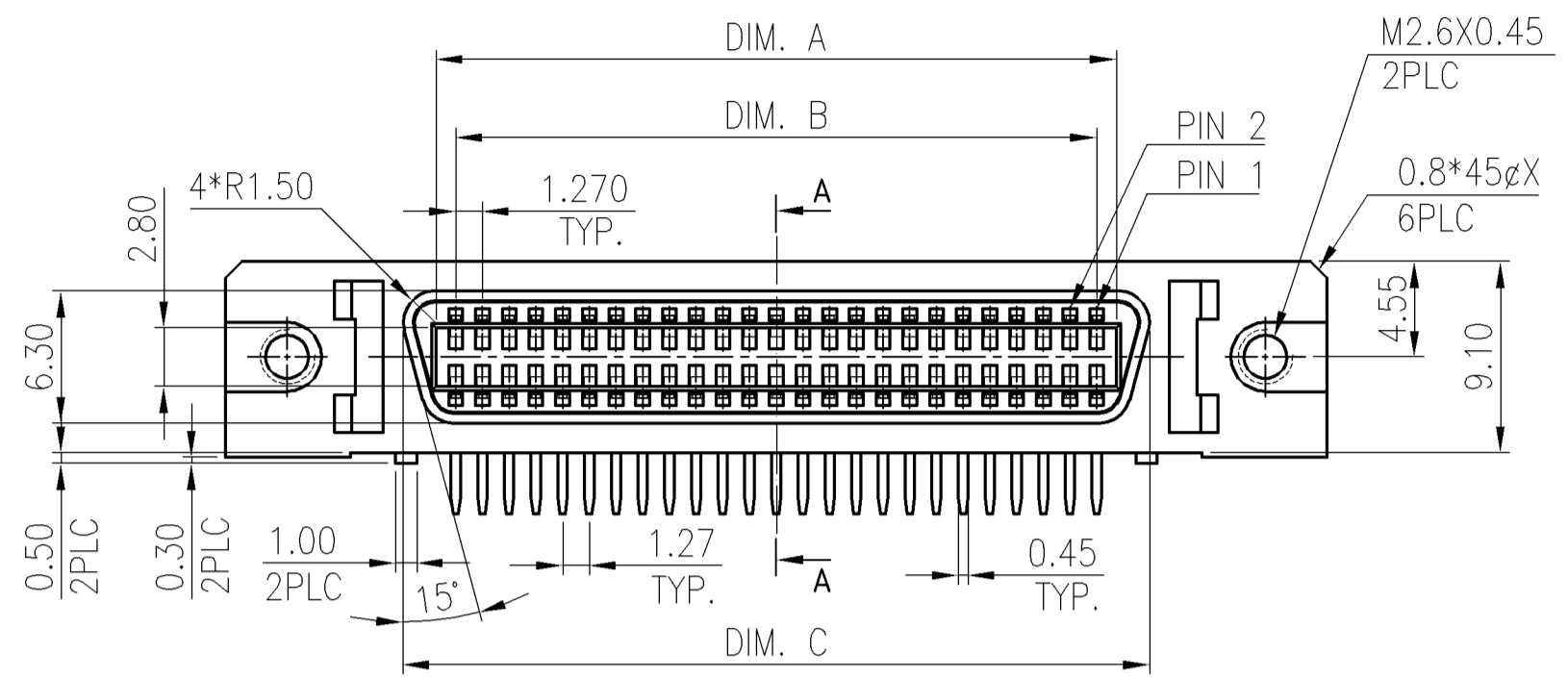
AVAILABLE	T&R	1.60	2.87	2.80	3.80	43.51	37.61	33.11	26.61	21.59	23.46	36	4-1734586-3
						37.16	31.26	26.76	20.26	15.24	17.11	26	4-1734586-2
						29.54	23.64	19.14	12.64	7.62	9.49	14	4-1734586-1
AVAILABLE	T&R	2.35	3.02	2.80	3.80	43.51	37.61	33.11	26.61	21.59	23.46	36	1-1734586-3
						37.16	31.26	26.76	20.26	15.24	17.11	26	1-1734586-2
						29.54	23.64	19.14	12.64	7.62	9.49	14	1-1734586-1
NOT AVAILABLE	TRAY	0.70	3.02	2.40	2.40	29.54	23.64	19.14	12.64	7.62	9.49	14	1734586-2
						37.16	31.26	26.76	20.26	15.24	17.11	26	1734586-1
TOOLING STATUS	PKG. TYPE	DIM L	DIM K	DIM H	DIM G	DIM F	DIM E	DIM D	DIM C	DIM B	DIM A	NO. OF CONTACTS	PART NUMBER

THIS DRAWING IS A CONTROLLED DOCUMENT.

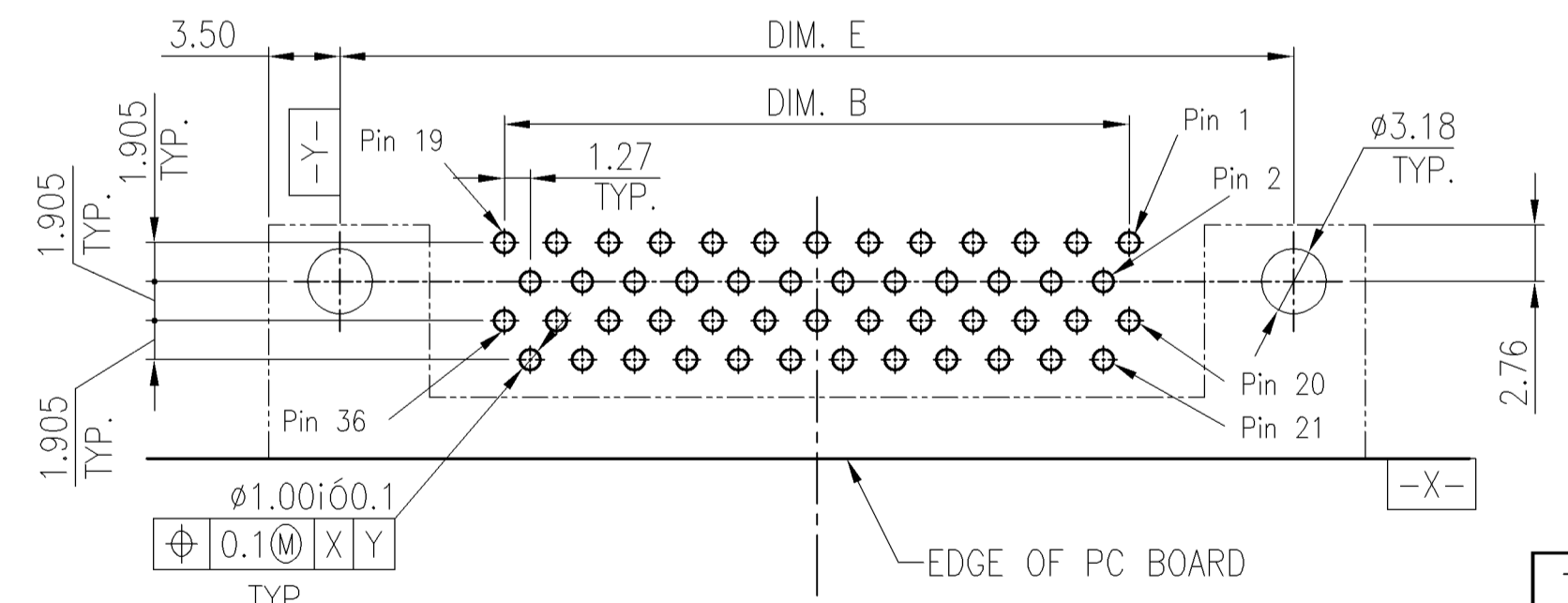
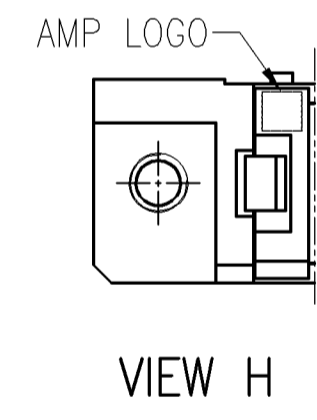
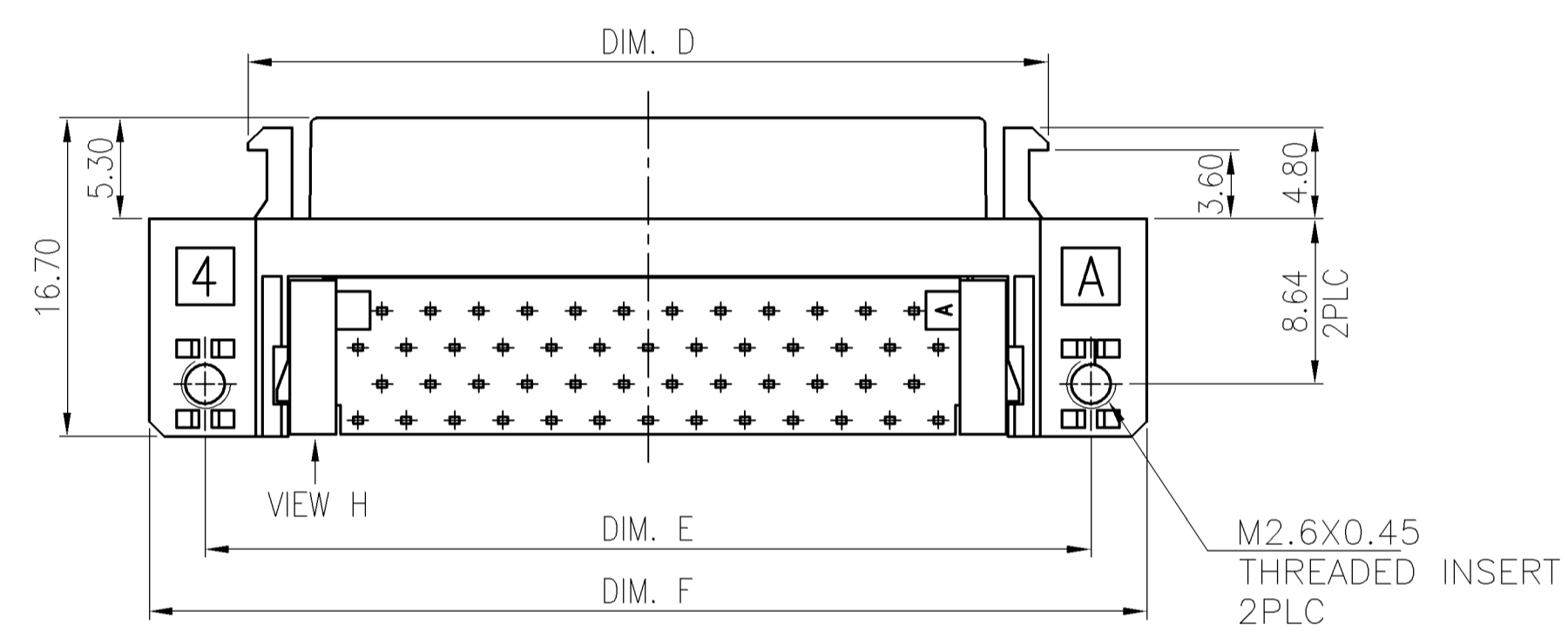
DIMENSIONS: MM	TOLERANCES UNLESS OTHERWISE SPECIFIED:	DWN H. HUANG 12SEP2007	Tyco Electronics Corporation Taipei, Taiwan	
	0 PLC ± -	CHK S. HOU 12SEP2007	NAME	
	1 PLC ± 0.35	APVD W.J. KE 12SEP2007	CHAMP .050 SERIES, RIGHT ANGLE THRU-HOLE	
	2 PLC ± 0.25	PRODUCT SPEC	108-57642	RESTRICTED TO
	3 PLC ± -	QUALIFICATION TEST REPORT	501-57748	—
	4 PLC ± -	WEIGHT	A3 00779	SCALE —
	ANGLES ± -	CUSTOMER DRAWING	C=1734586	SHEET 1 OF 4
MATERIAL SEE NOTE	FINISH SEE NOTE			REV A2

THIS DRAWING IS UNPUBLISHED. RELEASED FOR PUBLICATION
 © COPYRIGHT BY TYCO ELECTRONICS CORPORATION. ALL RIGHTS RESERVED.

LOC		DIST		REVISIONS					
DW				P	LTR	DESCRIPTION	DATE	DWN	APVD
						SEE SHEET 1.			



SECTION A-A



RECOMMENDED PCB LAYOUT

NOT AVAILABLE	TRAY	37.16	31.26	26.76	20.26	15.24	17.11	26	2-1734586-2
TOOLING STATUS	PKG. TYPE	29.54	23.64	19.14	12.64	7.62	9.49	14	2-1734586-1
		DIM F	DIM E	DIM D	DIM C	DIM B	DIM A	NO. OF CONTACTS	PART NUMBER

THIS DRAWING IS A CONTROLLED DOCUMENT.		DWN H. HUANG 12SEP2007	Tyco Electronics Corporation Tyco Electronics Taipei, Taiwan	
DIMENSIONS: MM		CHK S. HOU 12SEP2007	NAME	
TOLERANCES UNLESS OTHERWISE SPECIFIED:		APVD W.J. KE 12SEP2007	CHAMP .050 SERIES, RIGHT ANGLE THRU-HOLE	
0 PLC ± -		PRODUCT SPEC	QUALIFICATION TEST REPORT	RESTRICTED TO
1 PLC ± 0.35		SIZE A3		CAGE CODE 00779
2 PLC ± 0.25		DRAWING NO C=1734586		SCALE -
3 PLC ± -		CUSTOMER DRAWING		SHEET 2 OF 4
4 PLC ± -		REVISIONS		REV A2
ANGLES ± -		SCALE -		
FINISH		SCALE -		
SEE NOTE		SCALE -		
SEE NOTE		SCALE -		

THIS DRAWING IS UNPUBLISHED.

RELEASED FOR PUBLICATION

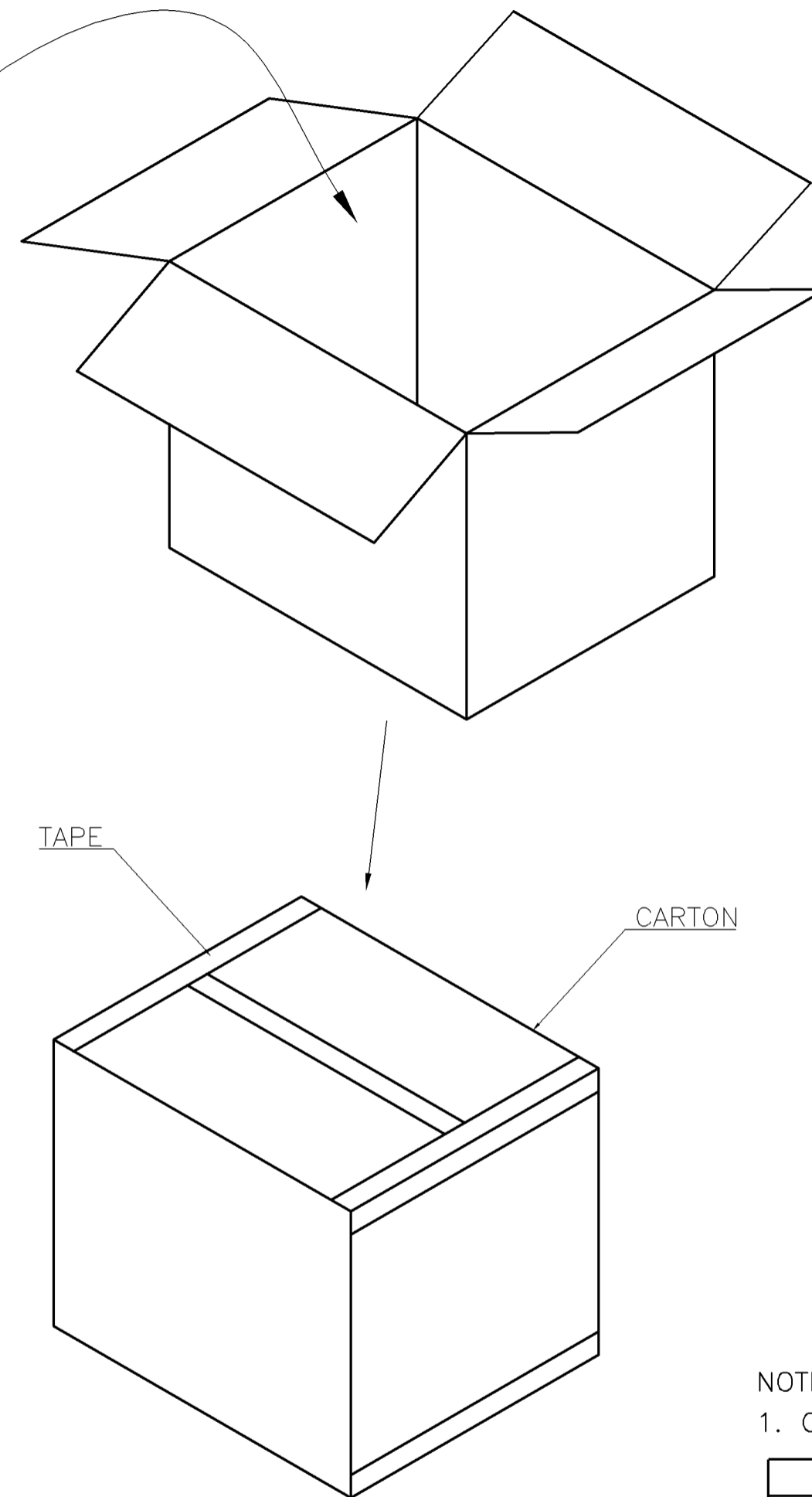
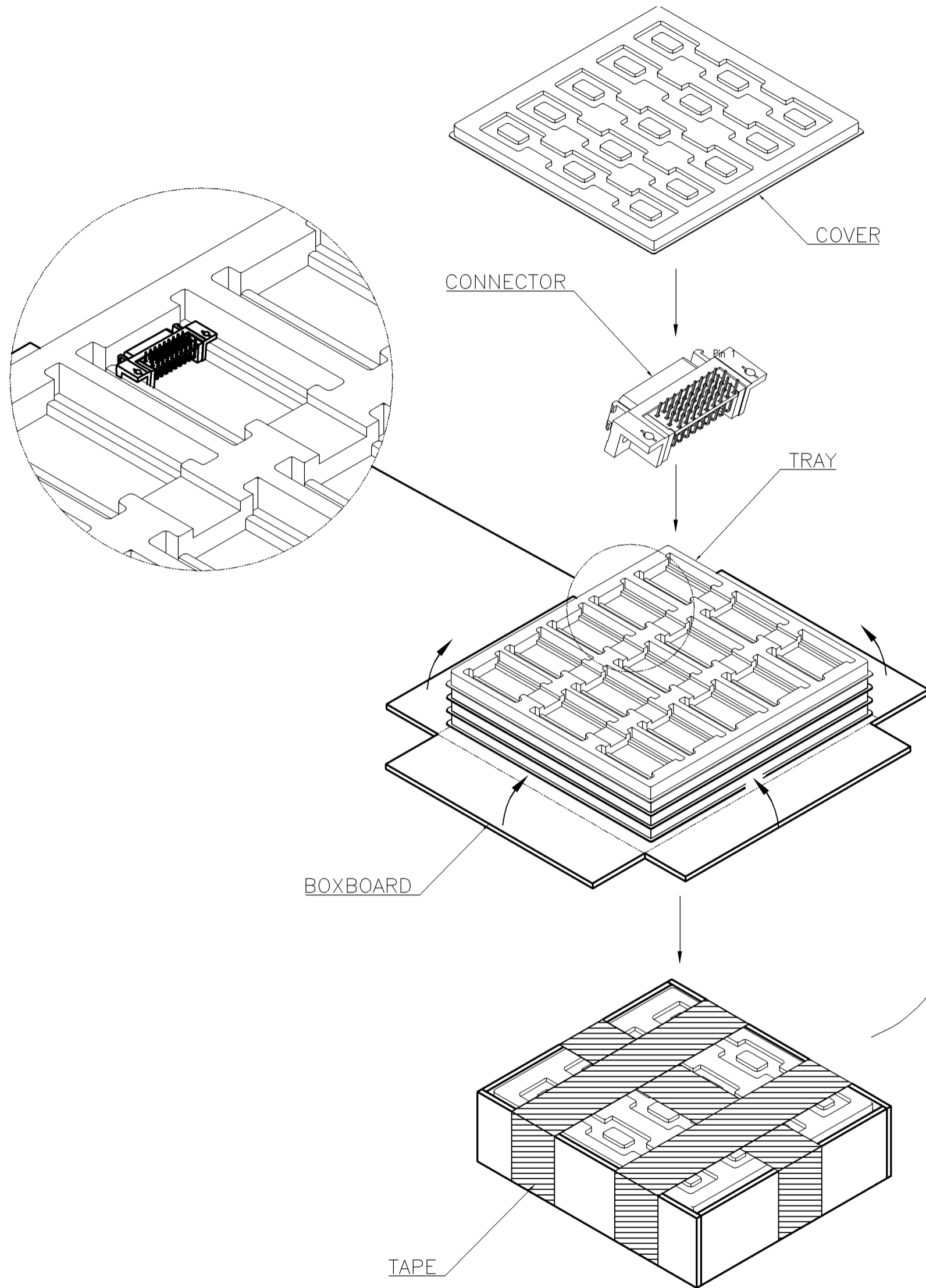
© COPYRIGHT BY TYCO ELECTRONICS CORPORATION. ALL RIGHTS RESERVED.

LOC DW

DIST —

REVISIONS

P	LTR	DESCRIPTION	DATE	DWN	APVD
		SEE SHEET 1.			



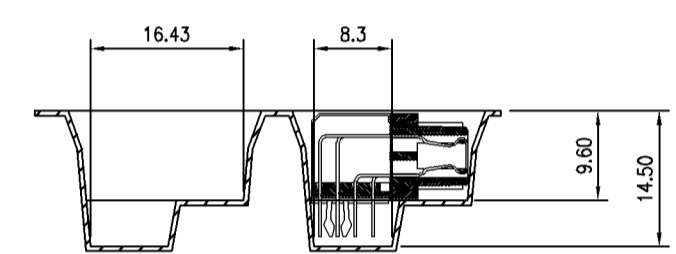
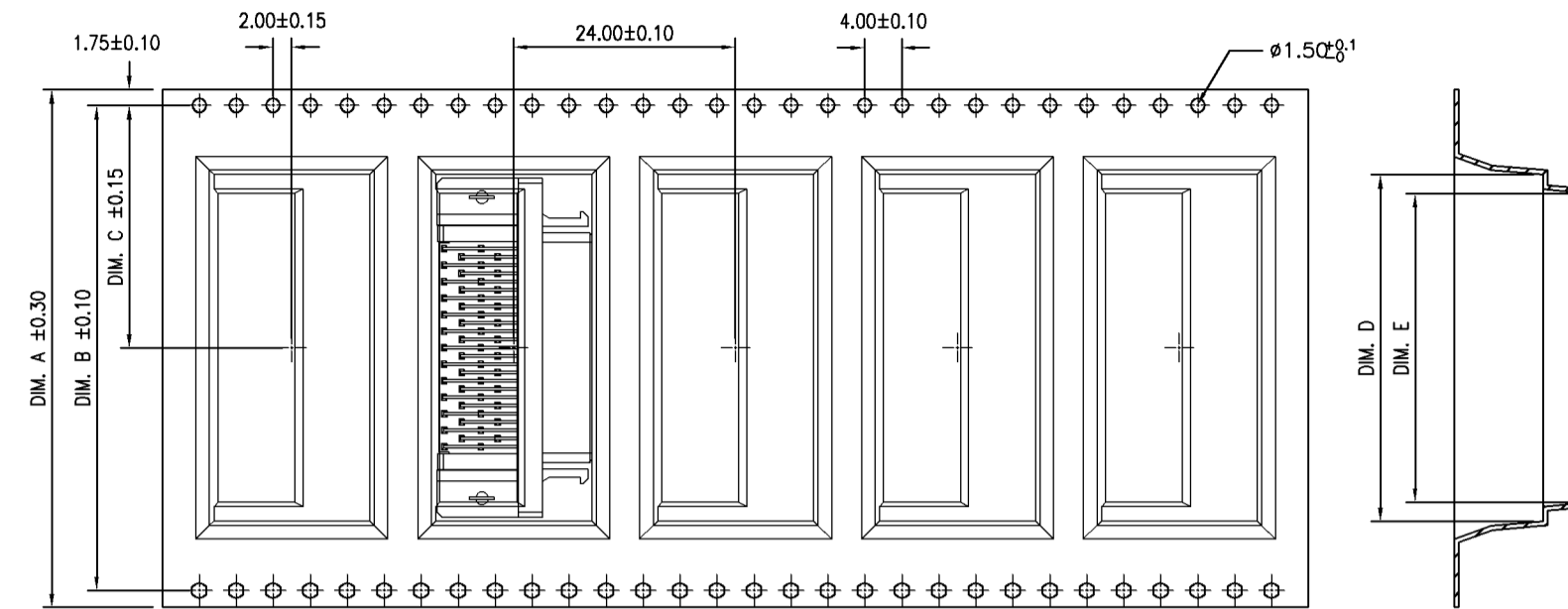
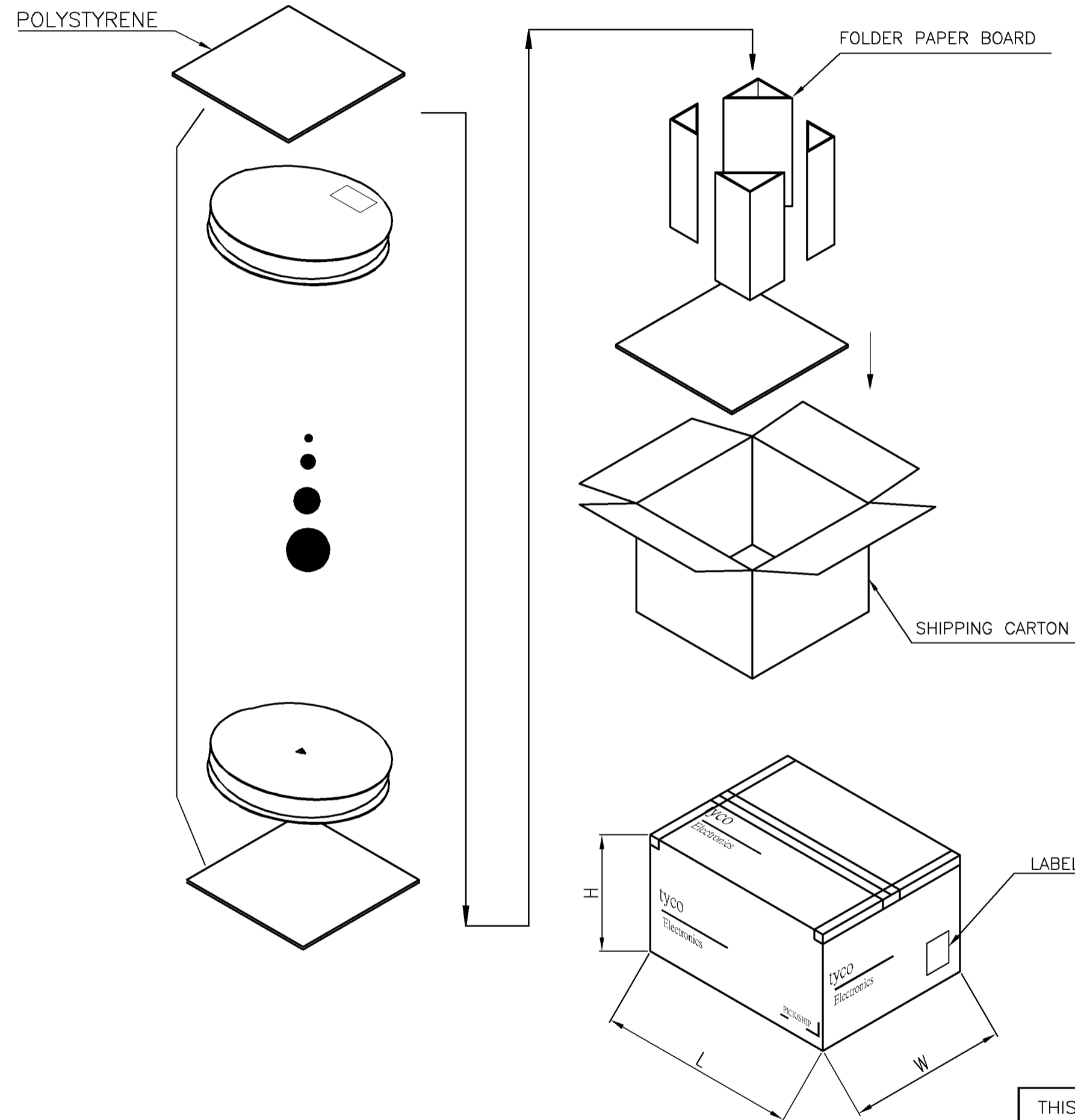
NOTE:
1. CARTON DIMENSIONS: 370 X 310 X 200.

PCS/BOXBOARD	BOXBOARDS/CARTON	QUANTITY	NO. OF CONTACTS
300	2 PCS	600	26
360	2 PCS	720	14

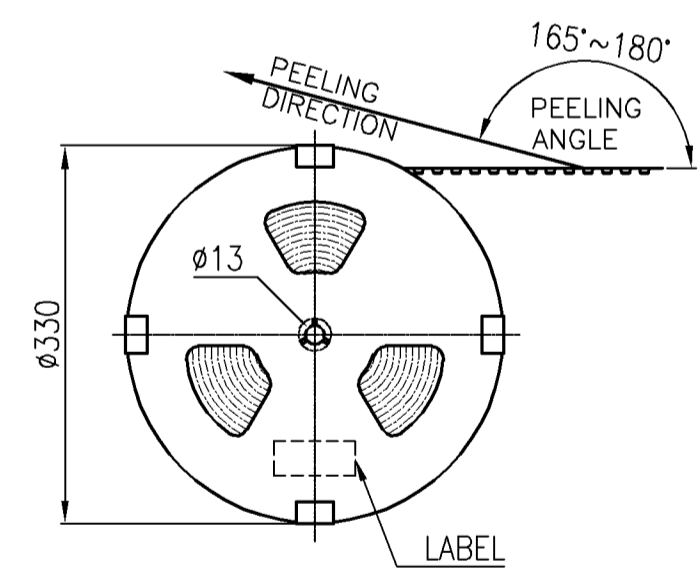
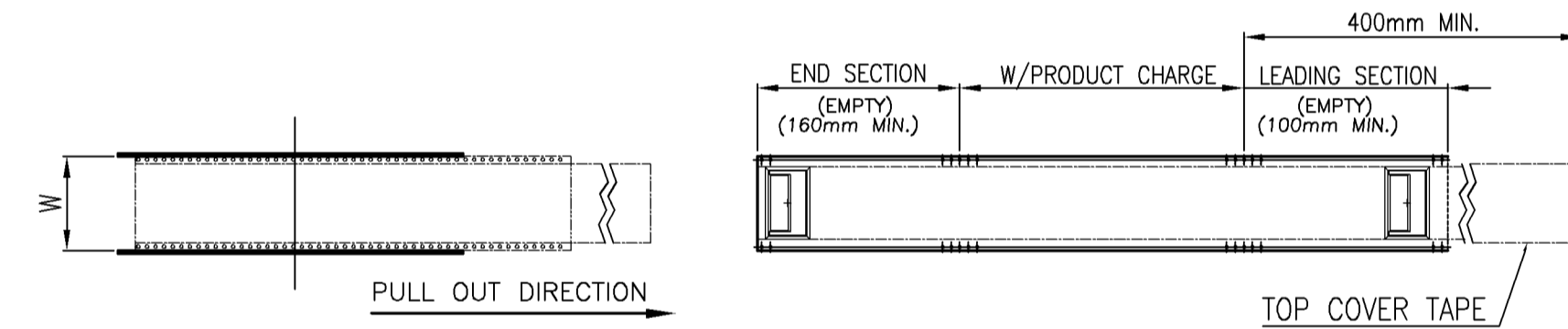
THIS DRAWING IS A CONTROLLED DOCUMENT.		DWN H. HUANG 12SEP2007	Tyco Electronics Corporation Taipei, Taiwan	
DIMENSIONS: MM		CHK S. HOU 12SEP2007		
		APVD W.J. KE 12SEP2007	NAME CHAMP .050 SERIES, RIGHT ANGLE THRU-HOLE	
TOLERANCES UNLESS OTHERWISE SPECIFIED:		PRODUCT SPEC	SIZE A3	
0 PLC ± -		APPLICATION SPEC	CAGE CODE 00779	DRAWING NO C=1734586
1 PLC ± -		—	RESTRICTED TO	
2 PLC ± -		—	—	
3 PLC ± -		—	—	
4 PLC ± -		—	—	
ANGLES ± -		WEIGHT	—	
FINISH		CUSTOMER DRAWING		
MATERIAL		SCALE		SHEET 3 OF 4
—		—		REV A2

THIS DRAWING IS UNPUBLISHED. RELEASED FOR PUBLICATION
 © COPYRIGHT BY TYCO ELECTRONICS CORPORATION. ALL RIGHTS RESERVED.

LOC DW	DIST —	REVISIONS		
P	LTR	DESCRIPTION	DATE	DWN
		SEE SHEET 1.		APVD



- NOTES:
 1. MATERIAL :
 1.1 EMBOSSED CARRIER: PS
 1.2 COVER TAPE: PS
 1.3 SHIPPING CARTON: CORRUGATED FIBER
 2. SHIPPING CARTON: L=350, W=350, H=340
 3. PEELING RESISTANCE: 10.2gf~71.4gf.
 4. PEELING SPEED: 300mm/minutes.



39.8	43.81	34.20	68.40	72	100	4	400	36
33.4	37.46	26.25	52.50	56	100	5	500	26
25.8	29.84	26.25	52.50	56	100	6	600	14
DIM.E	DIM.D	DIM.C	DIM.B	DIM.A	PCS/REEL	REEL / CARTON	QUANTITY/ CARTON	NO. OF CONTACTS

THIS DRAWING IS A CONTROLLED DOCUMENT.

DIMENSIONS: MM	TOLERANCES UNLESS OTHERWISE SPECIFIED:	DWN H. HUANG 12SEP2007	Tyco Electronics Corporation Taipei, Taiwan	
	0 PLC ± - 1 PLC ± - 2 PLC ± - 3 PLC ± - 4 PLC ± - ANGLES ± -	CHK S. HOU 12SEP2007	NAME	
MATERIAL	FINISH	APVD W.J. KE 12SEP2007	CHAMP .050 SERIES, RIGHT ANGLE THRU-HOLE	
		PRODUCT SPEC	SIZE	RESTRICTED TO
		APPLICATION SPEC	A3	
		WEIGHT	CAGE CODE	
		CUSTOMER DRAWING	G=1734586	
			SCALE	SHEET 4 OF 4
				REV A2