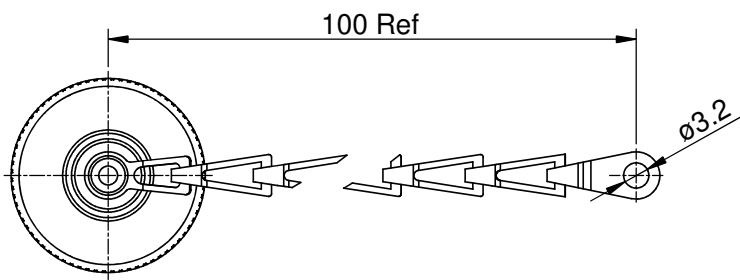
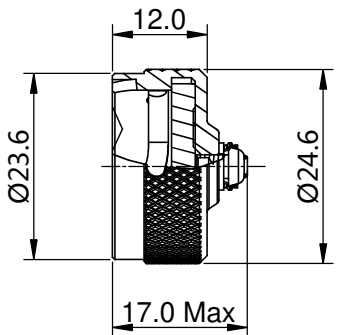


REVISIONS					
REV	ECO	DESCRIPTION	DATE	BY	APPR
B1	-	RELEASED DRAWING	JUN-23-2014	BEN	TOMMY



RT012DC X X
① ②

P/N	①	②	CHAIN	PLATING
RT012DC	---	---	NO CHAIN	NICKEL PLTING
RT012DCA	---	A	NO CHAIN	BLACK ANODIZING
RT012DCG	G	---	CHAIN	NICKEL PLTING
RT012DCGA	G	A	CHAIN	BLACK ANODIZING

NOTES : (UNLESS OTHERWISE SPECIFIED)

1. MATERIAL :
 RIVET : COPPER ALLOY,NICKEL PLATING
 CHAIN : STAINLESS STEEL.
 DUST CAP : AL ALLOY , NICKEL PLATED.
 O-RING : NBR.
2. SPECIFICATIONS :
 - 2.1 OPERATING TEMPERATURE : -40°C ~ +105°C.
 - 2.2 IP--CLASS : IP67.
 - 2.3 MATING CYCLES DURABILITY : 500 CYCLES MIN.
 - 2.4 ROHS COMPLIANT.
3. ALL DIMENSIONS ARE FOR REFERENCE USE ONLY.

SEE PART NUMBER CHART		DESCRIPTION		ITEM
QUANTITY	PART NUMBER			
MATERIALS LIST				
UNLESS OTHERWISE SPECIFIED 1) All dimensions are in metric(mm). 2) Tolerances are as follows: 1 PL DEC ±0.30 Fractions: ±1/64 2 PL DEC ±0.15 Angles ±1° 3 PL DEC ±0.08		SIGNATURES DRAWN: BEN CHECKED: ENGINEER: APPROVAL:		DATE JUN-23-2014
MATERIAL SPECIFICATIONS:		CUSTOMER:		<h1>Amphenol</h1> <p>Sine Systems - www.amphenol-sine.com 44724 Morley Drive Clinton Township, MI 48036</p> <p>ECO-MATE,DUSTCAP FOR RECEPTACLES,SIZE 12</p>
PROCESS SPECIFICATIONS:		THIS DRAWING IS SUPPLIED FOR INFORMATION ONLY. DESIGN FEATURES, SPECIFICATIONS AND PERFORMANCE DATA SHOWN HEREON ARE THE PROPERTY OF THE AMPHENOL CORPORATION. NO RIGHTS OF REPRODUCTION ARE IMPLIED. ALL DIMENSIONS ARE SUBJECT TO NORMAL MANUFACTURING VARIATIONS.		
NEXT ASSY:		SCALE: NONE		
		SIZE B C-	TYPE -	DWG NO: RT012DCxx
				REVISION B1
				SHEET 1 OF 1

TITLE: ECO-MATE,DUSTCAP FOR RECEPTACLES,SIZE 12
DWG NO: RT012DCXX
REV: B1
SH: 1
OF: 1