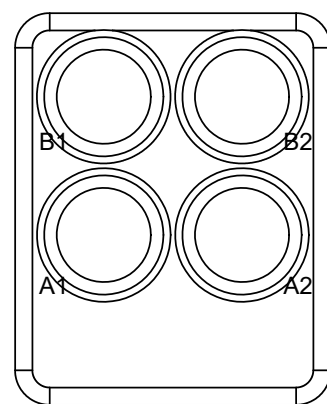
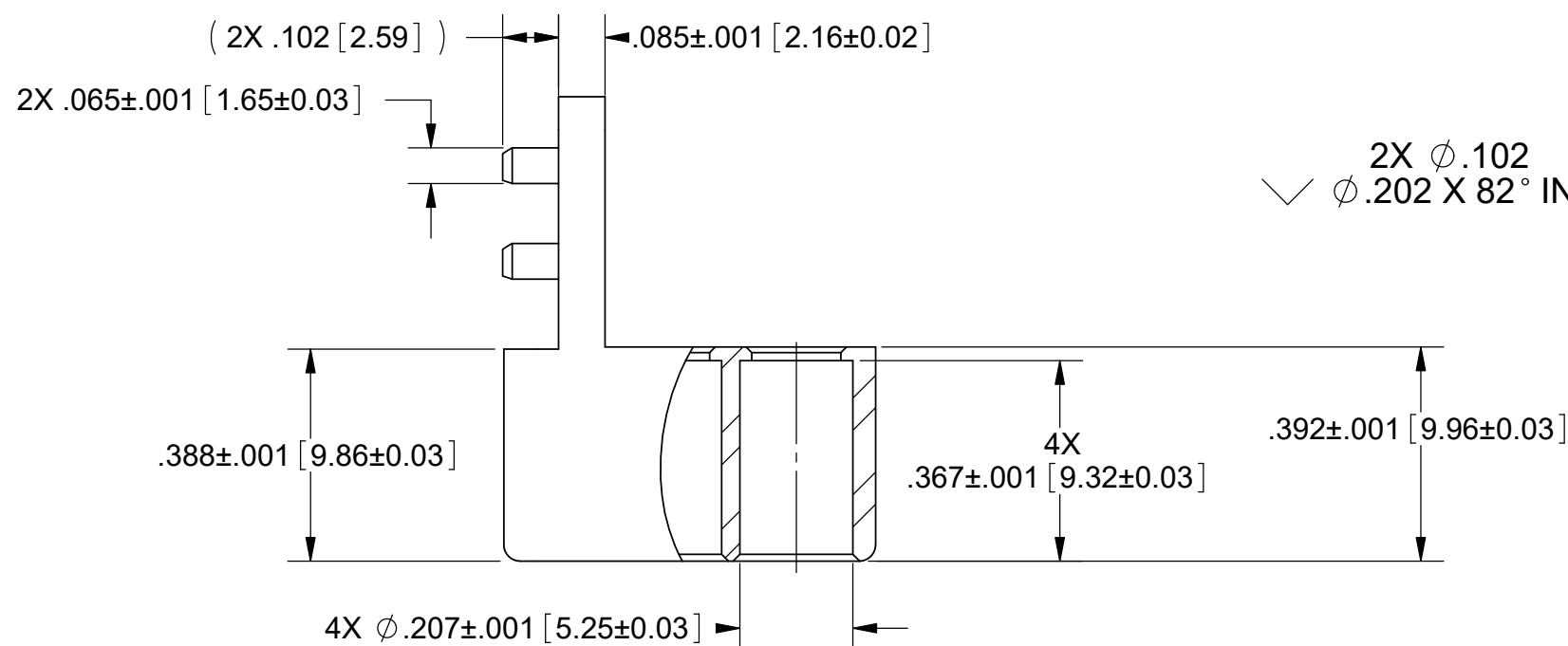
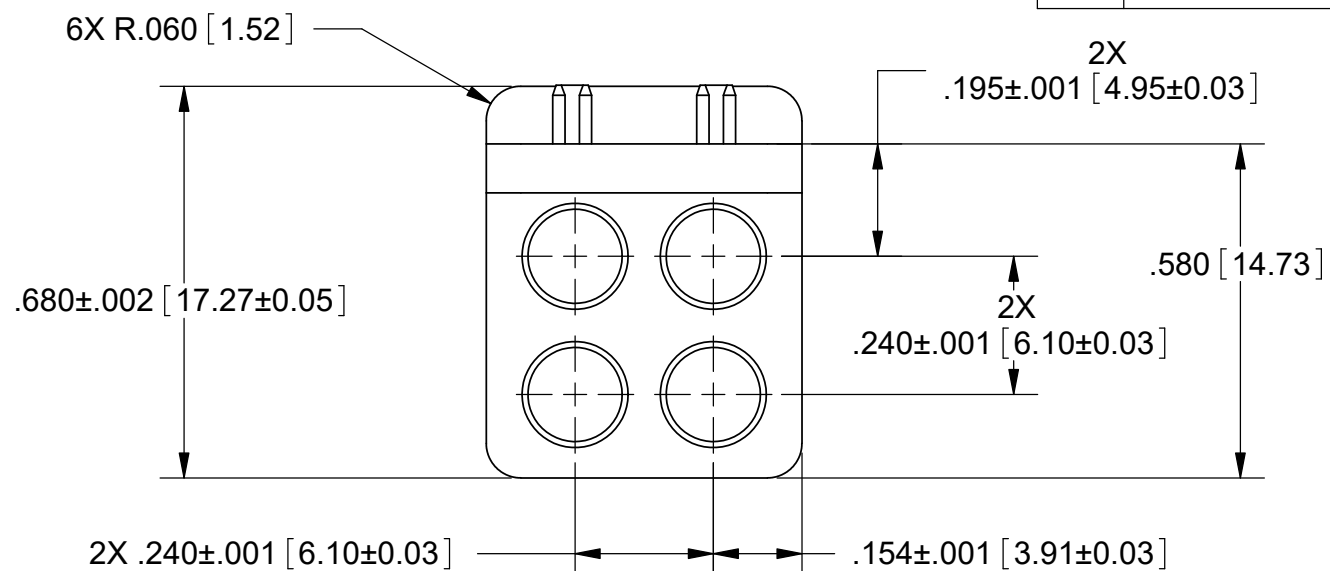


PRODUCT DATA DRAWING

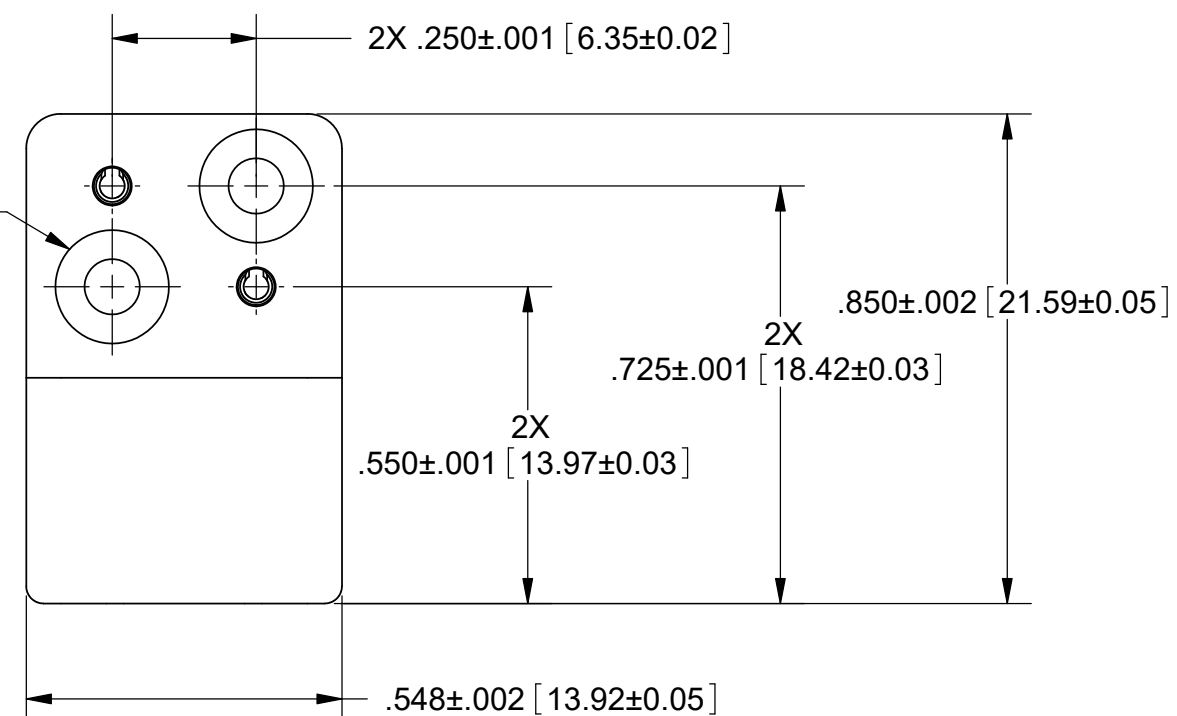
REVISION HISTORY			
REV	DESCRIPTION	DATE	APPROVED
C	DCN 46743	08/17	DAL
D	DCN 48136	11/18	STW



CAVITY IDENTIFICATION



2X ϕ .102
 \checkmark ϕ .202 X 82° INCL.



MATERIAL:

MODULE: STAINLESS STEEL PER AMS-5640, ALLOY UNS S30300, TYPE 1

ALIGNMENT PINS: STAINLESS STEEL PER ASTM A313, ALLOY UNS S30200, TYPE 302.

FINISH:

MODULE & ALIGNMENT PINS: PASSIVATED PER AMS-2700.

MATERIAL: SEE NOTES	DIMENSIONS ARE IN INCHES TOLERANCES: FRACTIONAL: $\pm 1/64$ ANGULAR: X° $\pm 1'0''$ X"X' $\pm 15'$	UNLESS OTHERWISE SPECIFIED 1) ALL DIMENSIONS ARE IN INCHES (MILLIMETERS) 2) ALL DIMENSIONS ARE AFTER PLATING. 3) BREAK CORNERS & EDGES .005 R. MAX. 4) CHAM. 1ST & LAST THREADS. 5) SURFACE ROUGHNESS 63-MIL-STD-10. 6) DIA. 'S ON COMMON CENTERS TO BE CONCENTRIC WITHIN .005 T.I.R. 7) REMOVE ALL BURRS	SV Microwave, Inc. 2400 Centrepark West Drive, Suite 100 West Palm Beach, FL 33409
FINISH: SEE NOTES	DECIMAL: X $\pm .030$.XX $\pm .010$.XXX $\pm .005$	INTERPRET DIMENSIONS AND TOLERANCES PER ASME Y14.5M - 1994	TITLE: VITA 67.1 PLUG-IN 4 PORT MODULE
SURFACE AREA: N/A	THIRD ANGLE PROJECTION	DRAWN: JMC 12/29/10 CHECKED: STW 12/30/10 APPROVED: STW 12/30/10	SIZE: B CAGE CODE: 95077 DWG. NO.: SF9321-60015
PROPRIETARY THE INFORMATION CONTAINED IN THIS DRAWING IS THE SOLE PROPERTY OF SV MICROWAVE, INC. ANY REPRODUCTION IN PART OR AS A WHOLE WITHOUT THE WRITTEN PERMISSION OF SV MICROWAVE, INC IS PROHIBITED.			SCALE: 3:1 SHEET 1 OF 1