



IR1011

Photovoltaic Infrared Sensor

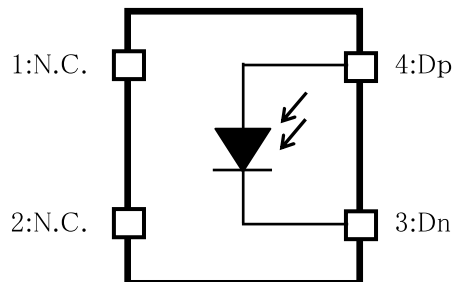
GENERAL DESCRIPTION

IR1011 is the world smallest mid-infrared quantum photo diode, made of InSb. This surface mount type sensor can be operated at room temperature, and applicable to human body detection, non-contacting temperature measurement, and NDIR gas sensor.

FEATURES

- Very small / thin package (2.65mm×1.9mm×0.4mm)
- High sensitivities
- Very fast response
- No bias current required

Pin Layout



Pinning / Function

Pin	Pin Name	Function
1	N.C.	N.C. (Please Open N.C. pin.)
2	N.C.	N.C. (Please Open N.C. pin.)
3	Dn	n- Output
4	Dp	p- Output

Absolute maximum ratings

Parameter	Symbol	Min.	Max.	Units
Voltage	Vin	-20	20	V
Ambient Temperature*1	Top	-40	85	°C
Storage Temperature	Tst	-40	85	°C

Note1: No bias voltage applied

Electrical properties

At room temperature Ta=25°C; unless otherwise specified

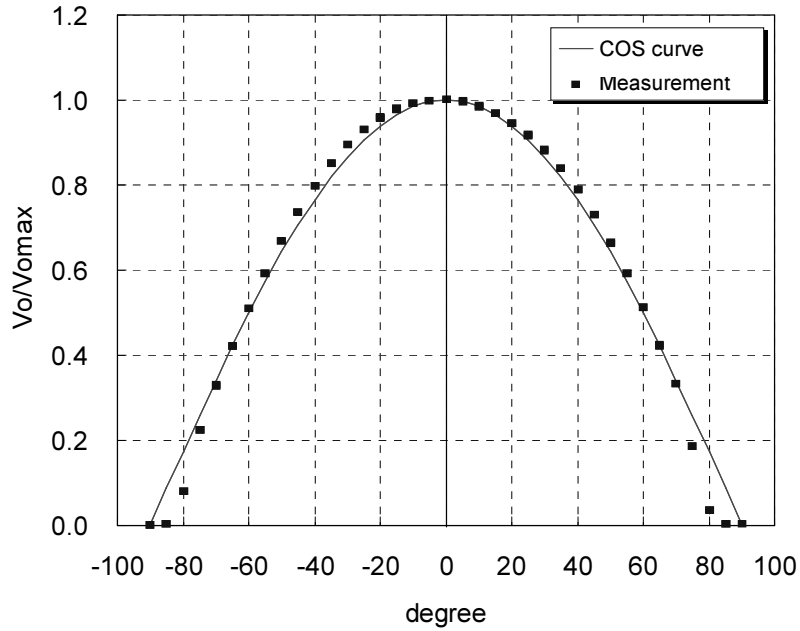
Parameter	Symbol	Min.	Typ.	Max.	Condition	Units
Output Current	Ip	4.5	6	7.5	500K Blackbody : diameter 22.2mmφ distance 10cm*2	nA*3
Internal resistance	Ro	112	150	188	Ic = ±0.005mA	kΩ

Note 2: Measurement conditions are subject to change without notice.

Note 3: 10Hz lock-in amplifier is used in this measurement.

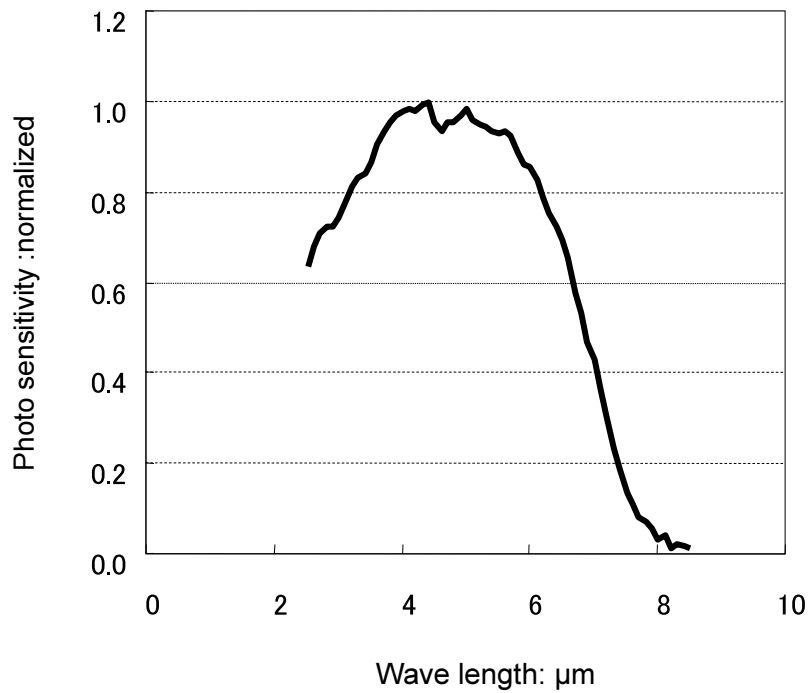
Optical characteristics

1. Incident angle and Output voltage



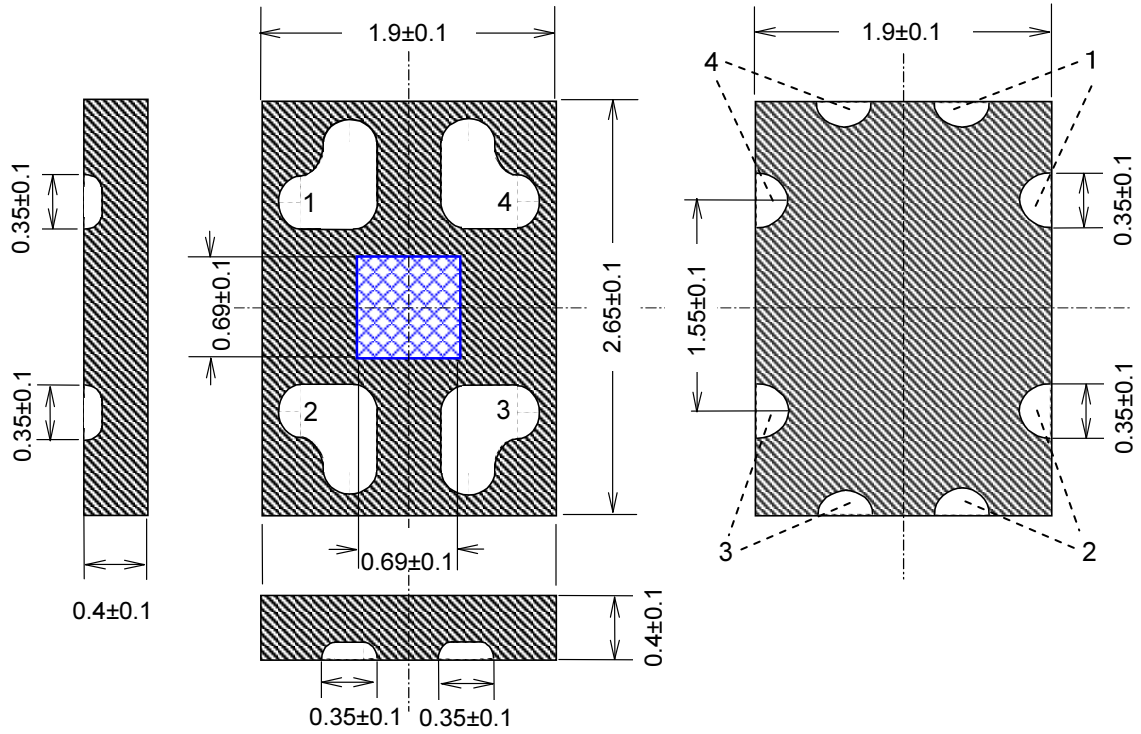
Incident angle and Output voltage

2. Spectral response



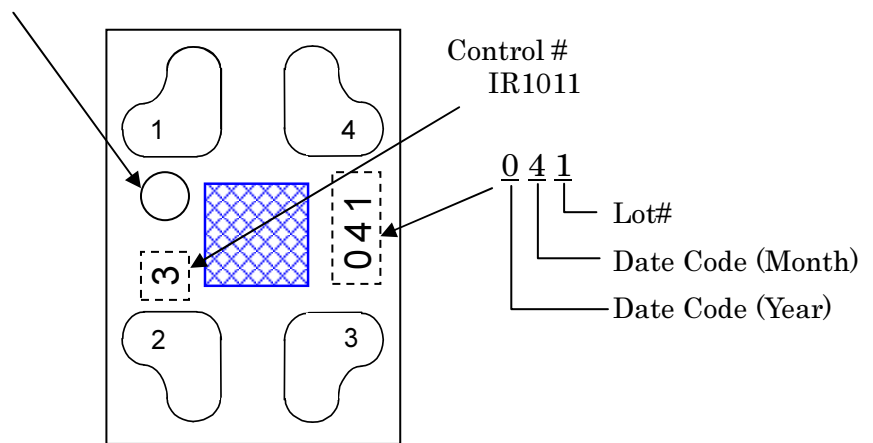
Spectral response

Package



Marking

Pin#1 indication



View from sensor side

<i>Handling instructions</i>

<Electrostatic Discharge (ESD)>

This product is sensitive to Electrostatic Discharge (ESD).

In the case of the handling, please be careful about the following matters.

- When you handle a product, please work in the environment to protect against static electricity (ex. More than 40%RH).
- Always use an ESD wrist strap and wearing antistatic clothes.
- Please take electrostatic measures against the container etc. which a product touches directly.

<Storage Environment>

Please, avoid exposed to direct sunlight. Please, keep it as much as possible at room temperature and normal humidity. (The desirable condition is 5-35 °C, 40 - 85%RH.)

In addition, please, avoid the chlorine gas and the causticity gas.

When this product is kept in inappropriate environment, it may influence product properties.

<Other Instructions >

Gallium Arsenide (GaAs) and Indium Antimonide (InSb) are used for this product.

Please be careful about the next matters.

- 1) Please, do not take this product to burning and melting and destroys, chemical processing etc..
- 2)When you discard this product, please handle it according to related laws and a waste disposal treatment rule of your company.

Please, be careful not to damage and pollute the sensor surface, because sensor properties may change.

IMPORTANT NOTICE

- These products and their specifications are subject to change without notice.
When you consider any use or application of these products, please make inquiries the sales office of Asahi Kasei Microdevices Corporation (AKM) or authorized distributors as to current status of the products.
- Descriptions of external circuits, application circuits, software and other related information contained in this document are provided only to illustrate the operation and application examples of the semiconductor products. You are fully responsible for the incorporation of these external circuits, application circuits, software and other related information in the design of your equipments. AKM assumes no responsibility for any losses incurred by you or third parties arising from the use of these information herein. AKM assumes no liability for infringement of any patent, intellectual property, or other rights in the application or use of such information contained herein.
- Any export of these products, or devices or systems containing them, may require an export license or other official approval under the law and regulations of the country of export pertaining to customs and tariffs, currency exchange, or strategic materials.
- AKM products are neither intended nor authorized for use as critical components^{Note1)} in any safety, life support, or other hazard related device or system^{Note2)}, and AKM assumes no responsibility for such use, except for the use approved with the express written consent by Representative Director of AKM. As used here:
 - Note1) A critical component is one whose failure to function or perform may reasonably be expected to result, whether directly or indirectly, in the loss of the safety or effectiveness of the device or system containing it, and which must therefore meet very high standards of performance and reliability.
 - Note2) A hazard related device or system is one designed or intended for life support or maintenance of safety or for applications in medicine, aerospace, nuclear energy, or other fields, in which its failure to function or perform may reasonably be expected to result in loss of life or in significant injury or damage to person or property.
- It is the responsibility of the buyer or distributor of AKM products, who distributes, disposes of, or otherwise places the product with a third party, to notify such third party in advance of the above content and conditions, and the buyer or distributor agrees to assume any and all responsibility and liability for and hold AKM harmless from any and all claims arising from the use of said product in the absence of such notification.