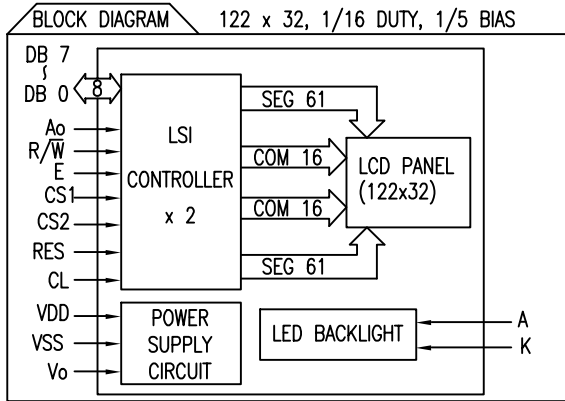
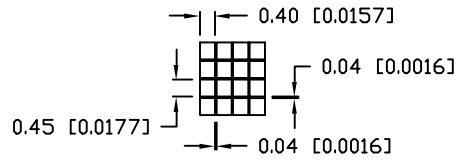


UNCONTROLLED DOCUMENT

□ □



PIXEL DETAIL



PART NUMBER  
LCM-X12232GXX

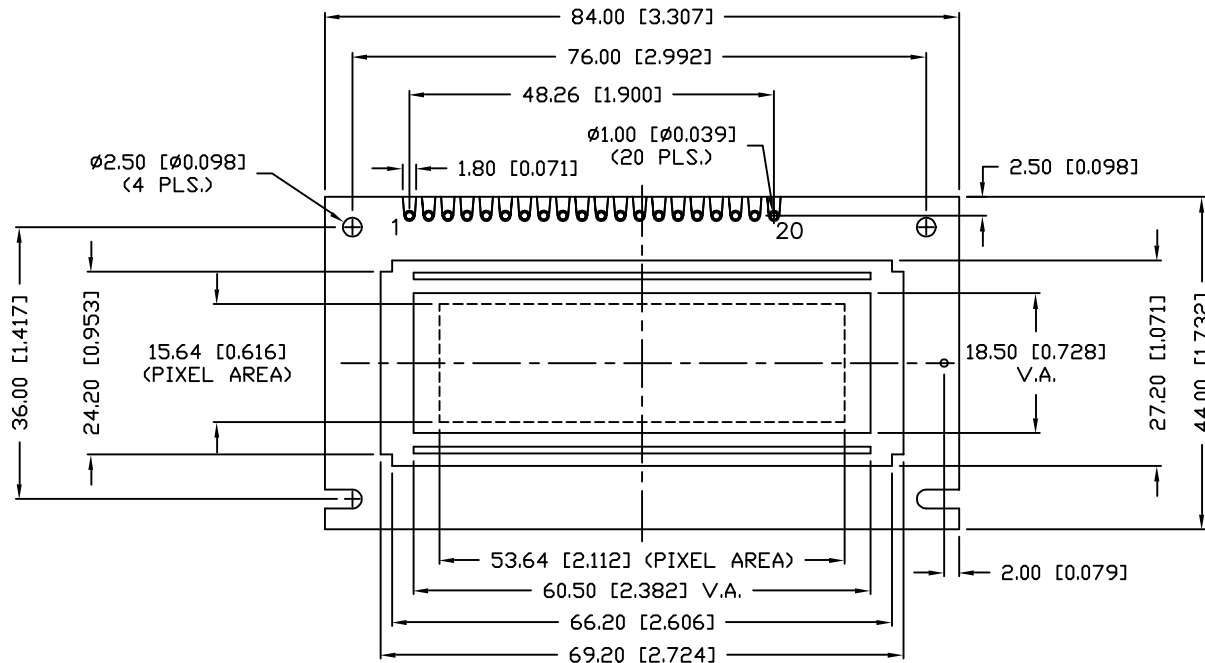
REV.

B

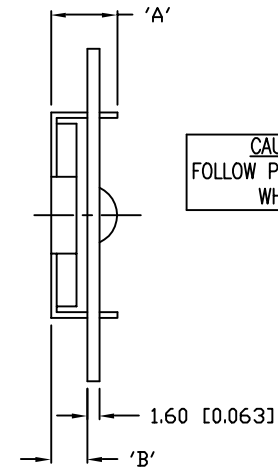
REV.	E.C.N. NUMBER AND REVISION COMMENTS	DATE
A	E.C.N. #10433./	6-8-98
B	E.C.N. #10BRDR. & REDRAWN.	10-2-98

P/N PREFIX/SUFFIX TABLE

LCM-X	DXX	DESCRIPTION
STANDARD	S	STN, REFLECTIVE
HIGH TEMP.	H	STN, TRANFLECTIVE(W/ BACKLIGHT)



TYPE	DIM.	A	B
WITH BACKLIGHT		12.7	8.7
NO BACKLIGHT		8.8	4.8



CAUTION: STATIC SENSITIVE DEVICE  
FOLLOW PROPER E.S.D. HANDLING PROCEDURES  
WHEN WORKING WITH THIS PART.

UNCONTROLLED DOCUMENT

\*UNLESS OTHERWISE SPECIFIED TOLERANCE IS ±0.25mm (±0.010")

REV. B	PART NUMBER LCM-X12232GXX
122 x 32 DOT MATRIX GRAPHIC MODULE, 1/16 DUTY, 1/5 BIAS.	

**CONFIDENTIAL INFORMATION**  
THE INFORMATION CONTAINED IN THIS DOCUMENT IS THE PROPERTY OF LUMEX INC. EXCEPT AS SPECIFICALLY AUTHORIZED IN WRITING BY LUMEX INC., THE HOLDER OF THIS DOCUMENT SHALL KEEP ALL INFORMATION CONTAINED HEREIN CONFIDENTIAL AND SHALL PROTECT SAME IN WHOLE OR IN PART FROM DISCLOSURE AND DISSEMINATION TO ALL THIRD PARTIES.

**RELIABILITY NOTE**  
OUR MANY YEARS OF EXPERIENCE DATA ACCUMULATION INDICATE THAT SOLDER HEAT IS A MAJOR CAUSE OF EARLY AND FUTURE FAILURE. PLEASE PAY ATTENTION TO YOUR SOLDERING PROCESS.

**LUMEX**  
INCORPORATED

290 E. HELLEN ROAD  
PALATINE, ILLINOIS 60067  
PHONE: 1-847-359-2790  
WEB: HTTP://WWW.LUMEX.COM

DRAWN BY: SA/BC	CHECKED BY:	APPROVED BY:	DATE: 4-6-98
			PAGE: 1 OF 2
			SCALE: N/A