

### General Description

The 932SQ425 is a reduced-pin-count main clock synthesizer for Intel Romley-generation server platforms. The 932SQ425 is driven with a 25 MHz crystal for maximum performance. It generates CPU outputs of 100 or 133.33 MHz.

### Recommended Application

Reduced pin-count CK420BQ

### Output Features

- 3 - HCSL CPU outputs
- 3 - HCSL Non-Spread SAS/SRC outputs
- 2 - HCSL SRC outputs
- 1 - HCSL DOT96 output
- 1 - 3.3V 48M output
- 3 - 3.3V PCI outputs
- 1 - 3.3V 14.318M output

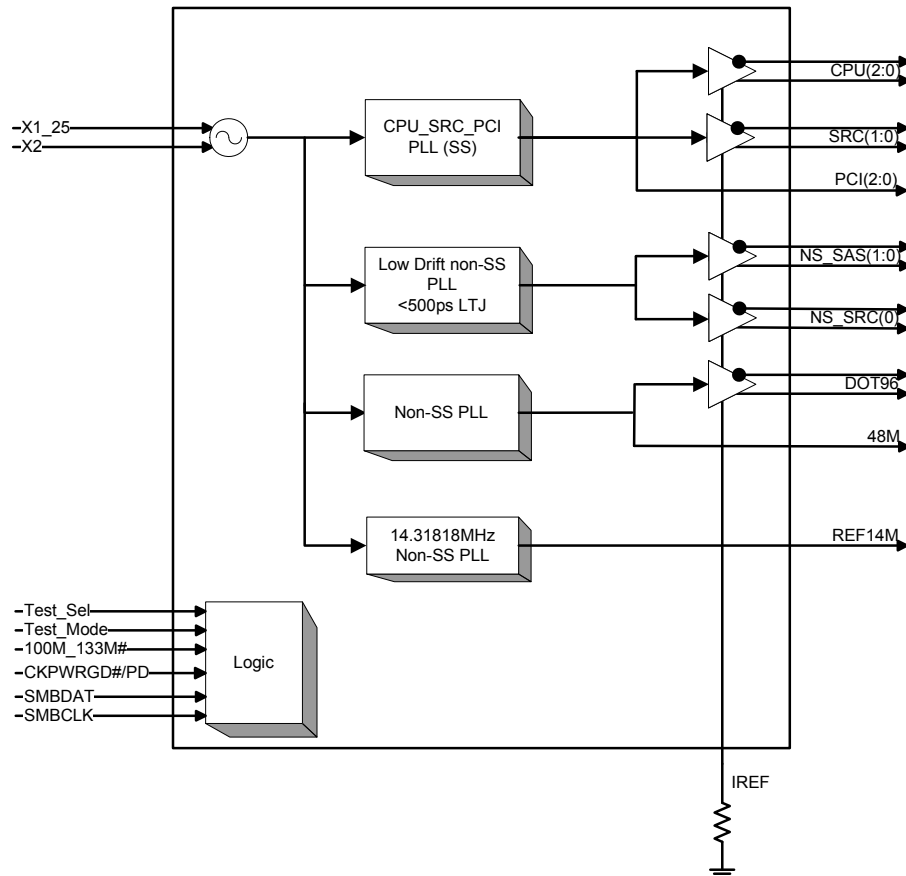
### Features/Benefits

- 0.5% down spread capable on CPU/SRC/PCI outputs; Lower EMI
- 56-pin MLF package; 21% space savings compared to 932SQ420 64-pin MLF

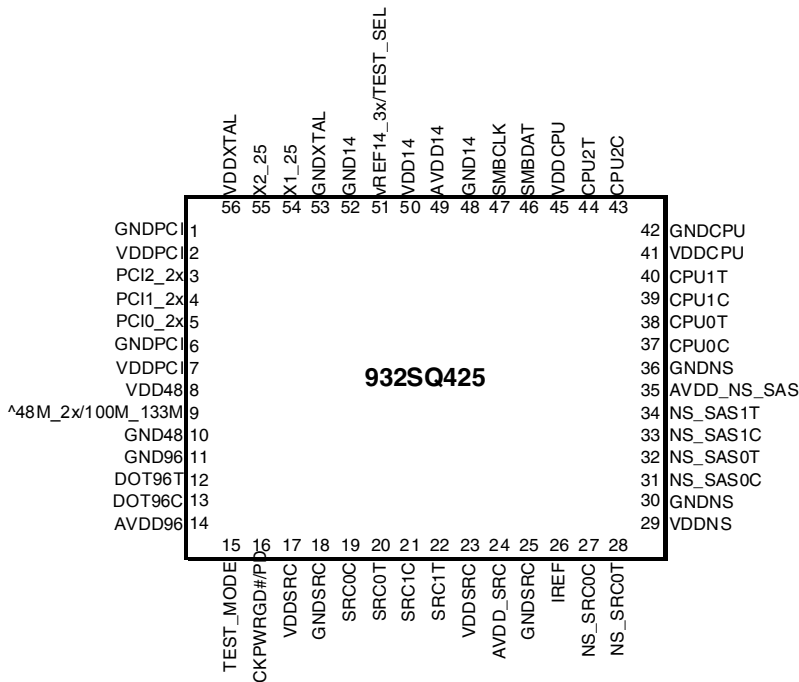
### Key Specifications

- Cycle to cycle jitter: CPU/SRC/NS\_SRC/NS\_SAS <50ps
- Phase jitter: PCIe Gen2 <3ps rms
- Phase jitter: PCIe Gen3 <x1ps rms
- Phase jitter: QPI 9.6GB/s <0.2ps rms
- Phase jitter: NS-SAS <0.4ps rms using raw phase data
- Phase jitter: NS-SAS <1.3ps rms using Clk Jit Tool 1.6.3

### Block Diagram



## Pin Configuration



Notes: Pins with ^ prefix have internal 120K pullup  
Pins with v prefix have internal 120K pulldown.

## 932SQ425 Functionality

| 100M_133M# | CPU    | SRC | PCI   | REF    | NS_SAS<br>NS_SRC | DOT96 | USB   |     |
|------------|--------|-----|-------|--------|------------------|-------|-------|-----|
| 0          | 133.33 | 100 | 33.33 | 14.318 | 100.00           | 96.00 | 48.00 | MHz |
| 1          | 100    |     |       |        |                  |       |       |     |

## Spread Spectrum Control

| SS_Enable<br>(B1b0) | CPU, SRC &<br>PCI |
|---------------------|-------------------|
| 0                   | OFF               |
| 1                   | ON                |

## 932SQ425 Power Down Functionality

| CKPWRGD#/PD | Differential<br>Outputs | Single-ended<br>Outputs | Single ended<br>Outputs w/Latch |
|-------------|-------------------------|-------------------------|---------------------------------|
| 1           | Hi-Z                    | Low                     | Hi-Z                            |
| 0           | Running                 |                         |                                 |

Note: Hi-Z on the differential outputs will result in both True and Complement being low due to the termination network

## Power Group Pin Numbers

| MLF   |     | Description                                |
|-------|-----|--|
| VDD   | GND |  |
| 49    | 48  | 14MHz PLL Analog                           |
| 50    | 52  | REF14M Output and Logic                    |
| 56    | 53  | 25MHz XTAL                                 |
| 2,7   | 1,6 | PCI Outputs and Logic                      |
| 8     | 10  | 48MHz Output and Logic                     |
| 14    | 11  | 96MHz PLL Analog, Output and Logic         |
| 17,23 | 18  | SRC Outputs and Logic                      |
| 24    | 25  | SRC PLL Analog                             |
| 29    | 30  | Non-Spreading Differential Outputs & Logic |
| 35    | 36  | NS-SAS/SRC PLL Analog                      |
| 41,45 | 42  | CPU Outputs and Logic                      |

## Pin Descriptions

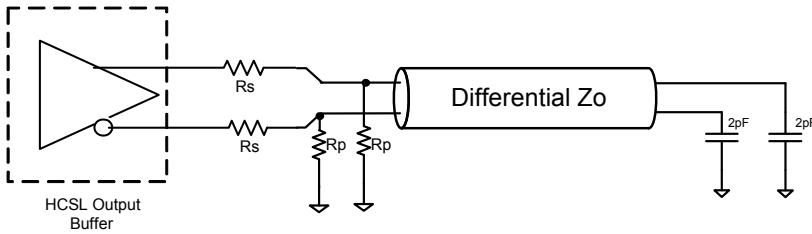
| PIN # | PIN NAME           | TYPE | DESCRIPTION   |
|-------|--------------------|------|---|
| 1     | GNDPCI             | PWR  | Ground pin for PCI outputs and logic.   |
| 2     | VDDPCI             | PWR  | 3.3V power for the PCI outputs and logic  |
| 3     | PCI2_2x            | OUT  | 3.3V PCI clock output   |
| 4     | PCI1_2x            | OUT  | 3.3V PCI clock output   |
| 5     | PCIO_2x            | OUT  | 3.3V PCI clock output   |
| 6     | GNDPCI             | PWR  | Ground pin for PCI outputs and logic.   |
| 7     | VDDPCI             | PWR  | 3.3V power for the PCI outputs and logic  |
| 8     | VDD48              | PWR  | 3.3V power for the 48MHz output and logic   |
| 9     | ^48M_2x/100M_133M# | I/O  | 3.3V 48MHz output/ 3.3V tolerant CPU frequency select latched input pin. See ViIFS and VihFS values for thresholds. This pin has a weak (~120Kohm) internal pull up.<br>1 = 100MHz, 0 = 133MHz operating frequency                    |
| 10    | GND48              | PWR  | Ground pin for 48MHz output and logic.  |
| 11    | GND96              | PWR  | Ground pin for DOT96 output and logic.  |
| 12    | DOT96T             | OUT  | True clock of differential 96MHz output. These are current mode outputs. These are current mode outputs and external 33 ohm series resistors and 49.9 ohm shunt resistors are required for termination.                               |
| 13    | DOT96C             | OUT  | Complementary clock of differential 96MHz output. These are current mode outputs and external 33 ohm series resistors and 49.9 ohm shunt resistors are required for termination.  |
| 14    | AVDD96             | PWR  | 3.3V power for the 48/96MHz PLL and the 96MHz output and logic  |
| 15    | TEST_MODE          | IN   | TEST_MODE is a real time input to select between Hi-Z and REF/N divider mode while in test mode. Refer to Test Clarification Table.   |
| 16    | CKPWRGD#/PD        | IN   | CKPWRGD# is an active low input used to sample latched inputs and allow the device to Power Up. PD is an asynchronous active high input pin used to put the device into a low power state. The internal clocks and PLLs are stopped.  |
| 17    | VDDSRC             | PWR  | 3.3V power for the SRC outputs and logic  |
| 18    | GNDSRC             | PWR  | Ground pin for SRC outputs and logic.   |
| 19    | SRC0C              | OUT  | Complementary clock of differential SRC output. These are current mode outputs and external 33 ohm series resistors and 49.9 ohm shunt resistors are required for termination.  |
| 20    | SRC0T              | OUT  | True clock of differential SRC output. These are current mode outputs. These are current mode outputs and external 33 ohm series resistors and 49.9 ohm shunt resistors are required for termination.                                 |
| 21    | SRC1C              | OUT  | Complementary clock of differential SRC output. These are current mode outputs and external 33 ohm series resistors and 49.9 ohm shunt resistors are required for termination.  |
| 22    | SRC1T              | OUT  | True clock of differential SRC output. These are current mode outputs. These are current mode outputs and external 33 ohm series resistors and 49.9 ohm shunt resistors are required for termination.                                 |
| 23    | VDDSRC             | PWR  | 3.3V power for the SRC outputs and logic  |
| 24    | AVDD_SRC           | PWR  | 3.3V power for the SRC PLL analog circuits  |
| 25    | GNDSRC             | PWR  | Ground pin for SRC outputs and logic.   |
| 26    | IREF               | OUT  | This pin establishes the reference current for the differential current-mode output pairs. This pin requires a fixed precision resistor tied to ground in order to establish the appropriate current. 475 ohms is the standard value. |
| 27    | NS_SRC0C           | OUT  | Complementary clock of differential non-spreading SRC output. These are current mode outputs and external 33 ohm series resistors and 49.9 ohm shunt resistors are required for termination.  |
| 28    | NS_SRC0T           | OUT  | True clock of differential non-spreading SRC output. These are current mode outputs. These are current mode outputs and external 33 ohm series resistors and 49.9 ohm shunt resistors are required for termination.                   |
| 29    | VDDNS              | PWR  | 3.3V power for the Non-Spreading differential outputs outputs and logic   |
| 30    | GNDNS              | PWR  | Ground pin for non-spreading differential outputs and logic.  |
| 31    | NS_SAS0C           | OUT  | Complementary clock of differential non-spreading SAS output. These are current mode outputs and external 33 ohm series resistors and 49.9 ohm shunt resistors are required for termination.  |
| 32    | NS_SAS0T           | OUT  | True clock of differential non-spreading SAS output. These are current mode outputs. These are current mode outputs and external 33 ohm series resistors and 49.9 ohm shunt resistors are required for termination.                   |
| 33    | NS_SAS1C           | OUT  | Complementary clock of differential non-spreading SAS output. These are current mode outputs and external 33 ohm series resistors and 49.9 ohm shunt resistors are required for termination.  |
| 34    | NS_SAS1T           | OUT  | True clock of differential non-spreading SAS output. These are current mode outputs. These are current mode outputs and external 33 ohm series resistors and 49.9 ohm shunt resistors are required for termination.                   |
| 35    | AVDD_NS_SAS        | PWR  | 3.3V power for the non-spreading SAS/SRC PLL analog circuits.   |
| 36    | GNDNS              | PWR  | Ground pin for non-spreading differential outputs and logic.  |

## Pin Descriptions (cont.)

|    |                    |     |  |
|----|--------------------|-----|--|
| 37 | CPU0C              | OUT | Complementary clock of differential CPU output. These are current mode outputs and external 33 ohm series resistors and 49.9 ohm shunt resistors are required for termination.               |
| 38 | CPU0T              | OUT | True clock of differential CPU output. These are current mode outputs and external 33 ohm series resistors and 49.9 ohm shunt resistors are required for termination.                        |
| 39 | CPU1C              | OUT | Complementary clock of differential CPU output. These are current mode outputs and external 33 ohm series resistors and 49.9 ohm shunt resistors are required for termination.               |
| 40 | CPU1T              | OUT | True clock of differential CPU output. These are current mode outputs and external 33 ohm series resistors and 49.9 ohm shunt resistors are required for termination.                        |
| 41 | VDDCPU             | PWR | 3.3V power for the CPU outputs and logic   |
| 42 | GNDCPU             | PWR | Ground pin for CPU outputs and logic.  |
| 43 | CPU2C              | OUT | Complementary clock of differential CPU output. These are current mode outputs and external 33 ohm series resistors and 49.9 ohm shunt resistors are required for termination.               |
| 44 | CPU2T              | OUT | True clock of differential CPU output. These are current mode outputs and external 33 ohm series resistors and 49.9 ohm shunt resistors are required for termination.                        |
| 45 | VDDCPU             | PWR | 3.3V power for the CPU outputs and logic   |
| 46 | SMBDAT             | I/O | Data pin of SMBUS circuitry, 5V tolerant   |
| 47 | SMBCLK             | IN  | Clock pin of SMBUS circuitry, 5V tolerant  |
| 48 | GND14              | PWR | Ground pin for 14MHz output and logic.   |
| 49 | AVDD14             | PWR | Analog power pin for 14MHz PLL   |
| 50 | VDD14              | PWR | Power pin for 14MHz output and logic   |
| 51 | vREF14_3x/TEST_SEL | I/O | 14.318 MHz reference clock. 3X drive strength as default / TEST_SEL latched input to enable test mode. Refer to Test Clarification Table. This pin has a weak (~120Kohm) internal pull down. |
| 52 | GND14              | PWR | Ground pin for 14MHz output and logic.   |
| 53 | GNDXTAL            | PWR | Ground pin for Crystal Oscillator.   |
| 54 | X1_25              | IN  | Crystal input, Nominally 25.00MHz.   |
| 55 | X2_25              | OUT | Crystal output, Nominally 25.00MHz.  |
| 56 | VDDXTAL            | PWR | 3.3V power for the crystal oscillator.   |

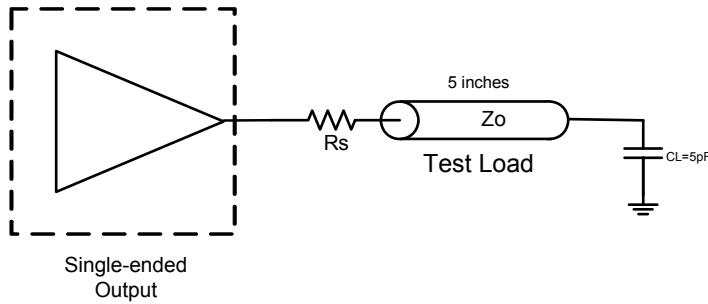
## Test Loads and Recommended Terminations

### 932SQ4xx Differential Test Loads



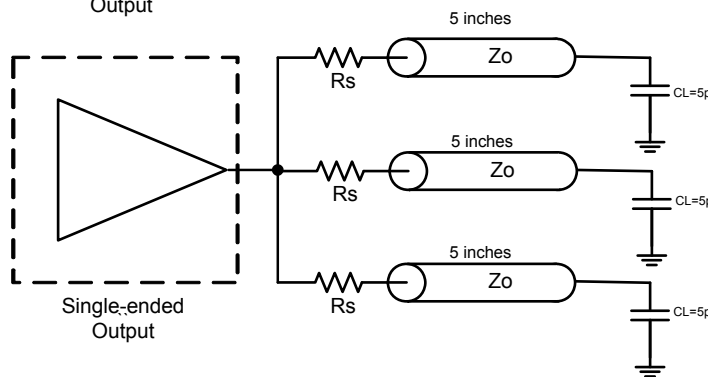
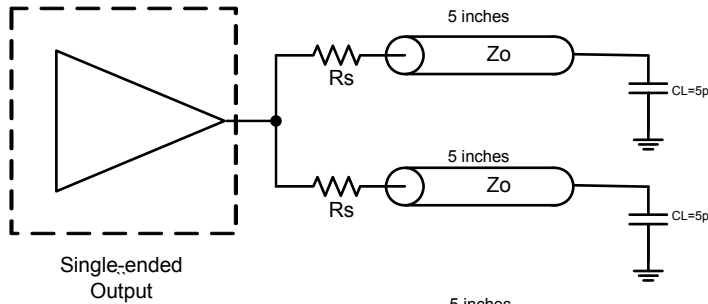
Differential Output Termination Table

| DIF $Z_o$ ( $\Omega$ ) | Iref ( $\Omega$ ) | $R_s$ ( $\Omega$ ) | $R_p$ ( $\Omega$ ) |
|------------------------|-------------------|--------------------|--------------------|
| 100                    | 475               | 33                 | 50                 |
| 85                     | 412               | 27                 | 42.2 or 43.2       |



Single-ended Output Termination Table

| Output  | Loads | $R_s$ Value (for each load) |                  |
|---------|-------|-----------------------------|------------------|
|         |       | $Z_o = 50\Omega$            | $Z_o = 60\Omega$ |
| PCI/USB | 1     | 36                          | 43               |
| PCI/USB | 2     | 22                          | 33               |
| REF     | 1     | 39                          | 47               |
| REF     | 2     | 27                          | 36               |
| REF     | 3     | 10                          | 20               |



When driving more than one load, each load trace must be equal in length.

## Absolute Maximum Ratings

Stresses above the ratings listed below can cause permanent damage to the 932SQ425. These ratings, which are standard values for IDT commercially rated parts, are stress ratings only. Functional operation of the device at these or any other conditions above those indicated in the operational sections of the specifications is not implied. Exposure to absolute maximum rating conditions for extended periods can affect product reliability. Electrical parameters are guaranteed only over the recommended operating temperature range.

| PARAMETER                 | SYMBOL             | CONDITIONS                 | MIN     | TYP | MAX                   | UNITS | NOTES |
|---------------------------|--------------------|----------------------------|---------|-----|-----------------------|-------|-------|
| 3.3V Core Supply Voltage  | VDDA               |                            |         |     | 4.6                   | V     | 1,2   |
| 3.3V Logic Supply Voltage | VDD                |                            |         |     | 4.6                   | V     | 1,2   |
| Input Low Voltage         | V <sub>IL</sub>    |                            | GND-0.5 |     |                       | V     | 1     |
| Input High Voltage        | V <sub>IH</sub>    | Except for SMBus interface |         |     | V <sub>DD</sub> +0.5V | V     | 1     |
| Input High Voltage        | V <sub>IHSMB</sub> | SMBus clock and data pins  |         |     | 5.5V                  | V     | 1     |
| Storage Temperature       | T <sub>s</sub>     |                            | -65     |     | 150                   | °C    | 1     |
| Junction Temperature      | T <sub>j</sub>     |                            |         |     | 125                   | °C    | 1     |
| Input ESD protection      | ESD prot           | Human Body Model           | 2000    |     |                       | V     | 1     |

<sup>1</sup>Guaranteed by design and characterization, not 100% tested in production.

<sup>2</sup>Operation under these conditions is neither implied nor guaranteed.

## Electrical Characteristics—Current Consumption

T<sub>A</sub> = T<sub>COM</sub>; Supply Voltage VDD = 3.3 V +/-5%

| PARAMETER                | SYMBOL                | CONDITIONS   | MIN | TYP | MAX | UNITS | NOTES |
|--------------------------|-----------------------|--|-----|-----|-----|-------|-------|
| Operating Supply Current | I <sub>DD3.3OP</sub>  | All outputs active @100MHz, C <sub>L</sub><br>= Full load; |     | 330 | 350 | mA    | 1     |
| Powerdown Current        | I <sub>DD3.3PDZ</sub> | All differential pairs tri-stated                          |     | 16  | 20  | mA    | 1     |

<sup>1</sup>Guaranteed by design and characterization, not 100% tested in production.

## DC Electrical Characteristics—Differential Current Mode Outputs

T<sub>A</sub> = T<sub>COM</sub>; Supply Voltage VDD = 3.3 V +/-5%

| PARAMETER              | SYMBOL     | CONDITIONS  | MIN  | TYP  | MAX  | UNITS | NOTES   |
|------------------------|------------|---|------|------|------|-------|---------|
| Slew rate              | Trf        | Scope averaging on  | 1    | 2.4  | 4    | V/ns  | 1, 2, 3 |
| Slew rate matching     | ΔTrf       | Slew rate matching, Scope averaging on  |      | 9    | 20   | %     | 1, 2, 4 |
| Voltage High           | VHigh      | Statistical measurement on single-ended signal using oscilloscope math function. (Scope averaging on) | 660  | 772  | 850  | mV    | 1       |
| Voltage Low            | VLow       |   | -150 | 9    | 150  |       | 1       |
| Max Voltage            | Vmax       | Measurement on single ended signal using absolute value.  |      | 810  | 1150 | mV    | 1, 7    |
| Min Voltage            | Vmin       |   | -300 | -17  |      |       | 1, 7    |
| Vswing                 | Vswing     | Scope averaging off   | 300  | 1446 |      | mV    | 1, 2    |
| Crossing Voltage (abs) | Vcross_abs | Scope averaging off   | 250  | 351  | 550  | mV    | 1, 5    |
| Crossing Voltage (var) | Δ-Vcross   | Scope averaging off   |      | 24   | 140  | mV    | 1, 6    |

<sup>1</sup>Guaranteed by design and characterization, not 100% tested in production. I<sub>REF</sub> = VDD/(3xR<sub>R</sub>). For R<sub>R</sub> = 475Ω (1%), I<sub>REF</sub> = 2.32mA. I<sub>OH</sub> = 6 x I<sub>REF</sub> and V<sub>OH</sub> = 0.7V @ Z<sub>O</sub>=50Ω (100Ω differential impedance).

<sup>2</sup>Measured from differential waveform

<sup>3</sup>Slew rate is measured through the Vswing voltage range centered around differential 0V. This results in a +/-150mV window around differential 0V.

<sup>4</sup>Matching applies to rising edge rate for Clock and falling edge rate for Clock#. It is measured using a +/-75mV window centered on the average cross point where Clock rising meets Clock# falling. The median cross point is used to calculate the voltage thresholds the oscilloscope is to use for the edge rate calculations.

<sup>5</sup>Vcross is defined as voltage where Clock = Clock# measured on a component test board and only applies to the differential rising edge (i.e. Clock rising and Clock# falling).

<sup>6</sup>The total variation of all Vcross measurements in any particular system. Note that this is a subset of V<sub>cross\_min/max</sub> (V<sub>cross</sub> absolute) allowed. The intent is to limit Vcross induced modulation by setting V<sub>cross\_delta</sub> to be smaller than V<sub>cross</sub> absolute.

<sup>7</sup>Includes overshoot and undershoot.

## Electrical Characteristics—Input/Supply/Common Output Parameters

TA = T<sub>COM</sub>; Supply Voltage VDD = 3.3 V +/-5%

| PARAMETER                        | SYMBOL              | CONDITIONS  | MIN                   | TYP     | MAX                   | UNITS | NOTES |
|----------------------------------|---------------------|---|-----------------------|---------|-----------------------|-------|-------|
| Ambient Operating Temperature    | T <sub>COM</sub>    | Commercial range  | 0                     |         | 70                    | °C    | 1     |
| Input High Voltage               | V <sub>IH</sub>     | Single-ended inputs, except SMBus, low threshold and tri-level inputs   | 2                     |         | V <sub>DD</sub> + 0.3 | V     | 1     |
| Input Low Voltage                | V <sub>IL</sub>     | Single-ended inputs, except SMBus, low threshold and tri-level inputs   | GND - 0.3             |         | 0.8                   | V     | 1     |
| Input Current                    | I <sub>IN</sub>     | Single-ended inputs, V <sub>IN</sub> = GND, V <sub>IN</sub> = VDD   | -5                    |         | 5                     | uA    | 1     |
|                                  | I <sub>INP</sub>    | Single-ended inputs. V <sub>IN</sub> = 0 V; Inputs with internal pull up resistors<br>V <sub>IN</sub> = VDD; Inputs with internal pull-down resistors | -200                  |         | 200                   | uA    | 1     |
| Low Threshold Input-High Voltage | V <sub>IH_FS</sub>  | 3.3 V +/-5%   | 0.7                   |         | V <sub>DD</sub> + 0.3 | V     | 1     |
| Low Threshold Input-Low Voltage  | V <sub>IL_FS</sub>  | 3.3 V +/-5%   | V <sub>SS</sub> - 0.3 |         | 0.35                  | V     | 1     |
| Input Frequency                  | F <sub>i</sub>      |   |                       | 25.00   |                       | MHz   | 2     |
| Pin Inductance                   | L <sub>pin</sub>    |   |                       |         | 7                     | nH    | 1     |
| Capacitance                      | C <sub>IN</sub>     | Logic Inputs  |                       |         | 5                     | pF    | 1     |
|                                  | C <sub>OUT</sub>    | Output pin capacitance  |                       |         | 5                     | pF    | 1     |
|                                  | C <sub>INX</sub>    | X1 & X2 pins  |                       |         | 5                     | pF    | 1     |
| Clk Stabilization                | T <sub>STAB</sub>   | From V <sub>DD</sub> Power-Up and after input clock stabilization or de-assertion of PD# to 1st clock   |                       |         | 1.8                   | ms    | 1,2   |
| SS Modulation Frequency          | f <sub>MODIN</sub>  | Allowable Frequency (Triangular Modulation)   | 30                    | 31.500  | 33                    | kHz   | 1     |
| Tdrive_PD#                       | t <sub>DRVPD</sub>  | Differential output enable after PD# de-assertion   |                       | 200.000 | 300                   | us    | 1,3   |
| Tfall                            | t <sub>F</sub>      | Fall time of control inputs   |                       |         | 5                     | ns    | 1,2   |
| Trise                            | t <sub>R</sub>      | Rise time of control inputs   |                       |         | 5                     | ns    | 1,2   |
| SMBus Input Low Voltage          | V <sub>ILSMB</sub>  |   |                       |         | 0.8                   | V     | 1     |
| SMBus Input High Voltage         | V <sub>IHSMB</sub>  |   | 2.1                   |         | V <sub>DDSMB</sub>    | V     | 1     |
| SMBus Output Low Voltage         | V <sub>OLSMB</sub>  | @ I <sub>PULLUP</sub>   |                       |         | 0.4                   | V     | 1     |
| SMBus Sink Current               | I <sub>PULLUP</sub> | @ V <sub>OL</sub>   | 4                     |         |                       | mA    | 1     |
| Nominal Bus Voltage              | V <sub>DDSMB</sub>  | 3V to 5V +/- 10%  | 2.7                   |         | 5.5                   | V     | 1     |
| SCLK/SDATA Rise Time             | t <sub>RSMB</sub>   | (Max V <sub>IL</sub> - 0.15) to (Min V <sub>IH</sub> + 0.15)  |                       |         | 1000                  | ns    | 1     |
| SCLK/SDATA Fall Time             | t <sub>FSMB</sub>   | (Min V <sub>IH</sub> + 0.15) to (Max V <sub>IL</sub> - 0.15)  |                       |         | 300                   | ns    | 1     |
| SMBus Operating Frequency        | f <sub>MAXSMB</sub> | Maximum SMBus operating frequency   |                       |         | 100                   | kHz   | 1     |

<sup>1</sup>Guaranteed by design and characterization, not 100% tested in production.

<sup>2</sup>Control input must be monotonic from 20% to 80% of input swing.

<sup>3</sup>Time from deassertion until outputs are >200 mV

## AC Electrical Characteristics–Differential Current Mode Outputs

$T_A = T_{COM}$ ; Supply Voltage  $V_{DD} = 3.3\text{ V} \pm 5\%$

| PARAMETER              | SYMBOL        | CONDITIONS                           | MIN | TYP  | MAX | UNITS | NOTES |
|------------------------|---------------|--------------------------------------|-----|------|-----|-------|-------|
| Duty Cycle             | $t_{DC}$      | Measured differentially, PLL Mode    | 45  | 50.1 | 55  | %     | 1     |
| Skew, Output to Output | $t_{sk3SRC}$  | Across all SRC outputs, $V_T = 50\%$ |     | 13.5 | 50  | ps    | 1     |
| Skew, Output to Output | $t_{sk3CPU}$  | Across all CPU outputs, $V_T = 50\%$ |     | 43   | 50  | ps    | 1     |
| Jitter, Cycle to cycle | $t_{cyc-cyc}$ | CPU, SRC, NS_SAS outputs             |     | 35   | 50  | ps    | 1,3   |
|                        |               | DOT96 output                         |     | 75   | 250 | ps    | 1,3   |

<sup>1</sup> Guaranteed by design and characterization, not 100% tested in production.

<sup>2</sup>  $I_{REF} = V_{DD}/(3 \times R_R)$ . For  $R_R = 475\Omega$  (1%),  $I_{REF} = 2.32\text{mA}$ .  $I_{OH} = 6 \times I_{REF}$  and  $V_{OH} = 0.7\text{V} @ Z_O = 50\Omega$ .

<sup>3</sup> Measured from differential waveform

## Electrical Characteristics–Phase Jitter Parameters

$T_A = 0 - 70^\circ\text{C}$ ; Supply Voltage  $V_{DD}/V_{DDA} = 3.3\text{ V} \pm 5\%$ ,

| PARAMETER    | SYMBOL            | CONDITIONS  | MIN | TYP  | MAX | UNITS    | Notes   |
|--------------|-------------------|---|-----|------|-----|----------|---------|
| Phase Jitter | $t_{jphPCIeG1}$   | PCIe Gen 1  |     | 28   | 86  | ps (p-p) | 1,2,3,6 |
|              | $t_{jphPCIeG2}$   | PCIe Gen 2 Lo Band<br>$10\text{kHz} < f < 1.5\text{MHz}$                    |     | 0.9  | 3   | ps (rms) | 1,2,6   |
|              |                   | PCIe Gen 2 High Band<br>$1.5\text{MHz} < f < \text{Nyquist} (50\text{MHz})$ |     | 1.7  | 3.1 | ps (rms) | 1,2,6   |
|              | $t_{jphPCIeG3}$   | PCIe Gen 3<br>(PLL BW of 2-4MHz, CDR = 10MHz)                               |     | 0.4  | 1   | ps (rms) | 1,2,4,6 |
|              | $t_{jphQPI\_SMI}$ | QPI & SMI<br>(100MHz or 133MHz, 4.8Gb/s, 6.4Gb/s 12UI)                      |     | 0.15 | 0.5 | ps (rms) | 1,5,7   |
|              |                   | QPI & SMI<br>(100MHz, 8.0Gb/s, 12UI)  |     | 0.13 | 0.3 | ps (rms) | 1,5,7   |
|              |                   | QPI & SMI<br>(100MHz, 9.6Gb/s, 12UI)  |     | 0.11 | 0.2 | ps (rms) | 1,5,7   |
|              | $t_{jphSAS12G}$   | SAS 12G<br>(Filtered REFCLK Jitter 20KHz to 20MHz.)                         |     | 0.34 | 0.4 | ps (rms) | 1,8,9   |
|              | $t_{jphSAS12G}$   | SAS 12G   |     | 0.70 | 1.3 | ps (rms) | 1,5,8   |

<sup>1</sup> Guaranteed by design and characterization, not 100% tested in production.

<sup>2</sup> See <http://www.pcisig.com> for complete specs

<sup>3</sup> Sample size of at least 100K cycles. This figures extrapolates to 108ps pk-pk @ 1M cycles for a BER of 1-12.

<sup>4</sup> Subject to final radification by PCI SIG.

<sup>5</sup> Calculated from Intel-supplied Clock Jitter Tool v 1.6.6

<sup>6</sup> Applied to SRC outputs

<sup>7</sup> Applies to CPU outputs

<sup>8</sup> Applies to NS\_SAS, NS\_SRC outputs

<sup>9</sup> Intel calculation from raw phase noise data



## Electrical Characteristics–PCI

$T_A = 0 - 70^\circ\text{C}$ ; Supply Voltage  $V_{DD}/V_{DDA} = 3.3\text{ V} \pm 5\%$ ,

| PARAMETER              | SYMBOL        | CONDITIONS                      | MIN | TYP  | MAX  | UNITS    | NOTES |
|------------------------|---------------|---------------------------------|-----|------|------|----------|-------|
| Output Impedance       | $R_{DSP}$     | $V_O = V_{DD}*(0.5)$            | 12  |      | 55   | $\Omega$ | 1     |
| Output High Voltage    | $V_{OH}$      | $I_{OH} = -1\text{ mA}$         | 2.4 |      |      | V        | 1     |
| Output Low Voltage     | $V_{OL}$      | $I_{OL} = 1\text{ mA}$          |     |      | 0.55 | V        | 1     |
| Output High Current    | $I_{OH}$      | MIN @ $V_{OH} = 1.0\text{ V}$   | -33 |      |      | mA       | 1     |
|                        |               | MAX @ $V_{OH} = 3.135\text{ V}$ |     |      | -33  | mA       | 1     |
| Output Low Current     | $I_{OL}$      | MIN @ $V_{OL} = 1.95\text{ V}$  | 30  |      |      | mA       | 1     |
|                        |               | MAX @ $V_{OL} = 0.4\text{ V}$   |     |      | 38   | mA       | 1     |
| Clock High Time        | $T_{HIGH}$    | 1.5V                            | 12  |      |      | ns       | 1     |
| Clock Low Time         | $T_{LOW}$     | 1.5V                            | 12  |      |      | ns       | 1     |
| Edge Rate              | $t_{slew/f}$  | Rising/Falling edge rate        | 1   | 1.8  | 4    | V/ns     | 1,2   |
| Duty Cycle             | $d_{t1}$      | $V_T = 1.5\text{ V}$            | 45  | 50.5 | 55   | %        | 1     |
| Group Skew             | $t_{skew}$    | $V_T = 1.5\text{ V}$            |     | 294  | 500  | ps       | 1     |
| Jitter, Cycle to cycle | $t_{jyc-cyc}$ | $V_T = 1.5\text{ V}$            |     | 108  | 500  | ps       | 1     |

See "Single-ended Test Loads Page" for termination circuits

<sup>1</sup>Guaranteed by design and characterization, not 100% tested in production.

<sup>2</sup>Measured between 0.8V and 2.0V

## Electrical Characteristics–48MHz

$T_A = 0 - 70^\circ\text{C}$ ; Supply Voltage  $V_{DD}/V_{DDA} = 3.3\text{ V} \pm 5\%$ ,

| PARAMETER              | SYMBOL            | CONDITIONS                      | MIN   | TYP | MAX    | UNITS    | NOTES |
|------------------------|-------------------|---------------------------------|-------|-----|--------|----------|-------|
| Output Impedance       | $R_{DSP}$         | $V_O = V_{DD}*(0.5)$            | 20    |     | 60     | $\Omega$ | 1     |
| Output High Voltage    | $V_{OH}$          | $I_{OH} = -1\text{ mA}$         | 2.4   |     |        | V        | 1     |
| Output Low Voltage     | $V_{OL}$          | $I_{OL} = 1\text{ mA}$          |       |     | 0.55   | V        | 1     |
| Output High Current    | $I_{OH}$          | MIN @ $V_{OH} = 1.0\text{ V}$   | -29   |     |        | mA       | 1     |
|                        |                   | MAX @ $V_{OH} = 3.135\text{ V}$ |       |     | -33    | mA       | 1     |
| Output Low Current     | $I_{OL}$          | MIN @ $V_{OL} = 1.95\text{ V}$  | 29    |     |        | mA       | 1     |
|                        |                   | MAX @ $V_{OL} = 0.4\text{ V}$   |       |     | 27     | mA       | 1     |
| Clock High Time        | $T_{HIGH}$        | 1.5V                            | 8.094 |     | 10.036 | ns       | 1     |
| Clock Low Time         | $T_{LOW}$         | 1.5V                            | 7.694 |     | 9.836  | ns       | 1     |
| Edge Rate              | $t_{slew/f\_USB}$ | Rising/Falling edge rate        | 1     | 1.5 | 2      | V/ns     | 1,2   |
| Duty Cycle             | $d_{t1}$          | $V_T = 1.5\text{ V}$            | 45    | 51  | 55     | %        | 1     |
| Jitter, Cycle to cycle | $t_{jyc-cyc}$     | $V_T = 1.5\text{ V}$            |       | 109 | 350    | ps       | 1     |

See "Single-ended Test Loads Page" for termination circuits

<sup>1</sup>Guaranteed by design and characterization, not 100% tested in production.

<sup>2</sup>Measured between 0.8V and 2.0V

## Electrical Characteristics—REF

$T_A = 0 - 70^\circ\text{C}$ ; Supply Voltage  $V_{DD}/V_{DDA} = 3.3\text{ V} \pm 5\%$ ,

| PARAMETER              | SYMBOL        | CONDITIONS                      | MIN  | TYP  | MAX  | UNITS    | Notes |
|------------------------|---------------|---------------------------------|------|------|------|----------|-------|
| Output Impedance       | $R_{DSP}$     | $V_O = V_{DD} * (0.5)$          | 12   |      | 55   | $\Omega$ | 1     |
| Output High Voltage    | $V_{OH}$      | $I_{OH} = -1\text{ mA}$         | 2.4  |      |      | V        | 1     |
| Output Low Voltage     | $V_{OL}$      | $I_{OL} = 1\text{ mA}$          |      |      | 0.55 | V        | 1     |
| Output High Current    | $I_{OH}$      | MIN @ $V_{OH} = 1.0\text{ V}$   | -33  |      |      | mA       | 1     |
|                        |               | MAX @ $V_{OH} = 3.135\text{ V}$ |      |      | -33  | mA       | 1     |
| Output Low Current     | $I_{OL}$      | MIN @ $V_{OL} = 1.95\text{ V}$  | 30   |      |      | mA       | 1     |
|                        |               | MAX @ $V_{OL} = 0.4\text{ V}$   |      |      | 38   | mA       | 1     |
| Clock High Time        | $T_{HIGH}$    | 1.5V                            | 27.5 |      |      | ns       | 1     |
| Clock Low Time         | $T_{LOW}$     | 1.5V                            | 27.5 |      |      | ns       | 1     |
| Edge Rate              | $t_{slew/f}$  | Rising/Falling edge rate        | 1    | 1.9  | 4    | V/ns     | 1,2   |
| Duty Cycle             | $d_{t1}$      | $V_T = 1.5\text{ V}$            | 45   | 50.5 | 55   | %        | 1     |
| Jitter, Cycle to cycle | $t_{jyc-cyc}$ | $V_T = 1.5\text{ V}$            |      | 75   | 1000 | ps       | 1     |

See "Single-ended Test Loads Page" for termination circuits

<sup>1</sup>Guaranteed by design and characterization, not 100% tested in production.

<sup>2</sup>Measured between 0.8V and 2.0V

## Clock AC Tolerances

|                       | CPU    | SRC,<br>NS_SAS,<br>NS_SRC | PCI    | DOT96 | 48MHz | REF   |     |
|-----------------------|--------|---------------------------|--------|-------|-------|-------|-----|
| PPM tolerance         | 100    | 100                       | 100    | 100   | 100   | 100   | ppm |
| Cycle to Cycle Jitter | 50     | 50                        | 500    | 250   | 350   | 1000  | ps  |
| Spread                | -0.50% | -0.50%                    | -0.50% | 0     | 0.00% | 0.00% | %   |

## Clock Periods–Differential Outputs with Spread Spectrum Disabled

| SSC ON                    | Center Freq. MHz | Measurement Window           |                                      |                                      |                         |                                      |                                      |                              | Units | Notes |
|---------------------------|------------------|------------------------------|--------------------------------------|--------------------------------------|-------------------------|--------------------------------------|--------------------------------------|------------------------------|-------|-------|
|                           |                  | 1 Clock                      | 1 us                                 | 0.1s                                 | 0.1s                    | 0.1s                                 | 1us                                  | 1 Clock                      |       |       |
|                           |                  | -c2c jitter<br>AbsPer<br>Min | -SSC<br>Short-Term<br>Average<br>Min | - ppm<br>Long-Term<br>Average<br>Min | 0 ppm Period<br>Nominal | + ppm<br>Long-Term<br>Average<br>Max | +SSC<br>Short-Term<br>Average<br>Max | +c2c jitter<br>AbsPer<br>Max |       |       |
| CPU                       | 100.00000        | 9.94900                      |                                      | 9.99900                              | 10.00000                | 10.00100                             |                                      | 10.05100                     | ns    | 1,2   |
|                           | 133.33333        | 7.44925                      |                                      | 7.49925                              | 7.50000                 | 7.50075                              |                                      | 7.55075                      | ns    | 1,2   |
| SRC,<br>NS_SAS,<br>NS_SRC | 100.00000        | 9.94900                      |                                      | 9.99900                              | 10.00000                | 10.00100                             |                                      | 10.05100                     | ns    | 1,2   |
| PCI                       | 33.33333         | 29.49700                     |                                      | 29.99700                             | 30.00000                | 30.00300                             |                                      | 30.50300                     | ns    | 1,2   |
| DOT96                     | 96.00000         | 10.16563                     |                                      | 10.41563                             | 10.41667                | 10.41771                             |                                      | 10.66771                     | ns    | 1,2   |
| 48MHz                     | 48.00000         | 20.48125                     |                                      | 20.83125                             | 20.83333                | 20.83542                             |                                      | 21.18542                     | ns    | 1,2   |
| REF                       | 14.31818         | 69.78429                     |                                      | 69.83429                             | 69.84128                | 69.84826                             |                                      | 69.89826                     | ns    | 1,2   |

## Clock Periods–Differential Outputs with Spread Spectrum Enabled

| SSC ON | Center Freq. MHz | Measurement Window           |                                      |                                      |                         |                                      |                                      |                              | Units | Notes |
|--------|------------------|------------------------------|--------------------------------------|--------------------------------------|-------------------------|--------------------------------------|--------------------------------------|------------------------------|-------|-------|
|        |                  | 1 Clock                      | 1 us                                 | 0.1s                                 | 0.1s                    | 0.1s                                 | 1us                                  | 1 Clock                      |       |       |
|        |                  | -c2c jitter<br>AbsPer<br>Min | -SSC<br>Short-Term<br>Average<br>Min | - ppm<br>Long-Term<br>Average<br>Min | 0 ppm Period<br>Nominal | + ppm<br>Long-Term<br>Average<br>Max | +SSC<br>Short-Term<br>Average<br>Max | +c2c jitter<br>AbsPer<br>Max |       |       |
| CPU    | 99.75            | 9.94906                      | 9.99906                              | 10.02406                             | 10.02506                | 10.02607                             | 10.05107                             | 10.10107                     | ns    | 1,2   |
|        | 133.00           | 7.44930                      | 7.49930                              | 7.51805                              | 7.51880                 | 7.51955                              | 7.53830                              | 7.58830                      | ns    | 1,2   |
| PCI    | 33.25            | 29.49718                     | 29.99718                             | 30.07218                             | 30.07519                | 30.07820                             | 30.15320                             | 30.65320                     | ns    | 1,2   |
| SRC    | 99.75            | 9.94906                      | 9.99906                              | 10.02406                             | 10.02506                | 10.02607                             | 10.05107                             | 10.10107                     | ns    | 1,2   |

<sup>1</sup>Guaranteed by design and characterization, not 100% tested in production.

<sup>2</sup>All Long Term Accuracy specifications are guaranteed with the assumption that the REF output is tuned to exactly 14.31818MHz.

## General SMBus Serial Interface Information for 932SQ425

### How to Write

- Controller (host) sends a start bit
- Controller (host) sends the write address
- IDT clock will **acknowledge**
- Controller (host) sends the beginning byte location = N
- IDT clock will **acknowledge**
- Controller (host) sends the byte count = X
- IDT clock will **acknowledge**
- Controller (host) starts sending Byte N through Byte N+X-1
- IDT clock will **acknowledge** each byte **one at a time**
- Controller (host) sends a Stop bit

| Index Block Write Operation |           |        |                      |
|-----------------------------|-----------|--------|----------------------|
| Controller (Host)           |           |        | IDT (Slave/Receiver) |
| T                           | starT bit |        |                      |
| Slave Address               |           |        |                      |
| WR                          | WRite     |        |                      |
| Beginning Byte = N          |           |        | ACK                  |
| Data Byte Count = X         |           |        | ACK                  |
| Beginning Byte N            |           | X Byte | ACK                  |
| O                           |           |        | O                    |
| O                           |           |        | O                    |
| O                           |           |        | O                    |
| Byte N + X - 1              |           |        | ACK                  |
| P                           | stoP bit  |        |                      |

| Read Address      | Write Address     |
|-------------------|-------------------|
| D3 <sub>(H)</sub> | D2 <sub>(H)</sub> |

### How to Read

- Controller (host) will send a start bit
- Controller (host) sends the write address
- IDT clock will **acknowledge**
- Controller (host) sends the beginning byte location = N
- IDT clock will **acknowledge**
- Controller (host) will send a separate start bit
- Controller (host) sends the read address
- IDT clock will **acknowledge**
- IDT clock will send the data byte count = X
- IDT clock sends Byte N+X-1
- IDT clock sends **Byte 0 through Byte X (if X<sub>(H)</sub> was written to Byte 8)**
- Controller (host) will need to acknowledge each byte
- Controller (host) will send a not acknowledge bit
- Controller (host) will send a stop bit

| Index Block Read Operation |                 |        |                      |
|----------------------------|-----------------|--------|----------------------|
| Controller (Host)          |                 |        | IDT (Slave/Receiver) |
| T                          | starT bit       |        |                      |
| Slave Address              |                 |        |                      |
| WR                         | WRite           |        |                      |
| Beginning Byte = N         |                 |        | ACK                  |
| Repeat starT               |                 |        | ACK                  |
| Slave Address              |                 |        |                      |
| RD                         | ReaD            |        |                      |
| Data Byte Count=X          |                 |        | ACK                  |
| Beginning Byte N           |                 | X Byte | ACK                  |
| O                          |                 |        | O                    |
| O                          |                 |        | O                    |
| O                          |                 |        | O                    |
| Byte N + X - 1             |                 |        | ACK                  |
| N                          | Not acknowledge |        |                      |
| P                          | stoP bit        |        |                      |

SMBus Table: Output Enable Register

| Byte 0 | Pin # | Name           | Control Function | Type | 0            | 1      | Default |
|--------|-------|----------------|------------------|------|--------------|--------|---------|
| Bit 7  | 14/15 | DOT96 Enable   | Output Enable    | RW   | Disable-Hi-Z | Enable | 1       |
| Bit 6  | 40/39 | NS_SAS1 Enable | Output Enable    | RW   | Disable-Hi-Z | Enable | 1       |
| Bit 5  | 38/37 | NS_SAS0 Enable | Output Enable    | RW   | Disable-Hi-Z | Enable | 1       |
| Bit 4  | 34/33 | NS_SRC1 Enable | Output Enable    | RW   | Disable-Hi-Z | Enable | 1       |
| Bit 3  | 32/31 | NS_SRC0 Enable | Output Enable    | RW   | Disable-Hi-Z | Enable | 1       |
| Bit 2  | 26/25 | SRC1 Enable    | Output Enable    | RW   | Disable-Hi-Z | Enable | 1       |
| Bit 1  | 24/23 | SRC0 Enable    | Output Enable    | RW   | Disable-Hi-Z | Enable | 1       |
| Bit 0  |       |                | RESERVED         |      |              |        | 1       |

SMBus Table: Output Enable Register

| Byte 1 | Pin #           | Name                   | Control Function | Type | 0            | 1         | Default |
|--------|-----------------|------------------------|------------------|------|--------------|-----------|---------|
| Bit 7  | 59              | REF14_3x Enable        | Output Enable    | RW   | Disable-Low  | Enable    | 1       |
| Bit 6  |                 |                        | RESERVED         |      |              |           | 0       |
| Bit 5  |                 |                        | RESERVED         |      |              |           | 0       |
| Bit 4  |                 |                        | RESERVED         |      |              |           | 1       |
| Bit 3  | 50/49           | CPU2                   | Output Enable    | RW   | Disable-Hi-Z | Enable    | 1       |
| Bit 2  | 46/45           | CPU1                   | Output Enable    | RW   | Disable-Hi-Z | Enable    | 1       |
| Bit 1  | 44/43           | CPU0                   | Output Enable    | RW   | Disable-Hi-Z | Enable    | 1       |
| Bit 0  | CPU/SRC/<br>PCI | Spread Spectrum Enable | Spread Off/On    | RW   | Spread Off   | Spread On | 0       |

SMBus Table: Output Enable Register

| Byte 2 | Pin # | Name         | Control Function | Type | 0           | 1      | Default |
|--------|-------|--------------|------------------|------|-------------|--------|---------|
| Bit 7  |       |              | RESERVED         |      |             |        | 0       |
| Bit 6  |       |              | RESERVED         |      |             |        | 0       |
| Bit 5  |       |              | RESERVED         |      |             |        | 1       |
| Bit 4  |       |              | RESERVED         |      |             |        | 1       |
| Bit 3  | 5     | PCI2 Enable  | Output Enable    | RW   | Disable-Low | Enable | 1       |
| Bit 2  | 6     | PCI1 Enable  | Output Enable    | RW   | Disable-Low | Enable | 1       |
| Bit 1  | 7     | PCI0 Enable  | Output Enable    | RW   | Disable-Low | Enable | 1       |
| Bit 0  | 11    | 48MHz Enable | Output Enable    | RW   | Disable-Low | Enable | 1       |

SMBus Table: Reserved

| Byte 3 | Pin # | Name | Control Function | Type | 0 | 1 | Default |
|--------|-------|------|------------------|------|---|---|---------|
| Bit 7  |       |      | RESERVED         |      |   |   | 0       |
| Bit 6  |       |      | RESERVED         |      |   |   | 0       |
| Bit 5  |       |      | RESERVED         |      |   |   | 0       |
| Bit 4  |       |      | RESERVED         |      |   |   | 0       |
| Bit 3  |       |      | RESERVED         |      |   |   | 0       |
| Bit 2  |       |      | RESERVED         |      |   |   | 0       |
| Bit 1  |       |      | RESERVED         |      |   |   | 0       |
| Bit 0  |       |      | RESERVED         |      |   |   | 0       |

SMBus Table: Reserved

| Byte 4 | Pin # | Name | Control Function | Type | 0 | 1 | Default |
|--------|-------|------|------------------|------|---|---|---------|
| Bit 7  |       |      | RESERVED         |      |   |   | 0       |
| Bit 6  |       |      | RESERVED         |      |   |   | 0       |
| Bit 5  |       |      | RESERVED         |      |   |   | 0       |
| Bit 4  |       |      | RESERVED         |      |   |   | 0       |
| Bit 3  |       |      | RESERVED         |      |   |   | 0       |
| Bit 2  |       |      | RESERVED         |      |   |   | 0       |
| Bit 1  |       |      | RESERVED         |      |   |   | 0       |
| Bit 0  |       |      | RESERVED         |      |   |   | 0       |

SMBus Table: NS\_SAS/NS\_SRC Frequency Margining Table

| Byte 5 | Pin # | Name | Control Function | Type | 0                                     | 1 | Default |
|--------|-------|------|------------------|------|---------------------------------------|---|---------|
| Bit 7  |       |      | RESERVED         |      |                                       |   | 0       |
| Bit 6  |       |      | RESERVED         |      |                                       |   | 0       |
| Bit 5  |       |      | RESERVED         |      |                                       |   | 0       |
| Bit 4  | -     | FS4  | Freq. Sel 4      | RW   | See NS_SAS/NS_SRC<br>Frequency Table. |   | 0       |
| Bit 3  | -     | FS3  | Freq. Sel 3      | RW   |                                       | 1 |         |
| Bit 2  | -     | FS2  | Freq. Sel 2      | RW   |                                       | 1 |         |
| Bit 1  | -     | FS1  | Freq. Sel 1      | RW   |                                       | 1 |         |
| Bit 0  | -     | FS0  | Freq. Sel 0      | RW   |                                       | 1 |         |

SMBus Table: Test Mode and CPU/SRC/PCI Frequency Select Register

| Byte 6 | Pin # | Name                  | Control Function | Type | 0   | 1      | Default |
|--------|-------|-----------------------|------------------|------|---|--------|---------|
| Bit 7  | -     | Test Mode             | Test Mode Type   | RW   | Hi-Z                                      | REF/N  | 0       |
| Bit 6  | -     | Test Select           | Select Test Mode | RW   | Disable                                   | Enable | 0       |
| Bit 5  | -     |                       | RESERVED         |      |   |        | 0       |
| Bit 4  | -     | 100M_133M# (See note) | Frequency Select | R    | 133MHz                                    | 100MHz | Latch   |
| Bit 3  | -     | FS3                   | Freq. Sel 3      | RW   | See CPU/SRC/PCI Frequency<br>Select Table |        | 1       |
| Bit 2  | -     | FS2                   | Freq. Sel 2      | RW   |   | 0      |         |
| Bit 1  | -     | FS1                   | Freq. Sel 1      | RW   |   | 0      |         |
| Bit 0  | -     | FS0                   | Freq. Sel 0      | RW   |   | 0      |         |

Note: Internal Pull up on 100M\_133M# pin will result in default CPU frequency of 100 MHz.

SMBus Table: Vendor &amp; Revision ID Register

| Byte 7 | Pin # | Name | Control Function | Type | 0                | 1 | Default |
|--------|-------|------|------------------|------|------------------|---|---------|
| Bit 7  | -     | RID3 | REVISION ID      | R    | 0011 for A rev   |   | 0       |
| Bit 6  | -     | RID2 |                  | R    |                  | 0 |         |
| Bit 5  | -     | RID1 |                  | R    |                  | 1 |         |
| Bit 4  | -     | RID0 |                  | R    |                  | 1 |         |
| Bit 3  | -     | VID3 | VENDOR ID        | R    | 0001 for ICS/IDT |   | 0       |
| Bit 2  | -     | VID2 |                  | R    |                  | 0 |         |
| Bit 1  | -     | VID1 |                  | R    |                  | 0 |         |
| Bit 0  | -     | VID0 |                  | R    |                  | 1 |         |

SMBus Table: Byte Count Register

| Byte 8 | Pin # | Name | Control Function                 | Type | 0  | 1 | Default |
|--------|-------|------|----------------------------------|------|--|---|---------|
| Bit 7  | -     | BC7  | Byte Count<br>Programming b(7:0) | RW   | Writing to this register will<br>configure how many bytes will<br>be read back, default is A<br>bytes.<br>(0 to 9) |   | 0       |
| Bit 6  | -     | BC6  |                                  | RW   |  | 0 |         |
| Bit 5  | -     | BC5  |                                  | RW   |  | 0 |         |
| Bit 4  | -     | BC4  |                                  | RW   |  | 0 |         |
| Bit 3  | -     | BC3  |                                  | RW   |  | 1 |         |
| Bit 2  | -     | BC2  |                                  | RW   |  | 0 |         |
| Bit 1  | -     | BC1  |                                  | RW   |  | 1 |         |
| Bit 0  | -     | BC0  |                                  | RW   |  | 0 |         |

SMBus Table: Device ID Register

| Byte 9 | Pin # | Name | Control Function      | Type | 0 | 1 | Default |
|--------|-------|------|-----------------------|------|---|---|---------|
| Bit 7  |       | DID7 | Device ID<br>(17 hex) | R    | - | - | 0       |
| Bit 6  |       | DID6 |                       | R    | - | - | 0       |
| Bit 5  |       | DID5 |                       | R    | - | - | 0       |
| Bit 4  |       | DID4 |                       | R    | - | - | 1       |
| Bit 3  |       | DID3 |                       | R    | - | - | 0       |
| Bit 2  |       | DID2 |                       | R    | - | - | 1       |
| Bit 1  |       | DID1 |                       | R    | - | - | 1       |
| Bit 0  |       | DID0 |                       | R    | - | - | 1       |

CPU/SRC/PCI Frequency Selection Table

| Line | Byte 1,<br>Bit 0<br>Spread<br>Enable | Byte6<br>Bit3<br>FS3 | Byte6<br>Bit2<br>FS2 | Byte6<br>Bit1<br>FS1 | Byte6<br>Bit0<br>FS0 | CPU<br>Speed<br>for<br>100MHz | CPU<br>Speed<br>for<br>133MHz | SRC<br>(MHz)  | PCI<br>(MHz) | Spread<br>% |
|------|--------------------------------------|----------------------|----------------------|----------------------|----------------------|-------------------------------|-------------------------------|---------------|--------------|-------------|
| 0    | 0                                    | 0                    | 0                    | 0                    | 0                    | 89.97                         | 119.97                        | 89.97         | 29.99        | 0%          |
| 1    | 0                                    | 0                    | 0                    | 0                    | 1                    | 91.28                         | 121.70                        | 91.28         | 30.43        |             |
| 2    | 0                                    | 0                    | 0                    | 1                    | 0                    | 92.58                         | 123.44                        | 92.58         | 30.86        |             |
| 3    | 0                                    | 0                    | 0                    | 1                    | 1                    | 93.75                         | 125.00                        | 93.75         | 31.25        |             |
| 4    | 0                                    | 0                    | 1                    | 0                    | 0                    | 95.05                         | 126.73                        | 95.05         | 31.68        |             |
| 5    | 0                                    | 0                    | 1                    | 0                    | 1                    | 96.22                         | 128.30                        | 96.22         | 32.07        |             |
| 6    | 0                                    | 0                    | 1                    | 1                    | 0                    | 97.53                         | 130.03                        | 97.53         | 32.51        |             |
| 7    | 0                                    | 0                    | 1                    | 1                    | 1                    | 98.83                         | 131.77                        | 98.83         | 32.94        |             |
| 8    | 0                                    | 1                    | 0                    | 0                    | 0                    | <b>100.00</b>                 | <b>133.33</b>                 | <b>100.00</b> | <b>33.33</b> |             |
| 9    | 0                                    | 1                    | 0                    | 0                    | 1                    | 101.30                        | 135.07                        | 101.30        | 33.77        |             |
| 10   | 0                                    | 1                    | 0                    | 1                    | 0                    | 102.47                        | 136.63                        | 102.47        | 34.16        |             |
| 11   | 0                                    | 1                    | 0                    | 1                    | 1                    | 103.78                        | 138.37                        | 103.78        | 34.59        |             |
| 12   | 0                                    | 1                    | 1                    | 0                    | 0                    | 105.08                        | 140.10                        | 105.08        | 35.03        |             |
| 13   | 0                                    | 1                    | 1                    | 0                    | 1                    | 106.25                        | 141.67                        | 106.25        | 35.42        |             |
| 14   | 0                                    | 1                    | 1                    | 1                    | 0                    | 107.55                        | 143.40                        | 107.55        | 35.85        |             |
| 15   | 0                                    | 1                    | 1                    | 1                    | 1                    | 110.03                        | 146.70                        | 110.03        | 36.68        |             |
| 16   | 1                                    | 0                    | 0                    | 0                    | 0                    | 89.97                         | 119.97                        | 89.97         | 29.99        | -0.5%       |
| 17   | 1                                    | 0                    | 0                    | 0                    | 1                    | 91.28                         | 121.70                        | 91.28         | 30.43        |             |
| 18   | 1                                    | 0                    | 0                    | 1                    | 0                    | 92.58                         | 123.44                        | 92.58         | 30.86        |             |
| 19   | 1                                    | 0                    | 0                    | 1                    | 1                    | 93.75                         | 125.00                        | 93.75         | 31.25        |             |
| 20   | 1                                    | 0                    | 1                    | 0                    | 0                    | 95.05                         | 126.73                        | 95.05         | 31.68        |             |
| 21   | 1                                    | 0                    | 1                    | 0                    | 1                    | 96.22                         | 128.30                        | 96.22         | 32.07        |             |
| 22   | 1                                    | 0                    | 1                    | 1                    | 0                    | 97.53                         | 130.03                        | 97.53         | 32.51        |             |
| 23   | 1                                    | 0                    | 1                    | 1                    | 1                    | 98.83                         | 131.77                        | 98.83         | 32.94        |             |
| 24   | 1                                    | 1                    | 0                    | 0                    | 0                    | 100.00                        | 133.33                        | 100.00        | 33.33        |             |
| 25   | 1                                    | 1                    | 0                    | 0                    | 1                    | 101.30                        | 135.07                        | 101.30        | 33.77        |             |
| 26   | 1                                    | 1                    | 0                    | 1                    | 0                    | 102.47                        | 136.63                        | 102.47        | 34.16        |             |
| 27   | 1                                    | 1                    | 0                    | 1                    | 1                    | 103.78                        | 138.37                        | 103.78        | 34.59        |             |
| 28   | 1                                    | 1                    | 1                    | 0                    | 0                    | 105.08                        | 140.10                        | 105.08        | 35.03        |             |
| 29   | 1                                    | 1                    | 1                    | 0                    | 1                    | 106.25                        | 141.67                        | 106.25        | 35.42        |             |
| 30   | 1                                    | 1                    | 1                    | 1                    | 0                    | 107.55                        | 143.40                        | 107.55        | 35.85        |             |
| 31   | 1                                    | 1                    | 1                    | 1                    | 1                    | 110.03                        | 146.70                        | 110.03        | 36.68        |             |

NS\_SAS Margining Table

| Line | Byte5<br>Bit4<br>FS4 | Byte5<br>Bit3<br>FS3 | Byte5<br>Bit2<br>FS2 | Byte5<br>Bit1<br>FS1 | Byte5<br>Bit0<br>FS0 | NS_xxx<br>(MHz) |
|------|----------------------|----------------------|----------------------|----------------------|----------------------|-----------------|
| 0    | 0                    | 0                    | 0                    | 0                    | 0                    | 61.05           |
| 1    | 0                    | 0                    | 0                    | 0                    | 1                    | 61.11           |
| 2    | 0                    | 0                    | 0                    | 1                    | 0                    | 63.89           |
| 3    | 0                    | 0                    | 0                    | 1                    | 1                    | 66.67           |
| 4    | 0                    | 0                    | 1                    | 0                    | 0                    | 69.44           |
| 5    | 0                    | 0                    | 1                    | 0                    | 1                    | 72.22           |
| 6    | 0                    | 0                    | 1                    | 1                    | 0                    | 75.00           |
| 7    | 0                    | 0                    | 1                    | 1                    | 1                    | 77.78           |
| 8    | 0                    | 1                    | 0                    | 0                    | 0                    | 80.56           |
| 9    | 0                    | 1                    | 0                    | 0                    | 1                    | 83.33           |
| 10   | 0                    | 1                    | 0                    | 1                    | 0                    | 86.11           |
| 11   | 0                    | 1                    | 0                    | 1                    | 1                    | 88.89           |
| 12   | 0                    | 1                    | 1                    | 0                    | 0                    | 91.67           |
| 13   | 0                    | 1                    | 1                    | 0                    | 1                    | 94.44           |
| 14   | 0                    | 1                    | 1                    | 1                    | 0                    | 97.22           |
| 15   | 0                    | 1                    | 1                    | 1                    | 1                    | 100.00          |
| 16   | 1                    | 0                    | 0                    | 0                    | 0                    | 102.78          |
| 17   | 1                    | 0                    | 0                    | 0                    | 1                    | 105.56          |
| 18   | 1                    | 0                    | 0                    | 1                    | 0                    | 108.33          |
| 19   | 1                    | 0                    | 0                    | 1                    | 1                    | 111.11          |
| 20   | 1                    | 0                    | 1                    | 0                    | 0                    | 113.89          |
| 21   | 1                    | 0                    | 1                    | 0                    | 1                    | 116.67          |
| 22   | 1                    | 0                    | 1                    | 1                    | 0                    | 119.44          |
| 23   | 1                    | 0                    | 1                    | 1                    | 1                    | 122.22          |
| 24   | 1                    | 1                    | 0                    | 0                    | 0                    | 125.00          |
| 25   | 1                    | 1                    | 0                    | 0                    | 1                    | 127.78          |
| 26   | 1                    | 1                    | 0                    | 1                    | 0                    | 130.56          |
| 27   | 1                    | 1                    | 0                    | 1                    | 1                    | 133.33          |
| 28   | 1                    | 1                    | 1                    | 0                    | 0                    | 136.11          |
| 29   | 1                    | 1                    | 1                    | 0                    | 1                    | 138.89          |
| 30   | 1                    | 1                    | 1                    | 1                    | 0                    | 141.67          |
| 31   | 1                    | 1                    | 1                    | 1                    | 1                    | 144.44          |

NOTE: Operation at other than the default entry is not guaranteed. These values are for margining purposes only.



| DIF Reference Clock                             |                    |      |        |
|---|--------------------|------|--------|
| Common Recommendations for Differential Routing | Dimension or Value | Unit | Figure |
| L1 length, route as non-coupled 50ohm trace     | 0.5 max            | inch | 1      |
| L2 length, route as non-coupled 50ohm trace     | 0.2 max            | inch | 1      |
| L3 length, route as non-coupled 50ohm trace     | 0.2 max            | inch | 1      |
| Rs  | 33                 | ohm  | 1      |
| Rt  | 49.9               | ohm  | 1      |

| Down Device Differential Routing                                 |                     |      |   |
|--|---------------------|------|---|
| L4 length, route as coupled microstrip 100ohm differential trace | 2 min to 16 max     | inch | 1 |
| L4 length, route as coupled stripline 100ohm differential trace  | 1.8 min to 14.4 max | inch | 1 |

| Differential Routing to PCI Express Connector                    |                       |      |   |
|--|-----------------------|------|---|
| L4 length, route as coupled microstrip 100ohm differential trace | 0.25 to 14 max        | inch | 2 |
| L4 length, route as coupled stripline 100ohm differential trace  | 0.225 min to 12.6 max | inch | 2 |

Figure 1: Down Device Routing

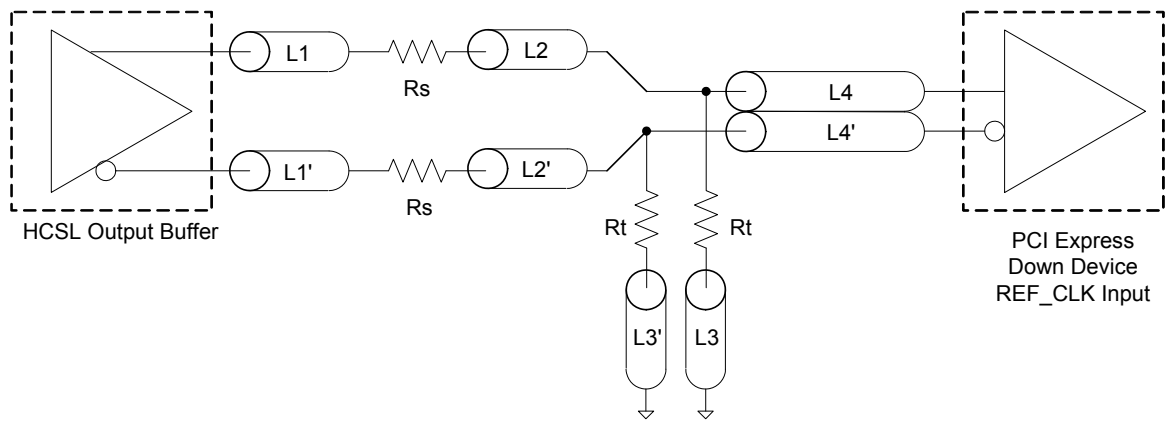
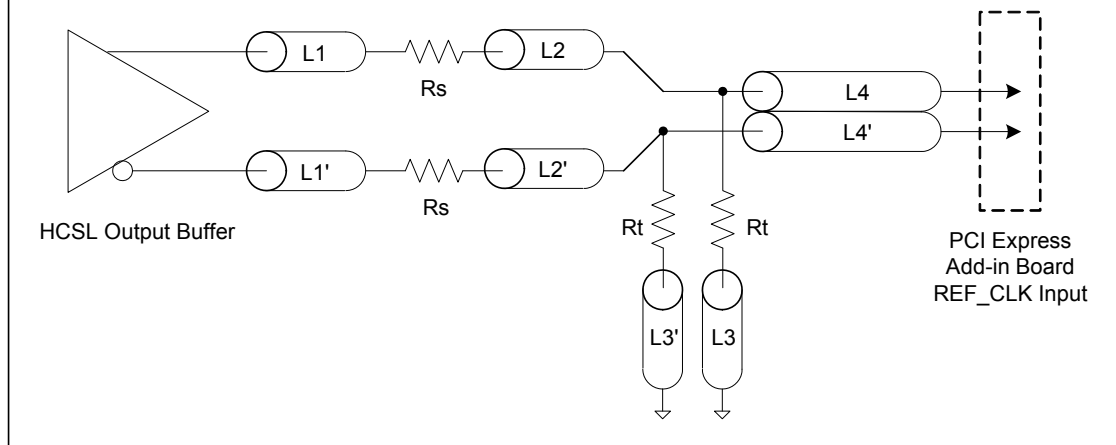
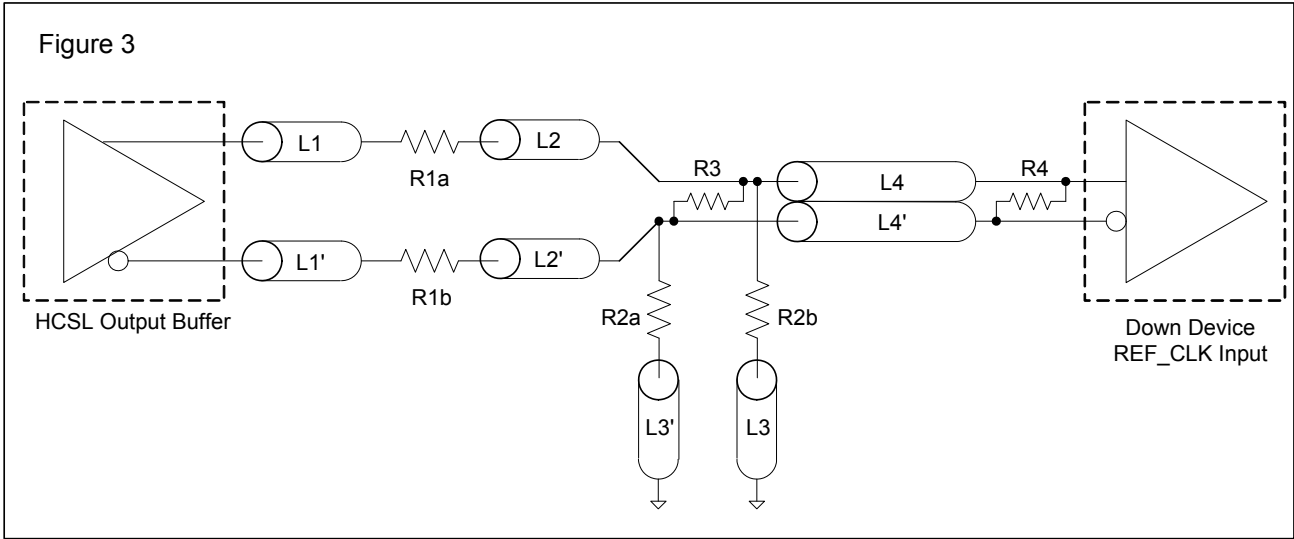


Figure 2: Differential Routing to PCI Express Controller

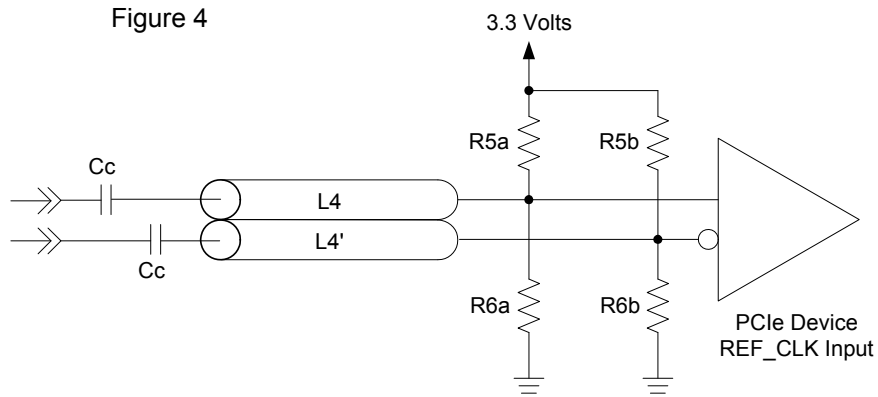


| Alternative Termination for LVDS and other Common Differential Signals (figure 3) |       |      |    |      |      |     |                                |
|---|-------|------|----|------|------|-----|--------------------------------|
| Vdiff   | Vp-p  | Vcm  | R1 | R2   | R3   | R4  | Note                           |
| 0.45v   | 0.22v | 1.08 | 33 | 150  | 100  | 100 |                                |
| 0.58  | 0.28  | 0.6  | 33 | 78.7 | 137  | 100 |                                |
| 0.80  | 0.40  | 0.6  | 33 | 78.7 | none | 100 | ICS874003i-02 input compatible |
| 0.60  | 0.3   | 1.2  | 33 | 174  | 140  | 100 | Standard LVDS                  |

R1a = R1b = R1  
R2a = R2b = R2



| Cable Connected AC Coupled Application (figure 4) |             |      |
|---|-------------|------|
| Component   | Value       | Note |
| R5a, R5b  | 8.2K 5%     |      |
| R6a, R6b  | 1K 5%       |      |
| Cc  | 0.1 μF      |      |
| Vcm   | 0.350 volts |      |



## Test Clarification Table

| Comments  | HW                 |                     | SW                        |                          | OUTPUT |
|---|--------------------|---------------------|---------------------------|--------------------------|--------|
|   | TEST_SEL<br>HW PIN | TEST_MODE<br>HW PIN | TEST<br>ENTRY BIT<br>B6b6 | REF/N or<br>HI-Z<br>B6b7 |        |
|   | 0                  | X                   | 0                         | X                        | NORMAL |
| Power-up w/ TEST_SEL = 1 (>2.0V) to enter test mode.<br>Cycle power to disable test mode.   | 1                  | 0                   | X                         | 0                        | HI-Z   |
|   | 1                  | 0                   | X                         | 1                        | REF/N  |
|   | 1                  | 1                   | X                         | 0                        | REF/N  |
|   | 1                  | 1                   | X                         | 1                        | REF/N  |
| If TEST_SEL HW pin is 0 during power-up,<br>test mode can be selected through B6b6.<br>If test mode is selected by B6b6, then B6b7<br>is used to select HI-Z or REF/N.<br>TEST_Mode pin is not used.<br>Cycle power to disable test mode. | 0                  | X                   | 1                         | 0                        | HI-Z   |
|   | 0                  | X                   | 1                         | 1                        | REF/N  |

B6b6: 1= ENTER TEST MODE, Default = 0 (NORMAL OPERATION)

B6b7: 1= REF/N, Default = 0 (HI-Z)

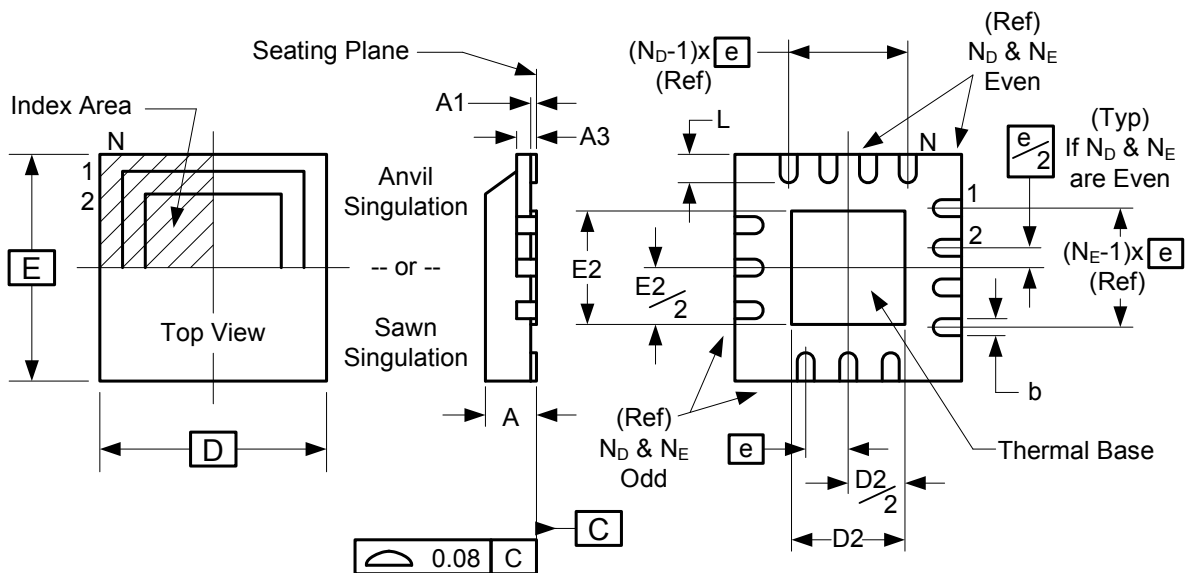
## Marking Diagram



### Notes:

1. ##### is the lot number.
2. YYWW is the last two digits of the year and week that the part was assembled.
3. "L" denotes RoHS compliant package.
4. 'CofO' is the country of origin.

## Package Outline and Package Dimensions (56-pin MLF)



| Symbol       | Millimeters    |      |
|--------------|----------------|------|
|              | Min            | Max  |
| A            | 0.8            | 1.0  |
| A1           | 0              | 0.05 |
| A3           | 0.25 Reference |      |
| b            | 0.18           | 0.3  |
| e            | 0.50 BASIC     |      |
| D x E BASIC  | 8.00 x 8.00    |      |
| D2 MIN./MAX. | 4.35           | 4.65 |
| E2 MIN./MAX. | 5.05           | 5.35 |
| L MIN./MAX.  | 0.30           | 0.50 |
| N            | 56             |      |
| ND           | 14             |      |
| NE           | 14             |      |

## Ordering Information

| Part / Order Number | Marking     | Shipping Packaging | Package    | Temperature |
|---------------------|-------------|--------------------|------------|-------------|
| 932SQ425AKLF        | see page 19 | Trays              | 56-pin MLF | 0 to +70° C |
| 932SQ425AKLFT       |             | Tape and Reel      | 56-pin MLF | 0 to +70° C |

"LF" suffix to the part number are the Pb-Free configuration and are RoHS compliant.

"A" is the device revision designator (will not correlate with the datasheet revision).

While the information presented herein has been checked for both accuracy and reliability, Integrated Device Technology (IDT) assumes no responsibility for either its use or for the infringement of any patents or other rights of third parties, which would result from its use. No other circuits, patents, or licenses are implied. This product is intended for use in normal commercial applications. Any other applications such as those requiring extended temperature range, high reliability, or other extraordinary environmental requirements are not recommended without additional processing by IDT. IDT reserves the right to change any circuitry or specifications without notice. IDT does not authorize or warrant any IDT product for use in life support devices or critical medical instruments.

**Revision History**

| <b>Rev.</b> | <b>Issue Date</b> | <b>Who</b> | <b>Description</b>  | <b>Page #</b> |
|-------------|-------------------|------------|---|---------------|
| A           | 12/8/2011         | RDW        | 1. Updated Phase Jitter Table to correct typo in "Conditions" column for SAS.<br>2. Mark spec added<br>3. Move to final | 8, 19         |
| B           | 4/23/2012         | RDW        | 1. Updated Rp values on Output Terminations Table from 43.2 ohms to 42.2 or 43.2 ohms to be consistent with Intel.      | 5             |



## IMPORTANT NOTICE AND DISCLAIMER

RENESAS ELECTRONICS CORPORATION AND ITS SUBSIDIARIES (“RENESAS”) PROVIDES TECHNICAL SPECIFICATIONS AND RELIABILITY DATA (INCLUDING DATASHEETS), DESIGN RESOURCES (INCLUDING REFERENCE DESIGNS), APPLICATION OR OTHER DESIGN ADVICE, WEB TOOLS, SAFETY INFORMATION, AND OTHER RESOURCES “AS IS” AND WITH ALL FAULTS, AND DISCLAIMS ALL WARRANTIES, EXPRESS OR IMPLIED, INCLUDING, WITHOUT LIMITATION, ANY IMPLIED WARRANTIES OF MERCHANTABILITY, FITNESS FOR A PARTICULAR PURPOSE, OR NON-INFRINGEMENT OF THIRD PARTY INTELLECTUAL PROPERTY RIGHTS.

These resources are intended for developers skilled in the art designing with Renesas products. You are solely responsible for (1) selecting the appropriate products for your application, (2) designing, validating, and testing your application, and (3) ensuring your application meets applicable standards, and any other safety, security, or other requirements. These resources are subject to change without notice. Renesas grants you permission to use these resources only for development of an application that uses Renesas products. Other reproduction or use of these resources is strictly prohibited. No license is granted to any other Renesas intellectual property or to any third party intellectual property. Renesas disclaims responsibility for, and you will fully indemnify Renesas and its representatives against, any claims, damages, costs, losses, or liabilities arising out of your use of these resources. Renesas' products are provided only subject to Renesas' Terms and Conditions of Sale or other applicable terms agreed to in writing. No use of any Renesas resources expands or otherwise alters any applicable warranties or warranty disclaimers for these products.

(Disclaimer Rev.1.0 Mar 2020)

### Corporate Headquarters

TOYOSU FORESIA, 3-2-24 Toyosu,  
Koto-ku, Tokyo 135-0061, Japan  
[www.renesas.com](http://www.renesas.com)

### Contact Information

For further information on a product, technology, the most up-to-date version of a document, or your nearest sales office, please visit:  
[www.renesas.com/contact/](http://www.renesas.com/contact/)

### Trademarks

Renesas and the Renesas logo are trademarks of Renesas Electronics Corporation. All trademarks and registered trademarks are the property of their respective owners.