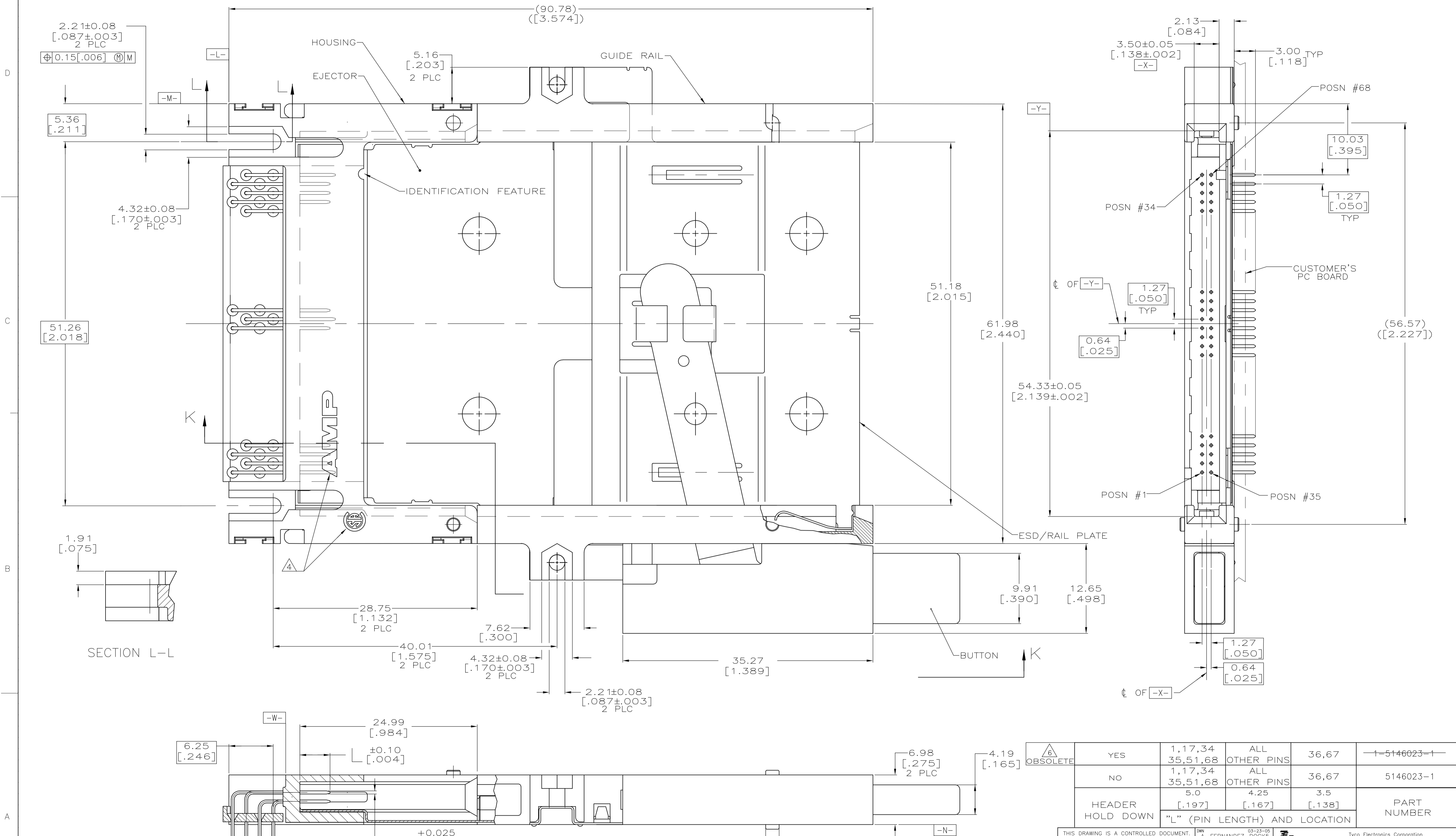


LOC		DIST		REVISIONS			
GP	00	REV	DATE	DESCRIPTION	DATE	OWN	APVD
		0	03-23-05	REL PER EC 0513-0031-05	03-23-05	AF	JG
		01	07NOV09	REVISED PER ECO-09-024927	07NOV09	KK	AEG

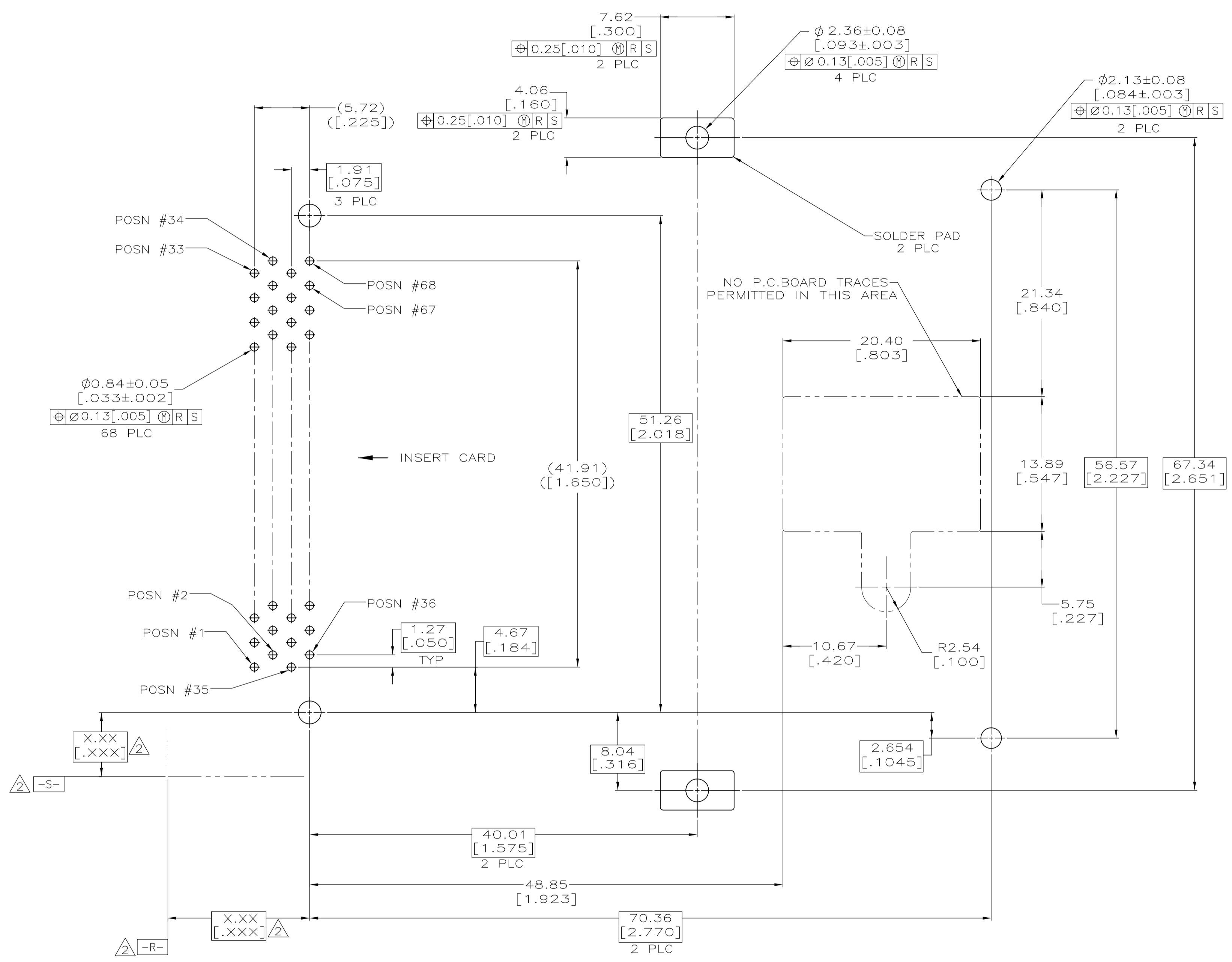


OBSOLETE	YES	1,17,34 35,51,68	ALL OTHER PINS	36,67	—1=5146023=1—
	NO	1,17,34 35,51,68	ALL OTHER PINS	36,67	5146023-1
HEADER HOLD DOWN		5.0 [.197]	4.25 [.167]	3.5 [.138]	PART NUMBER
	"L" (PIN LENGTH) AND LOCATION				

THIS DRAWING IS A CONTROLLED DOCUMENT.		OWN A. FERNANDEZ-DOCKS	03-23-05	Tyco Electronics Corporation Harrisburg, Pa 17105-3608	
DIMENSIONS: mm (INCHES)		CHK D.L. GORENC	03-23-05	NAME	
TELEGRAMS UNLESS OTHERWISE SPECIFIED:		APVD M. WALMSLEY	03-23-05	PRODUCT SPEC	
0 PLC ±		APPLICATION SPEC		SIZE	
1 PLC ±		MATERIAL		CAGE CODE	
2 PLC ± 0.13 (000)		FINISH		DRAWING NO	
3 PLC ±		MATERIAL		WEIGHT	
4 PLC ±		MATERIAL		CUSTOMER DRAWING	
ANGLES		MATERIAL		SCALE	
		MATERIAL		SHEET	
		MATERIAL		REV	

**COPYRIGHT 2005  
TYCO ELECTRONICS CORP  
ALL RIGHTS RESERVED**

LOC	DIST	REVISIONS				
GP	00	REV	DESCRIPTION	DATE	DWN	APVD
		0	SEE SHEET 1			

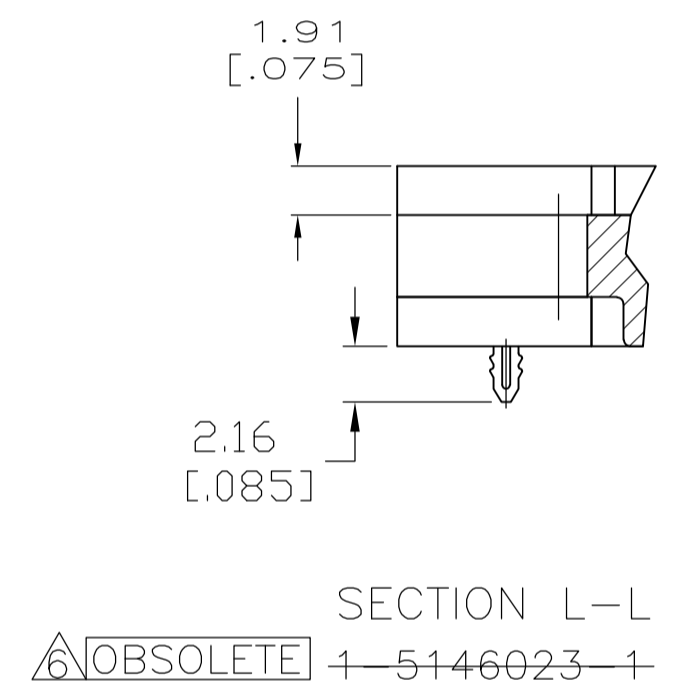
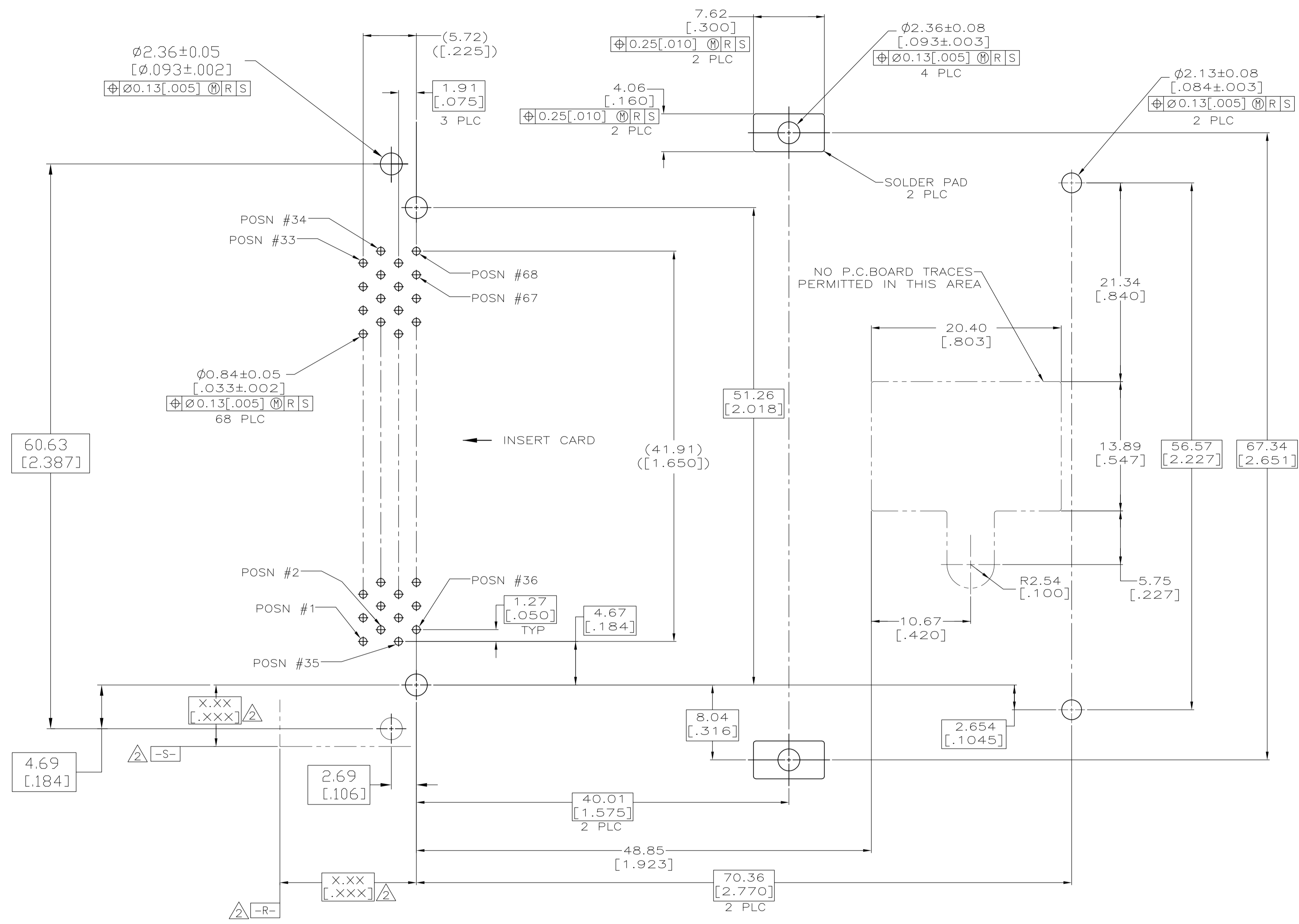


- 1. PIN:  
0.00076[.000030] MINIMUM GOLD IN CONTACT AREA,  
0.00381[.000150] MIN TIN ON SOLDER TAILS,  
ALL OVER 0.00127[.000050] MINIMUM NICKEL
- 2. DATUMS AND BASIC DIMENSIONS ESTABLISHED BY CUSTOMER
- 3. CONNECTOR REQUIRES USE OF 4 - SIZE 2M SCREWS FOR FASTENING TO PRINTED CIRCUIT BOARD
- 4. RECESSED AMP AND CSA LOGOS LOCATED ON BOTH SIDES OF HOUSING.
- 5. MATERIAL:  
HOUSING, GUIDES, SHROUD, BUTTON & ORGANIZER: LCP, COLOR: BLACK  
PINS: BRASS  
EJECTOR, RAIL PLATE & LEVER: STAINLESS STEEL
- 6. OBSOLETE PARTS: OBSOLETE CIS STREAMLINING PER D.RENAUD/D.SINISI

RECOMMENDED BOARD LAYOUT  
5146023-1

**COPYRIGHT 2005  
TYCO ELECTRONICS CORP  
ALL RIGHTS RESERVED**

THIS DRAWING IS A CONTROLLED DOCUMENT.		DWN A FERNANDEZ-DOCKS 03-23-05	CHK D.L. GORENC 03-23-05	Tyco Electronics Corporation Harrisburg, Pa 17105-3608	
DIMENSIONS: mm (INCHES)	TOLERANCES UNLESS OTHERWISE SPECIFIED:	APVD M. WALMSLEY 03-23-05	NAME M. WALMSLEY	CONNECTOR ASSY, PIN HEADER WITH LH EJECTOR, 68 POSN, TOP BD MTG, THRU-HOLE, AMP MEMORY CARD	
	0 PLC ± -	PRODUCT SPEC	SIZE A1	CAGE CODE 00779	DRAWING NO 5146023
	1 PLC ± -	APPLICATION SPEC	WEIGHT	SCALE 4:1	SHEET 2 OF 3
	2 PLC ± 0.13 [0.005]		CUSTOMER DRAWING	REV 01	
	3 PLC ± -				
	4 PLC ± -				
	ANGLES ± -				
MATERIAL	FINISH				



RECOMMENDED BOARD LAYOUT  
1-5146023-1

**COPYRIGHT 2005  
TYCO ELECTRONICS CORP  
ALL RIGHTS RESERVED**

THIS DRAWING IS A CONTROLLED DOCUMENT.		DWN A FERNANDEZ-DOCKS 03-24-05	APVD M. WALMSLEY 03-24-05	NAME D.L. GORENC	Tyco Electronics Corporation Harrisburg, Pa 17105-3608
DIMENSIONS: mm (INCHES)	TOLERANCES UNLESS OTHERWISE SPECIFIED:	0 PLC ±	1 PLC ±	2 PLC ±	3 PLC ±
		4 PLC ± 0.13 [0.005]	ANGLES ±		
MATERIAL	FINISH	WEIGHT	SCALE	SIZE	CAGE CODE
			4:1	A1	00779
CUSTOMER DRAWING		DRAWING NO		DRAWING NO	
		5146023		5146023	
		SHEET		REV	
		3 OF 3		01	