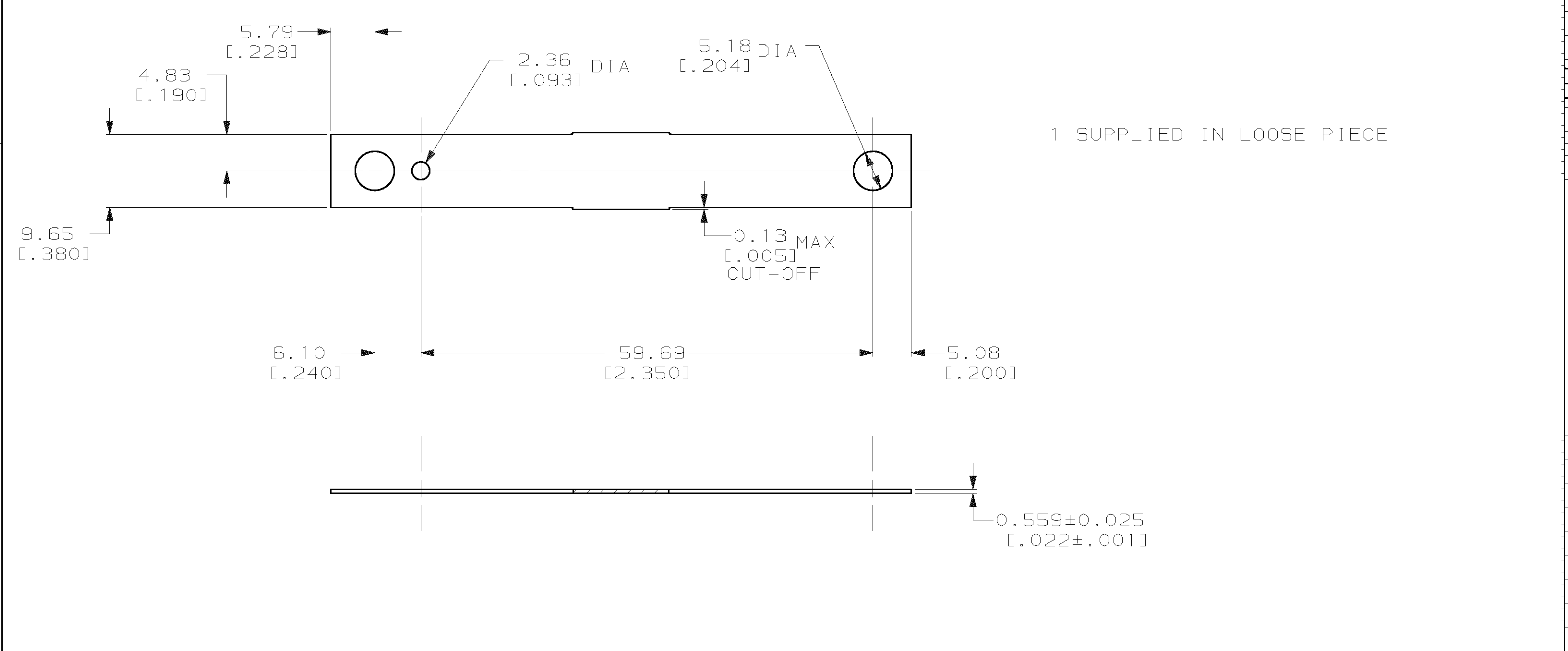


THIS DRAWING IS UNPUBLISHED. RELEASED FOR PUBLICATION, 19  
 © COPYRIGHT 19 BY AMP INCORPORATED. ALL INTERNATIONAL RIGHTS RESERVED.

LOC	DIST	P	F	ZONE	LTR	DESCRIPTION	DATE	APPD
AF	50				D	REVISED PER 0L10-0240-97	02/JUN/97	PF/JP



63554-1  
PART NO

DO NOT SCALE PRINT. UNLESS SPECIFIED DIMENSIONS IN mm [INCHES] TOLERANCES ON: 2 PLC DEC ± - 3 PLC DEC ± 0.25 [.010] ANGLES ± -	DR 8/2/89 P FORTNEY CHK 8/2/89 MS FEHER APPD 8/2/89 RP FRANTZ APPD 8/2/89 R KUZO PRODUCT SPEC - APPLICATION SPEC - WEIGHT -
MATERIAL COPPER ANNEALED	
FINISH -	

AMP INCORPORATED Harrisburg, Pa. 17105		
NAME GROUNDING STRAP		
SIZE <b>B</b>	CAGE CODE 00779	DRAWING NO 63554
SCALE 2:1	SHEET 1 OF 1	