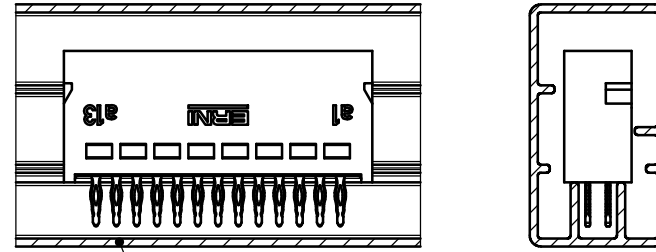
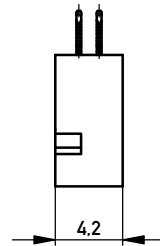
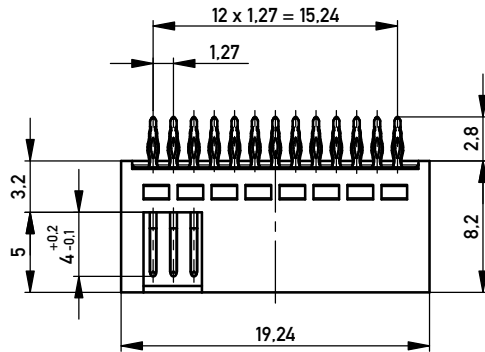
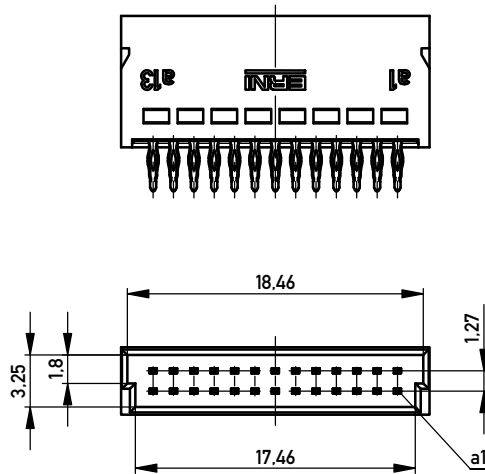


### Verpackt in Stangenprofil - Tube Packaging

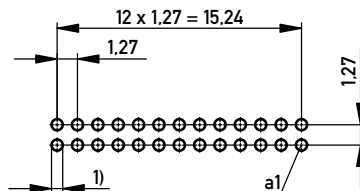
Verpackungseinheit: 35 Stück - Packaging unit: 35 pcs



Stangenprofil - Tube Packaging  
044915



Lochbild für Leiterplatte  
Board hole pattern

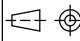


Anforderungsstufe 1  
Performance Level 1

Kontaktbereich vergoldet  
Mating Area gold plating

Anschlussbereich verzinkt 1-2 µm  
Terminal Area 1-2 µm tin plating

1) Lochaufbau siehe ERNI-Spezifikation 164062 Nr. 1  
hole design according to ERNI-specification 164062 No. 1

Information:	Tolerances	 All Dimensions in mm	Scale	3:1
	All rights reserved. Only for Information. To ensure that this is the latest version of this drawing, please contact one of the ERNI companies before using.			
Subject to modification without prior notice. Drawing will not be updated.	Designation <b>Messrl. SMC-Q 26-EE-BA 3</b> <b>Male SMC-Q 26-EE-type 3</b>		www.ERNI.com	
	ERNI		064003	
e	02.07.2015	Date		1
Index		Date		A3
Class			SMCQ	

Copyright by ERNI GmbH. Proprietary notice pursuant to ISO 9006 to be observed.