

**MICRO SWITCH**

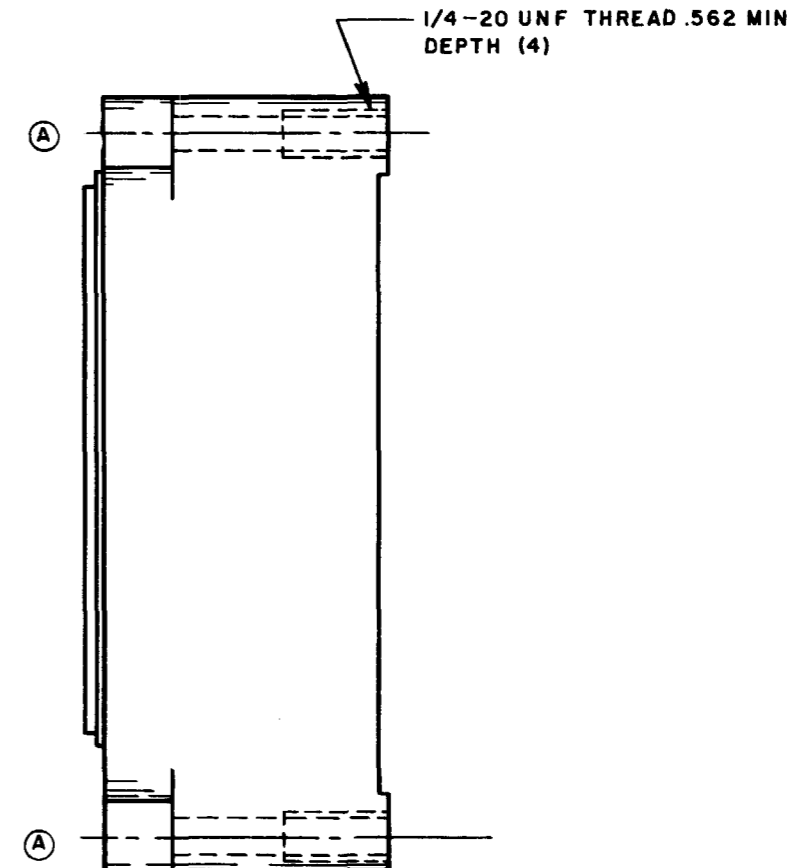
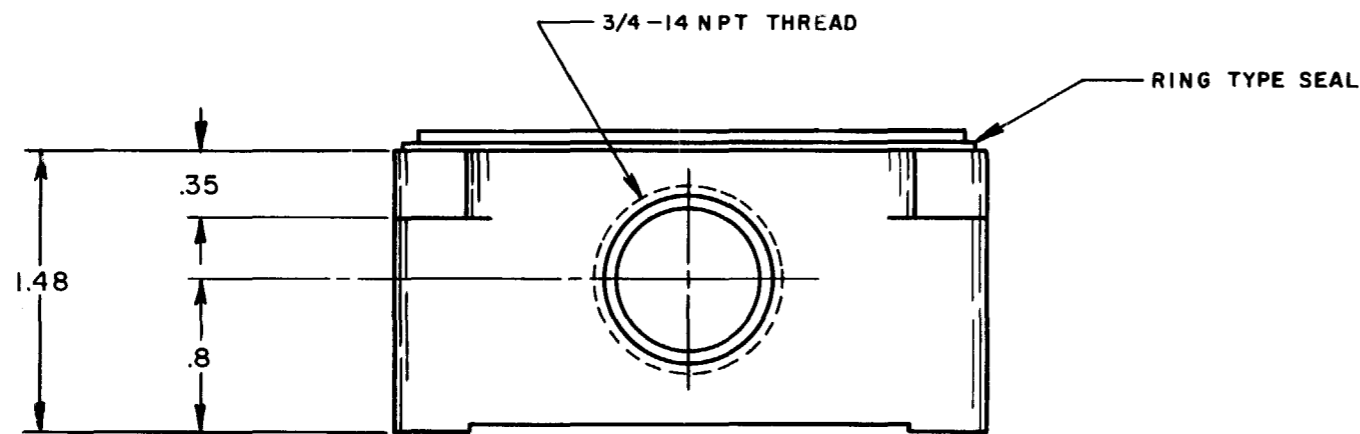
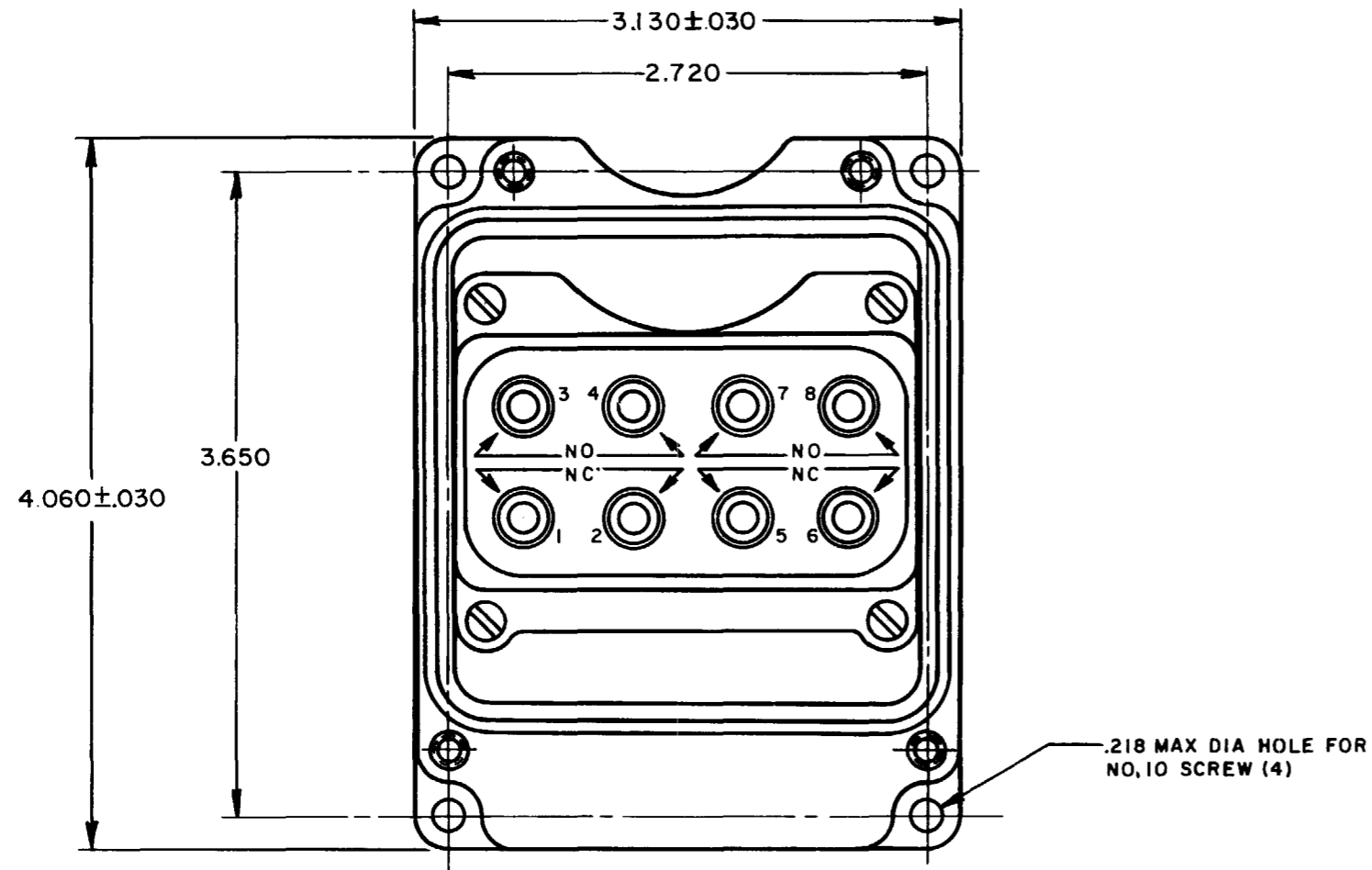
A DIVISION OF MINNEAPOLIS-HONEYWELL REGULATOR COMPANY  
FREEPORT, ILLINOIS  
FED. MFR. CODE 91929

**TERMINAL BLOCK-  
ENCLOSED**

CATALOG LISTING

**18PA3**

18PA3  
M  
DRAWING NUMBER  
X  
ISSUE  
3  
REPLACES  
RELEASE NO. SR 8252  
REVISIONS  
A CO 14341  
M B F  
20 JAN 60  
B CO 80837  
JAK  
10 MAY 95  
CHECK JWM 9 JUNE 59  
CHECK GCH 4 JUNE 59  
CHECK KAF 6 JUNE 59  
FORMTEK  
DRAWN



**NOTE -**

- 1 - ALUMINUM HOUSING FINISHED IN BLUE PAINT
- 2 - TERMINAL BLOCK IS REMOVABLE FOR WIRING, 8-32 NC TERMINAL SCREWS AND LOCKWASHER (SEMS) (8), LUGS INCLUDED FOR TERMINATION WITH STRIPPED BARE WIRE (8)

THIS DRAWING COVERS A PROPRIETARY ITEM AND IS THE PROPERTY OF MICRO SWITCH, A DIVISION OF MINNEAPOLIS-HONEYWELL REGULATOR CO. THIS DRAWING IS NOT TO BE COPIED OR USED WITHOUT THE APPROVAL OF MICRO SWITCH.

CHARACTERISTICS	ELECTRICAL DATA		SCALE - FULL
	CONTACT ARRANGEMENT	BREAK DISTANCE	DO NOT SCALE PRINT
			UNLESS OTHERWISE SPECIFIED DIMENSIONS ARE IN INCHES <b>TOLERANCES ARE:</b>
			ONE PLACE (.0) ±.030 TWO PLACE (.00) ±.015 THREE PLACE (.000) ±.005 ANGLES ±
			WEIGHT