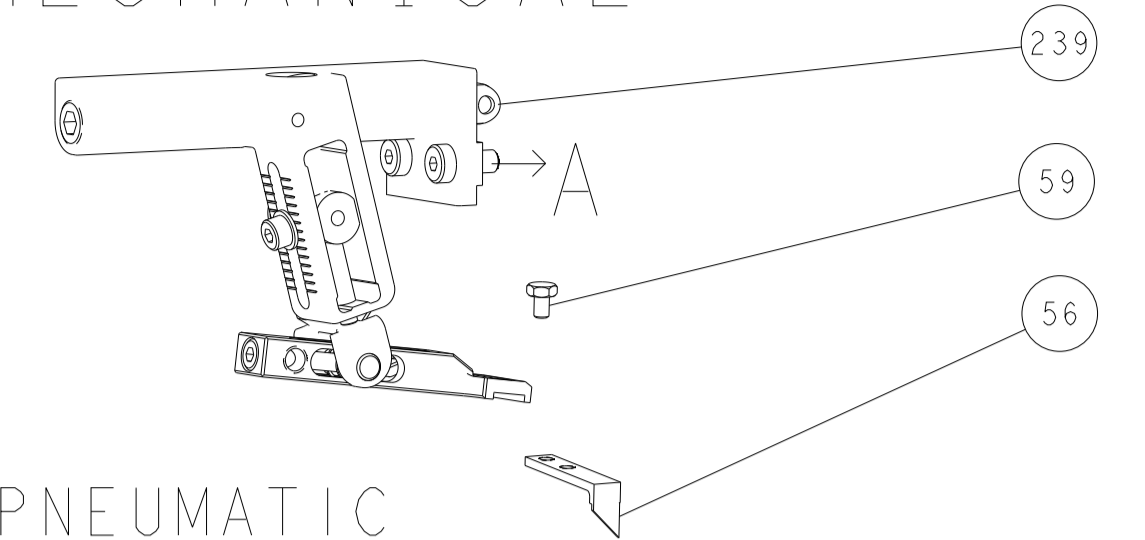
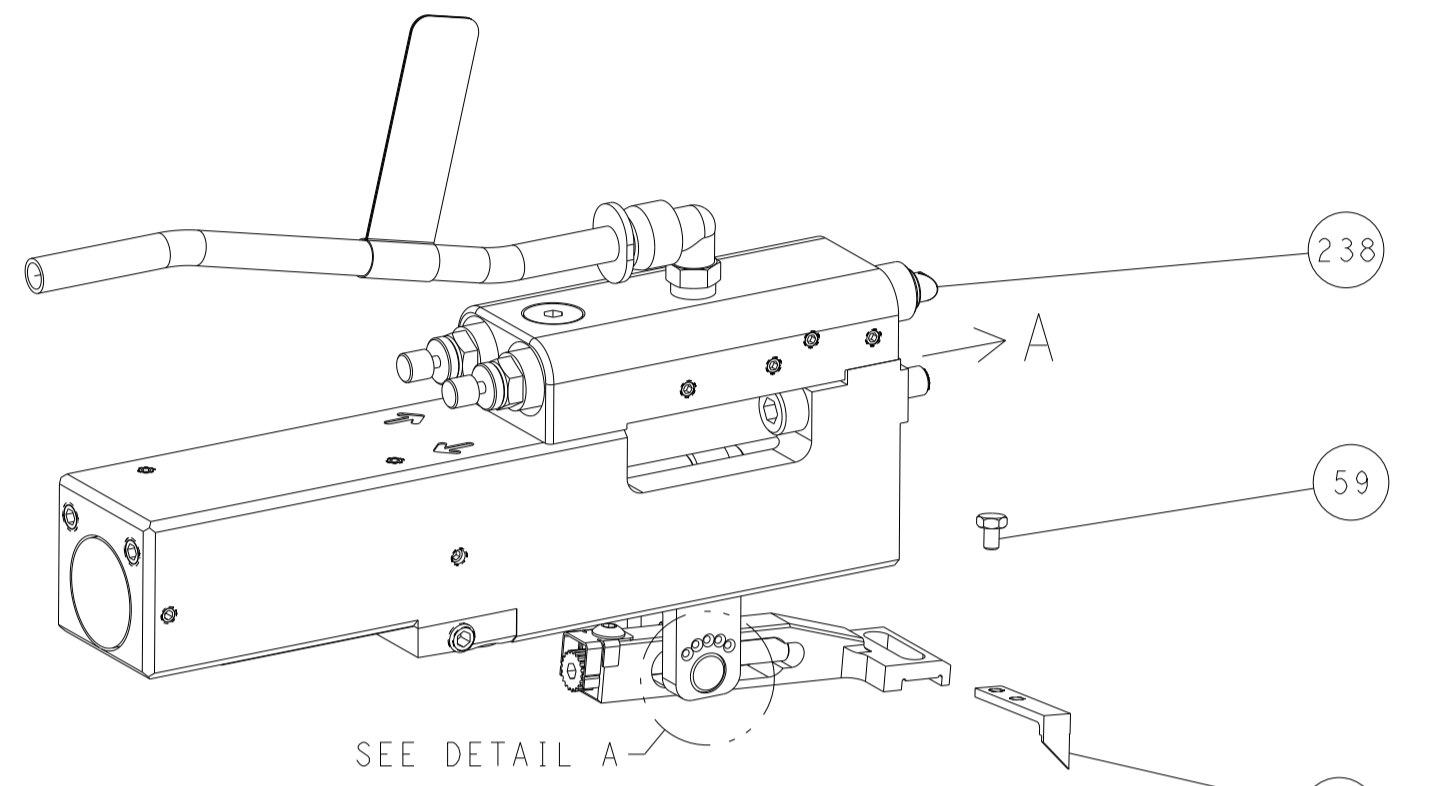


LOC	DIST	REVISIONS					
A	66	P	LYN	DESCRIPTION	DATE	DWN	APVD
		-		SEE SHEET 1			

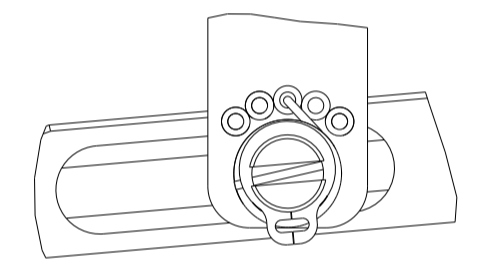
FEED TYPE MECHANICAL



PNEUMATIC

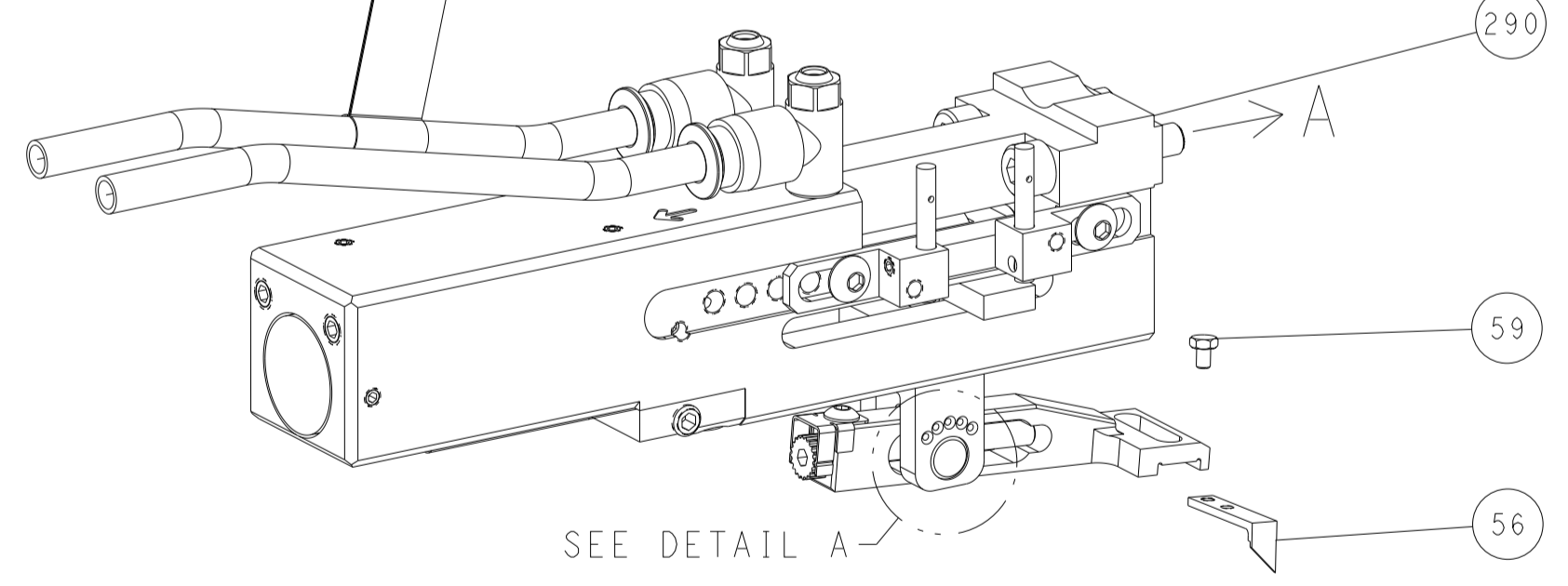


SEE DETAIL A
 FEED SPRING SETTING POSITION
 (SHOWN FROM REAR SIDE)



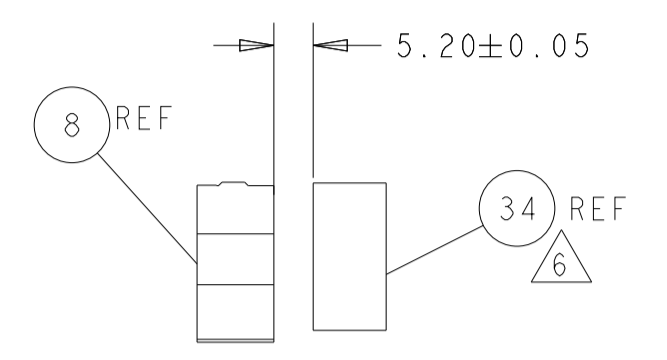
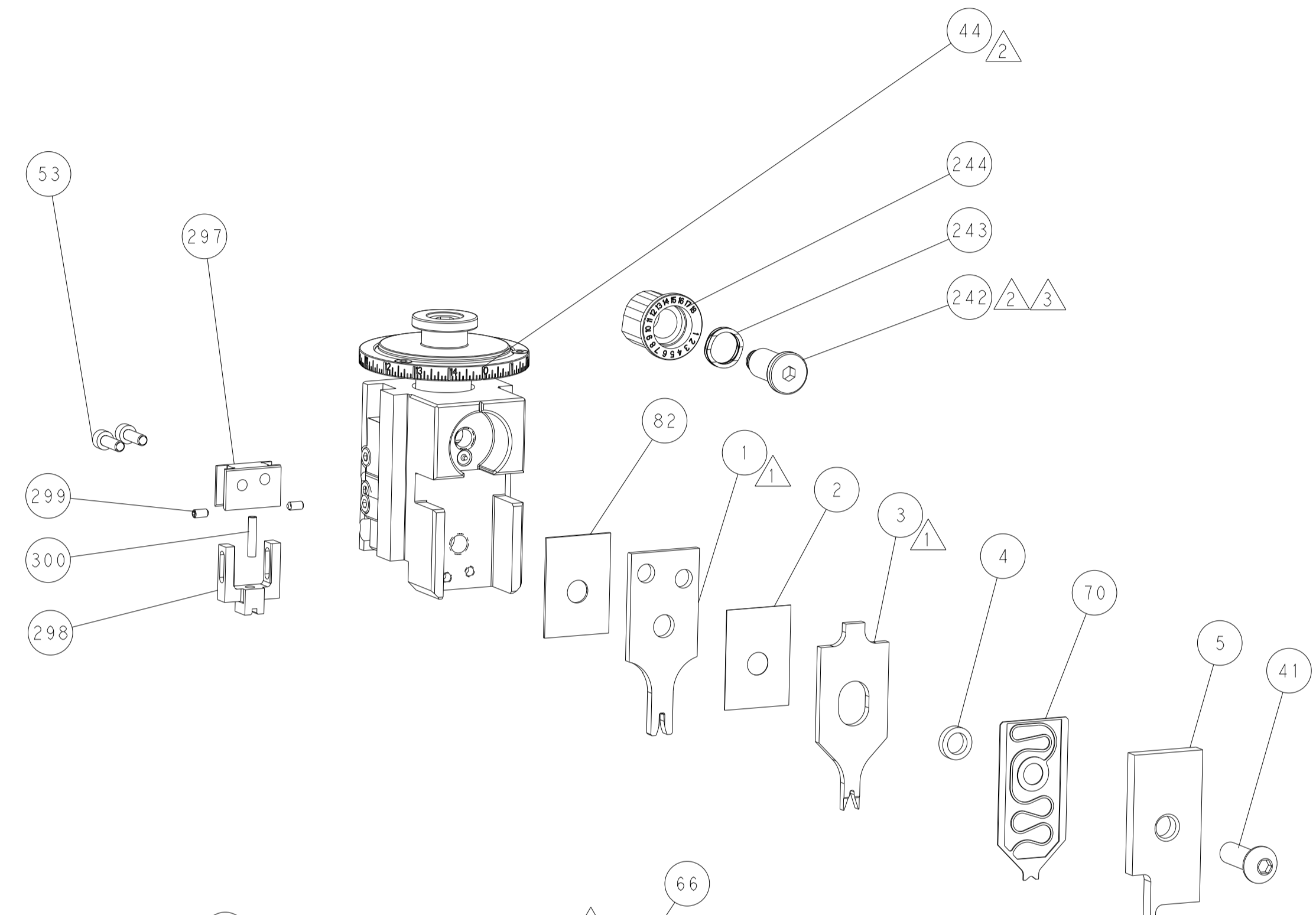
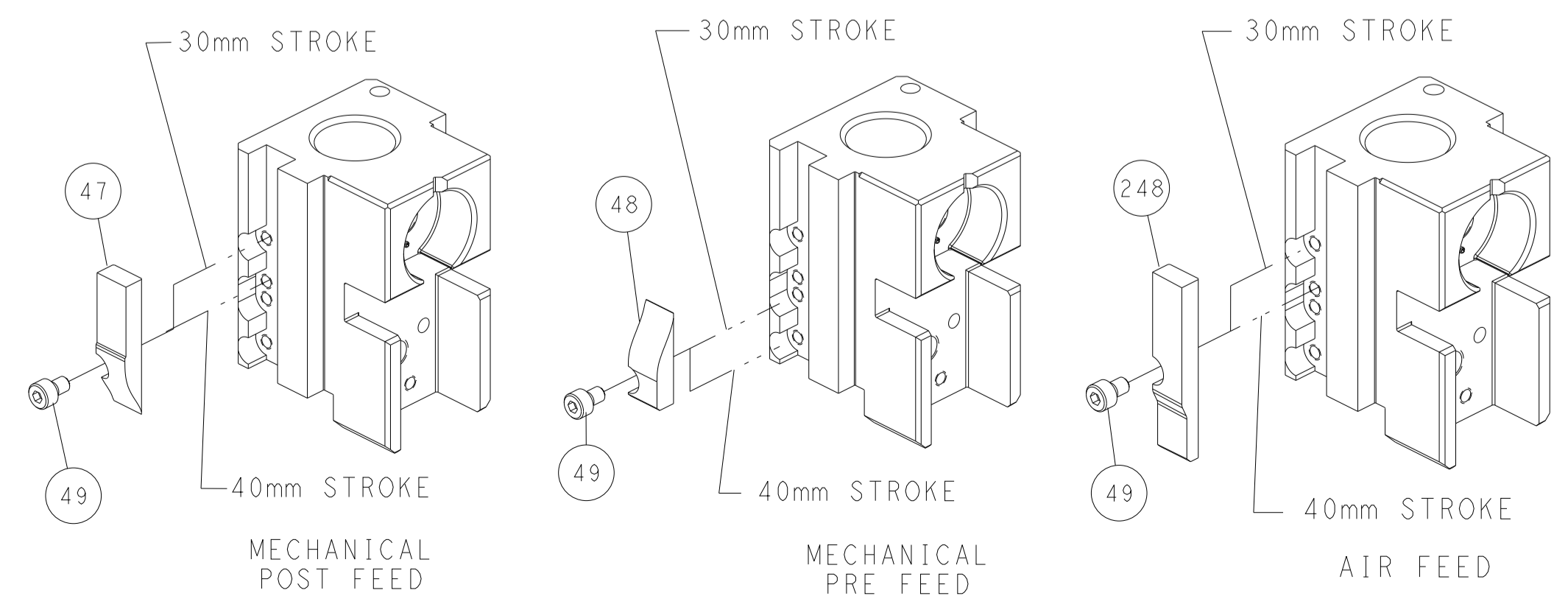
DETAIL A

DOUBLE ACTING PNEUMATIC WITH SENSORS

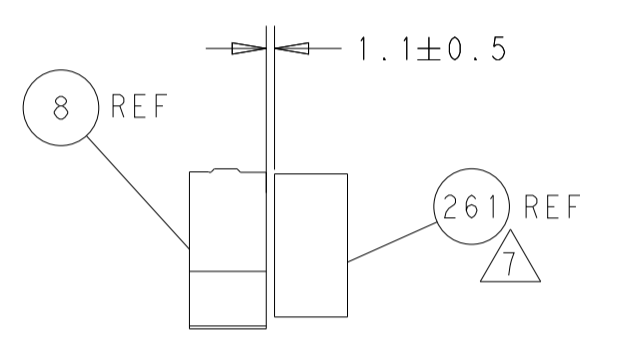


SEE DETAIL A

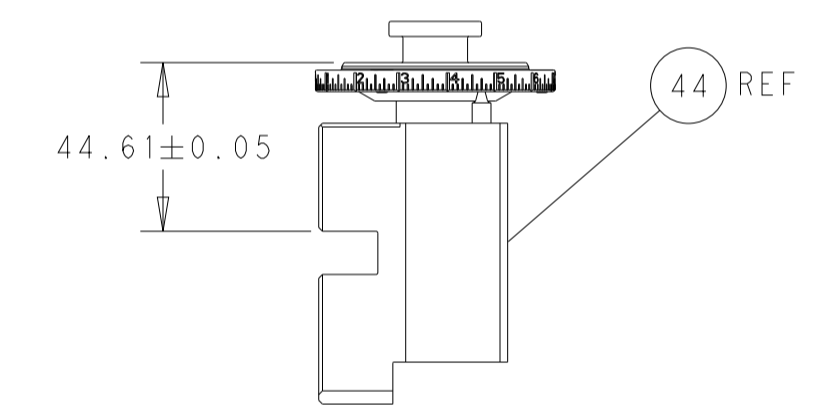
CAM POSITIONS



TERMINAL SUPPORT LOCATION
FOR MALE TERMINAL

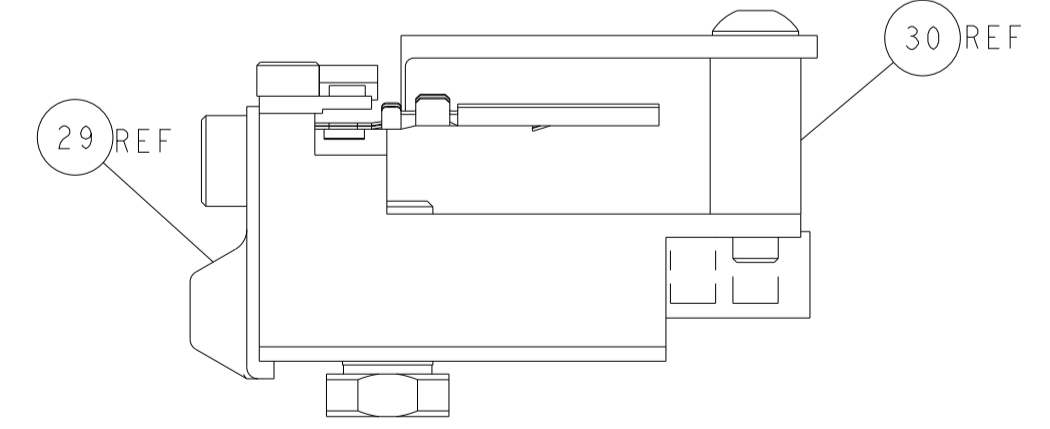


TERMINAL SUPPORT LOCATION
FOR FEMALE TERMINAL

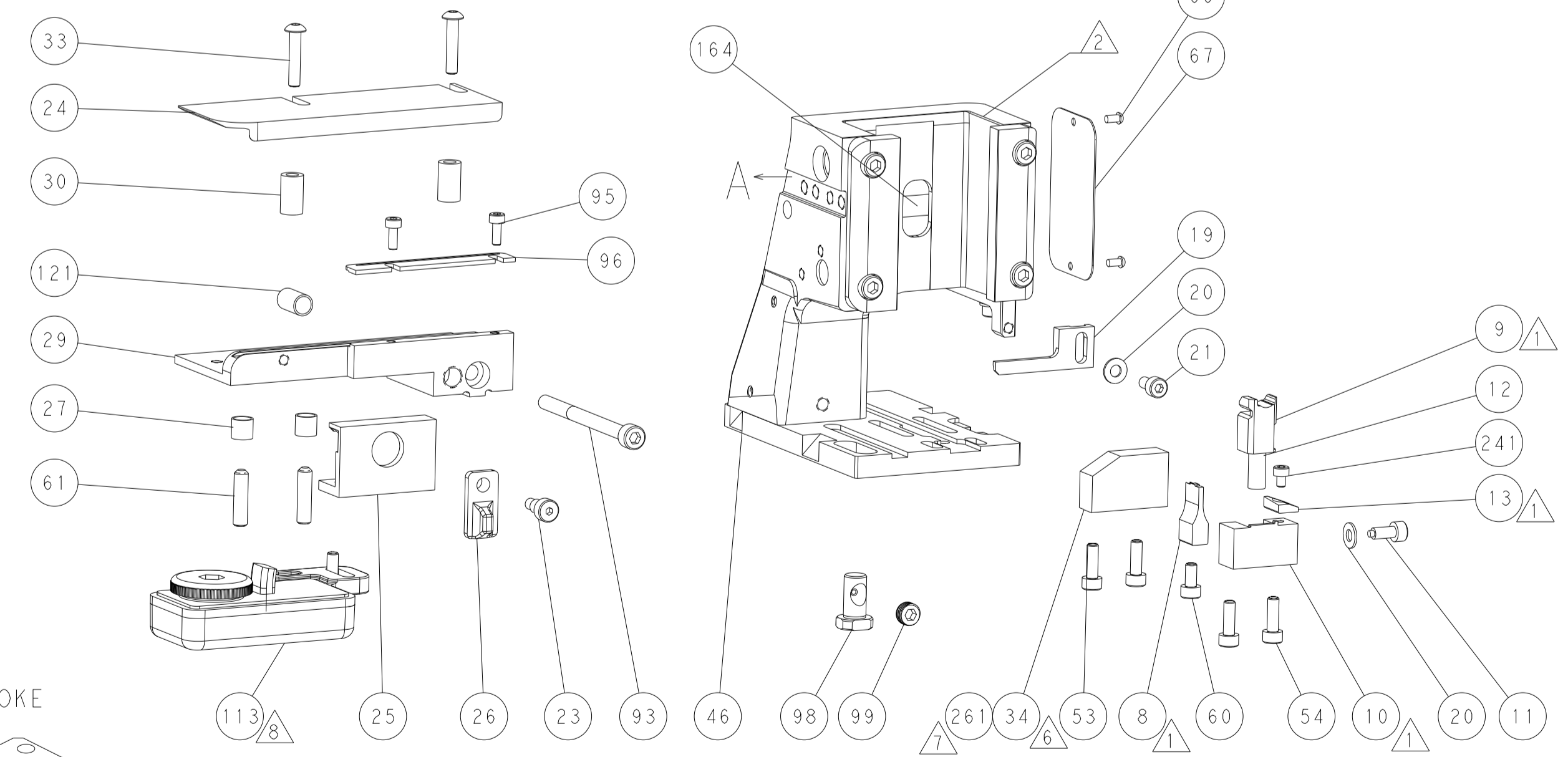


RAM SET-UP

ITEM 30 LOCATED AT
REAR HOLES



FEED TRACK POSITION
GUIDE BY INSULATION BARREL

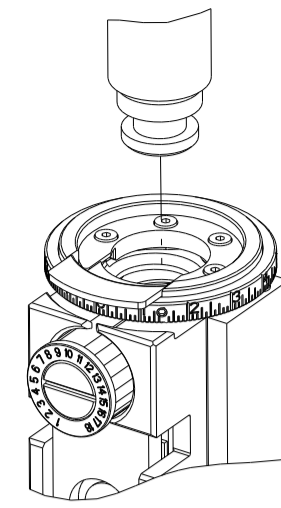


ATLANTIC VERSION
 Shown on sheets 1 of 4 & 2 of 4
 (Pacific version shown on sheets 3 of 4 & 4 of 4)

DIMENSIONS: mm 		TOLERANCES UNLESS OTHERWISE SPECIFIED: 0 PLC ± 1 PLC ± 2 PLC ± 3 PLC ± 4 PLC ± ANGLES ± FINISH ±		DWN C. MOYER Z0DEC2012 CHK T. ELBIN Z0DEC2012 APVD T. ELBIN Z0DEC2012 PRODUCT SPEC APPLICATION SPEC WEIGHT Customer Accessible Production Drawing		NAME Ocean Side Feed Applicator SIZE CAGE CODE DRAWING NO A1 00779 C=2151539 SCALE 1:2 SHEET 2 OF 4 REV Y		RESTRICTED TO - SHEETS 3 & 4 ARE NOT REQUIRED FOR ATLANTIC VERSION	
-----------------------	--	--	--	---	--	--	--	--	--

PART NUMBER	REVISION	DESCRIPTION	FEED TYPE
2-2151539-1	Y	FINE CRIMP HEIGHT ADJUST	MECHANICAL
2-2151539-2	Y	FINE CRIMP HEIGHT ADJUST	PNEUMATIC
4-2151539-2	Y	FINE CRIMP HEIGHT ADJUST	DOUBLE ACTING PNEUMATIC WITH SENSORS
7-2151539-7	Y	CRIMP TOOLING KIT	-

PACIFIC VERSION TERMINATOR INTERFACE ADAPTER



APPLICATOR DATA		
CRIMP	SIZE	TYPE
WIRE	1.78 mm [.070]	F
INSUL	1.73 mm [.068]	SP
APPLICATOR INSTRUCTIONS 408-35042		

TERMINAL DATA: TE TERMINAL TE CRIMP SPECIFICATION			
TERMINAL NAME: GET 0.64mm PIN AND SOCKET CONTACTS			
WIRE STRIP LENGTH	INSULATION DIAMETER RANGE		
4.40 mm [.173 IN]	Ø1.40-2.06 mm [.055-.081 IN]		
TERMINAL APPLICATION SPECIFICATION	114-13060		
TERMINALS APPLIED			
TE TERMINAL	TE TERMINAL	TE TERMINAL	TE TERMINAL
1393366-1	1393365-1	1438299-3	1438299-4
1393366-2	1393365-2	1438299-6	1-1438299-1
2-1393366-2			

WIRE SIZE	CRIMP HEIGHT mm [INCH]	CRIMP HEIGHT REFERENCE SETTING
18 AWG	1.12 +/- 0.04 [.044 +/- .0016]	7.0
0.75mm2	1.10 +/- 0.04 [.043 +/- .0016]	7.1
0.50mm2	1.02 +/- 0.04 [.040 +/- .0016]	8.1
20 AWG	1.02 +/- 0.04 [.040 +/- .0016]	8.1

- RECOMMENDED SPARE PARTS
- REFER TO SUPPLIED INSTRUCTION SHEET FOR CLEANING, LUBRICATION AND STORAGE OF APPLICATOR.
- APPLY PART NUMBER 2-23419-6 LOCTITE TO THREADS OF ITEM 242.
- CRIMP HEIGHT REFERENCE SETTING WAS THE SETTING USED WHEN THE APPLICATOR WAS QUALIFIED AT THE FACTORY. ADJUSTMENT MAY BE NECESSARY WHEN RUNNING APPLICATOR IN THE FIELD.
- REAR STRIP GUIDE MUST BE ADJUSTED WHEN SWITCHING TERMINALS.
- USE ITEM 34, WHEN CRIMPING MALE TERMINALS.
- USE ITEM 261, WHEN CRIMPING FEMALE TERMINALS.
- TERMINAL LUBRICANT IS RECOMMENDED.
- UNLESS SPECIFIED OTHERWISE TORQUE VALUES SHALL BE USED PER DOCUMENT, 101-35000.
- THIS APPLICATOR IS EQUIPPED WITH THE DOUBLE ACTING FEED WITH SENSORS AND IS APPLICATION SPECIFIC. IT DOES NOT REQUIRE ITEM 49 & 151.

ENTRY LEVEL APPLICATOR		ITEM SUBSTITUTION LIST		
PART NUMBER	SAME AS	ITEM	ITEM DESCRIPTION	SUBSTITUTE PART NUMBER
8-2151539-1	2151539-1	1	WIRE CRIMPER	5-1803529-2
8-2151539-2	2151539-2	3	INSULATION CRIMPER	2-1803623-1
9-2151539-1	2-2151539-1	46	BASIC SUB -ASSEMBLY	1803940-9
9-2151539-2	2-2151539-2	141	BASIC SUB -ASSEMBLY	1-1803940-0
			LUBRICATOR	DELETE

***WARNING**
ON INSTALLATION, SET WIRE DISC TO CRIMP HEIGHT REFERENCE SETTING FOR LARGEST WIRE SIZE. CRIMP HEIGHT REFERENCE SETTINGS GREATER THAN THE VALUE SHOWN MAY CAUSE DAMAGE TO THE CRIMP TOOLING, REFER TO THE INSTRUCTION SHEET FOR PROPER SETUP AND ADJUSTMENTS.

PACIFIC VERSION
Shown on sheets 3 of 4 & 4 of 4
(Atlantic version shown on sheets 1 of 4 & 2 of 4)

LOC	DIST	REVISIONS					
A	66	P	LTN	DESCRIPTION	DATE	OWN	APVD
-	-	-	-	SEE SHEET 1	-	-	-

-	1	1	1	22278-9	SPRING, COMPRESSION	300
-	2	2	2	4-18032-3	SCR, SET, FLT PNT, M3 X 6.0	299
-	1	1	1	3-1803945-1	TONKER	298
-	1	1	1	1803944-1	SPACER, TONKER	297
-	1	-	-	2844950-1	AIR FEED MODULE	290
7	1	1	1	3-1752356-3	SUPPORT, TERMINAL	261
-	1	1	1	2119082-7	CAM, SNAIL, INSULATION ADJUSTMENT	244
-	1	1	1	2079764-1	WASHER, WAVE SPRING, CREST-TO-CREST	243
3	1	1	1	2119083-1	RETAINER, INSULATION DIAL	242
-	1	1	1	7-18023-7	SCR, SKT HD CAP M3 X 4.0	241
-	-	-	1	2119580-1	MECHANICAL FEED ASSEMBLY	239
-	-	1	-	2844940-1	AIR FEED MODULE	238
-	REF	REF	REF	994970-2	COUNTER, MAGNETIC	164
-	-	1	-	2119641-2	FEED CAM, AIR FEED	151
10	1	1	1	2168083-8	SCR, SKT HD CAP, RoHS, M4 X 16	144
-	4	4	4	2168083-9	SCR, SKT HD CAP, RoHS, M4 X 20	143
-	-	-	1	2119653-2	FEED CAM, POST FEED	142
-	1	1	1	1-1803583-0	APPLICATOR BASIC ASSEMBLY, SF	141
-	1	1	1	1803516-1	RAM ASSEMBLY, SF PACIFIC	140
-	1	1	1	1-22281-8	SPRING, COMPRESSION	121
8	1	1	1	2119955-1	ASSY, LUBRICATOR, SIDE FEED	113
-	1	1	1	2844908-1	SCREW, LOCKING	99
-	1	1	1	2844907-1	POST, LOCKING	98
-	1	1	1	2-690438-2	FRONT STRIP GUIDE	96
-	2	2	2	2168083-1	SCR, SKT HD CAP, RoHS, M3 X 8.0	95
-	1	1	1	2168083-6	SCR, SKT HD CAP, RoHS, M5 X 65	93
-	1	1	1	455888-8	SPACER, CRIMPER	82
-	1	1	1	1803607-3	DOCUMENTATION PACKAGE	71
-	1	1	1	2119791-5	DEPRESSOR, WIRE	70
-	1	1	1	2119740-1	TAG, IDENTIFICATION	67
-	2	2	2	2168078-1	SCREW, DRIVE, RH, RoHS, 2 x .188	66
-	2	2	2	2-18032-5	SCR, SET, FLT PNT, M5 X 20.0	61
-	1	1	1	5-18022-5	SCR, HEX HD CAP, M4 X 6.0	59
-	1	1	1	1338685-1	PAWL, FEED	56
10	2	2	2	2168083-3	SCR, SKT HD CAP, RoHS, M4 X 12.0	53
-	-	1	2	18023-9	SCR, SKT HD CAP M4 X 6.0	49
-	-	-	1	2119652-1	FEED CAM, PRE FEED	48
-	1	1	1	1803602-1	SCR, BHSC, RoHS (M8 X 25)	41
6	1	1	1	1752356-1	SUPPORT, TERMINAL	34
-	2	2	2	2079383-5	SCR, BHSC, RoHS (M4 X 20)	33
-	2	2	2	2-2844962-4	SPACER, CYLINDRICAL, STRIP GUIDE	30
-	1	1	1	2844938-5	PLATE, STRIP GUIDE	29
-	2	2	2	22281-8	SPRING, COMPRESSION	27
-	1	1	1	356835-1	LEVER, DRAG RELEASE	26
-	1	1	1	217233-1	DRAG, STOCK	25
-	1	1	1	1320928-6	STRIP GUIDE	24
-	1	1	1	980371-4	SCR, SKT HD SHLDR 5.0 DIA X 6.0	23
-	1	1	1	2168083-2	SCR, SKT HD CAP, RoHS, M4 X 8.0	21
-	2	2	2	1-18028-2	WASHER, FLAT, REG M4	20
-	1	1	1	2119533-1	STRIPPER, SIDE FEED	19
1	1	1	1	2119806-1	INSERT, SHEAR	13
-	1	1	1	3-22280-3	SPRING, COMPRESSION	12
-	1	1	1	1-356885-4	STOP, SHEAR	11
1	1	1	1	2119805-1	SHEAR HOLDER, FRONT	10
1	1	1	1	318707-1	FLOATING SHEAR, FRONT	9
1	1	1	1	6-1803763-7	COMBINATION, ANVIL	8
-	-	-	-	-	-	7
-	-	-	-	-	-	6
-	1	1	1	2119757-8	DEPRESSOR, SHEAR	5
-	1	1	1	3-238011-5	BLOCK, CRIMPER SPACER	4
1	1	1	1	2-1633989-1	CRIMPER, INSULATION, SPECIAL	3
-	1	1	1	455888-1	SPACER, CRIMPER	2
1	1	1	1	5-562108-2	CRIMPER, WIRE, F	1

DIMENSIONS:		TOLERANCES UNLESS OTHERWISE SPECIFIED:		DRAWING NO	
mm	0 PLC ±	1 PLC ±	2 PLC ±	3 PLC ±	4 PLC ±
	ANGLES ±	FINISH			
MATERIAL		FINISH		WEIGHT	
				A1 00779	
				Customer Accessible Production Drawing	

STE TE Connectivity
Harrisburg, PA 17105-3608

Ocean Side Feed Applicator

SIZE: A1 CAGE CODE: 00779 DRAWING NO: 2151539

RESTRICTED TO: Y

LOC	DIST	REVISIONS			
A	66	REV	DATE	BY	APPV
		1			
		2			
		3			
		4			
		5			
		6			
		7			
		8			
		9			
		10			
		11			
		12			
		13			
		14			
		15			
		16			
		17			
		18			
		19			
		20			
		21			
		22			
		23			
		24			
		25			
		26			
		27			
		28			
		29			
		30			
		31			
		32			
		33			
		34			
		35			
		36			
		37			
		38			
		39			
		40			
		41			
		42			
		43			
		44			
		45			
		46			
		47			
		48			
		49			
		50			
		51			
		52			
		53			
		54			
		55			
		56			
		57			
		58			
		59			
		60			
		61			
		62			
		63			
		64			
		65			
		66			
		67			
		68			
		69			
		70			
		71			
		72			
		73			
		74			
		75			
		76			
		77			
		78			
		79			
		80			
		81			
		82			
		83			
		84			
		85			
		86			
		87			
		88			
		89			
		90			
		91			
		92			
		93			
		94			
		95			
		96			
		97			
		98			
		99			
		100			
		101			
		102			
		103			
		104			
		105			
		106			
		107			
		108			
		109			
		110			
		111			
		112			
		113			
		114			
		115			
		116			
		117			
		118			
		119			
		120			
		121			
		122			
		123			
		124			
		125			
		126			
		127			
		128			
		129			
		130			
		131			
		132			
		133			
		134			
		135			
		136			
		137			
		138			
		139			
		140			
		141			
		142			
		143			
		144			
		145			
		146			
		147			
		148			
		149			
		150			
		151			
		152			
		153			
		154			
		155			
		156			
		157			
		158			
		159			
		160			
		161			
		162			
		163			
		164			
		165			
		166			
		167			
		168			
		169			
		170			
		171			
		172			
		173			
		174			
		175			
		176			
		177			
		178			
		179			
		180			
		181			
		182			
		183			
		184			
		185			
		186			
		187			
		188			
		189			
		190			
		191			
		192			
		193			
		194			
		195			
		196			
		197			
		198			
		199			
		200			
		201			
		202			
		203			
		204			
		205			
		206			
		207			
		208			
		209			
		210			
		211			
		212			
		213			
		214			
		215			
		216			
		217			
		218			
		219			
		220			
		221			
		222			
		223			
		224			
		225			
		226			
		227			
		228			
		229			
		230			
		231			
		232			
		233			
		234			
		235			
		236			
		237			
		238			
		239			
		240			
		241			
		242			
		243			
		244			
		245			
		246			
		247			
		248			
		249			
		250			
		251			
		252			
		253			
		254			
		255			
		256			
		257			
		258			
		259			
		260			
		261			
		262			
		263			
		264			
		265			
		266			
		267			
		268			
		269			
		270			
		271			
		272			
		273			
		274			
		275			
		276			
		277			
		278			
		279			
		280			
		281			
		282			
		283			
		284			
		285			
		286			
		287			
		288			
		289			
		290			
		291			
		292			
		293			
		294			
		295			
		296			
		297			
		298			
		299			
		300			