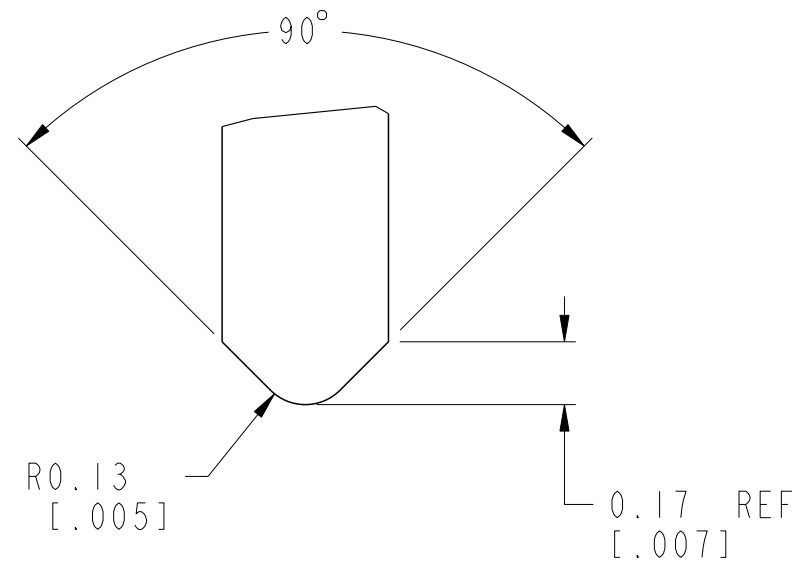
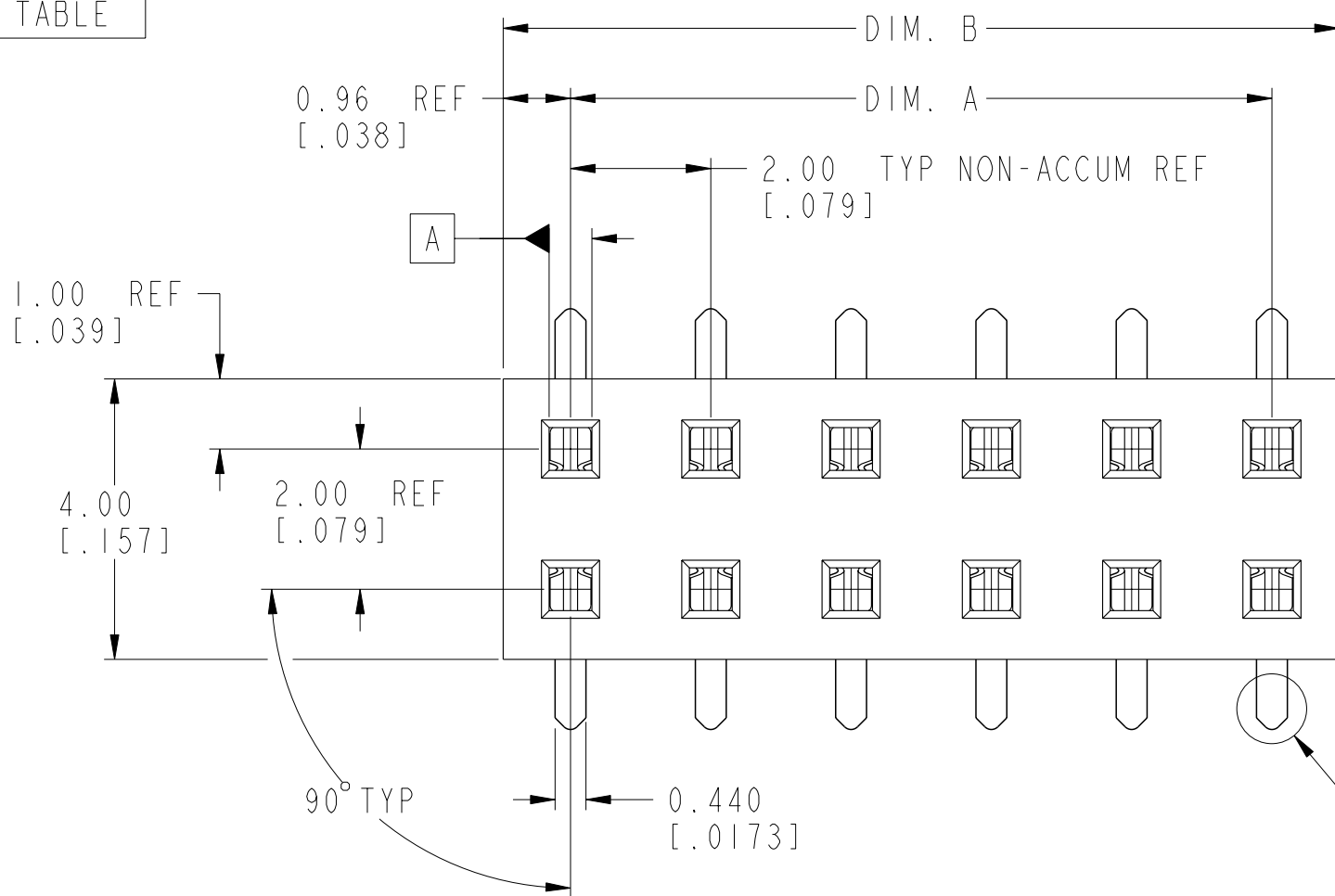
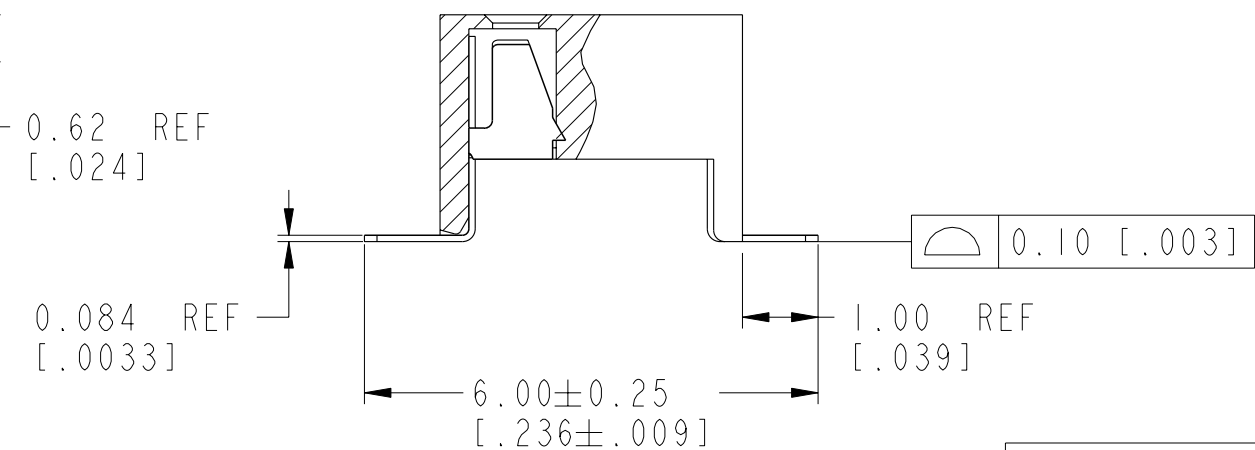


PRODUCT NO
SEE TABLE



DETAIL A
SEE NOTE 4



CONFIDENTIAL

www.fciconnect.com			surface ISO 1302	tolerance std ISO 406 ISO 1101	projection MM/INCH
			TOLERANCES UNLESS OTHERWISE SPECIFIED		
Dr	BS LOW	2000-01-06	ANGULAR	x.xx/.xx	±0.3/.01
Eng	JPEH	2000-01-06	LINEAR	x.xx/.xxx	±0.13/.005
Chr	KH LEE	2010-03-04	0° ±2°	x.xxx/.xxxx	±0.051/.0020
Appr	JOEY NG	2010-03-04	Product family		LPVCC
			size		A3
			Scale		10:1
			ECN		S10-0207
			Spec ref		-
			dwg no		91802
			Rev.		P
			CUSTOMER		sheet 1 of 3

rev	ecn no	dr	date
L	S40317	BSL	1994-12-20
M	S80115	BSL	1998-05-14
N	V94400	BSL	1999-12-01
P	S10-0207	PR	2010-03-04
-	-	-	-
-	-	-	-
-	-	-	-

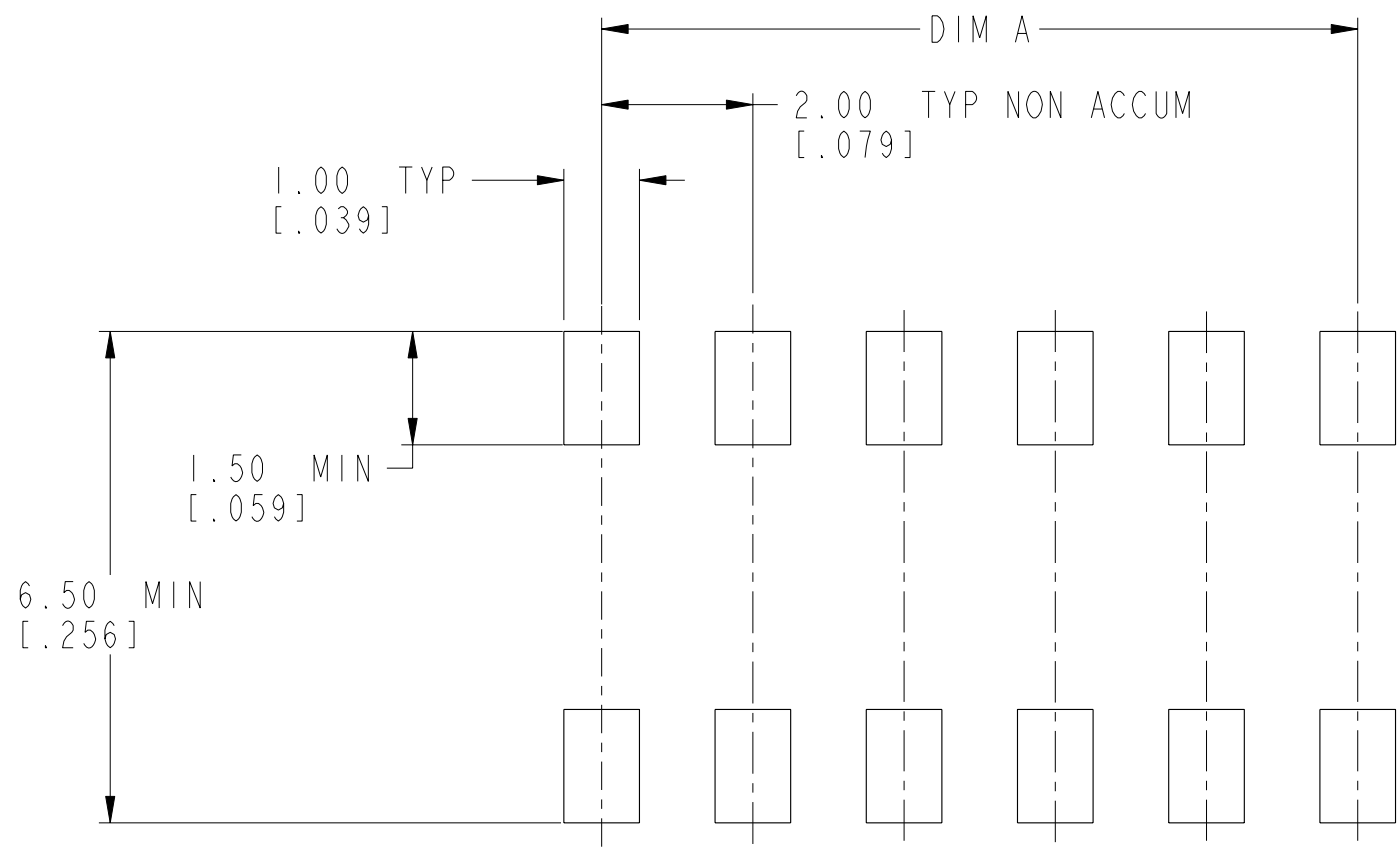


LOW PROFILE VCC
TOP ENTRY SMT 3.00 ASSY

Copyright FCI.

PRODUCT NO	POSITIONS	DIM. A	DIM. B
91802-X04	2 X 2	2.00 / .079	3.92 / .154
-X06	2 X 3	4.00 / .158	5.92 / .233
-X08	2 X 4	6.00 / .236	7.92 / .312
-X10	2 X 5	8.00 / .315	9.92 / .391
-X12	2 X 6	10.00 / .394	11.92 / .469
-X14	2 X 7	12.00 / .472	13.92 / .548
-X16	2 X 8	14.00 / .551	15.92 / .627
-X18	2 X 9	16.00 / .630	17.92 / .706
-X20	2 X 10	18.00 / .709	19.92 / .784
-X22	2 X 11	20.00 / .787	21.92 / .863
-X24	2 X 12	22.00 / .866	23.92 / .942
-X26	2 X 13	24.00 / .945	25.92 / 1.020
-X28	2 X 14	26.00 / 1.024	27.92 / 1.099
-X30	2 X 15	28.00 / 1.102	29.92 / 1.178

PLATING OPTIONS OVER CONTACT AREA
0 = 0.2μm/8μ" Au
1 = 0.76μm/30μ" Au
3 = 0.38μm/15μ" Au



RECOMMENDED PAD LAYOUT

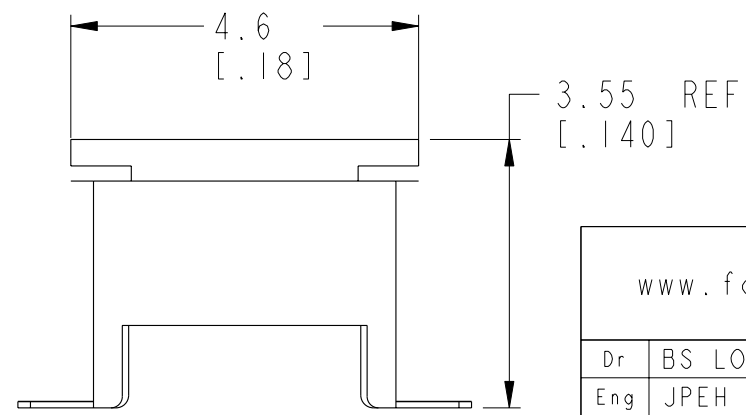
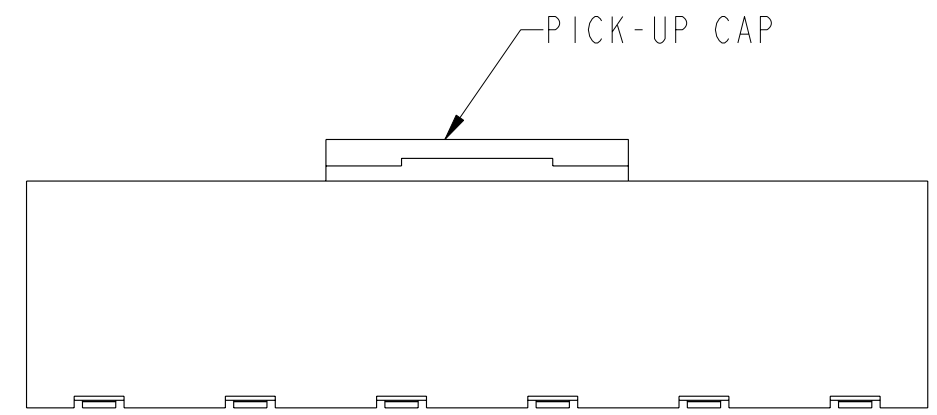


FIG. 1
NOTE 7 (b) & (d)

www.fciconnect.com			surface ISO 1302	tolerance std ISO 406 ISO 1101	projection MM/INCH	CONFIDENTIAL	
TOLERANCES UNLESS OTHERWISE SPECIFIED				size A3		Scale 10:1	
Dr	BS LOW	2000-01-06	ANGULAR	x.xx	±0.3/.01	ECN S10-0207	
Eng	JPEH	2000-01-06	LINEAR	x.xx/.xxx	±0.13/.005	Spec ref -	
Chr	KH LEE	2010-03-04	0° ±2°	x.xxx/.xxxx	±0.051/.0020	-	
Appr	JOEY NG	2010-03-04	Product family LPVCC		-		
FCi			LOW PROFILE VCC		dwg no 91802		Rev. P
			TOP ENTRY SMT 3.00 ASSY		CUSTOMER		sheet 2 of 3
			catalog no -				

NOTES:

- 1. HOUSING MATERIAL : HIGH TEMP PLASTIC.
- 2. TERMINAL MATERIAL :BeCu.
- 3. TERMINAL RETENTION 0.5Kg/1.1 Lbs.
- 4. 'V' CUT OPTIONAL - MANUFACTURING PROCESS OPTION.
- 5. SOLDER TAILS ARE TIN/LEAD PLATED.

6. PRODUCT DESCRIPTION CODE :

XXXXX-X XX



- 7. PACKAGING:
 - (a) XXXXX-XXX --- STD PACKAGING IN TUBE.
 - (b) XXXXX-XXXTR --- TAPE AND REEL (CONDUCTIVE) PACKAGING WITH PICK-UP CAP (SEE FIG 1).
 - (c) XXXXX-XXXTRN --- TAPE AND REEL (CONDUCTIVE) PACKAGING WITHOUT PICK-UP CAP.
 - (d) XXXXX-XXXCR --- TAPE AND REEL (NON-CONDUCTIVE) PACKAGING WITH PICK-UP CAP (SEE FIG 1).
 - (e) XXXXX-XXXCRN --- TAPE AND REEL (NON-CONDUCTIVE) PACKAGING WITHOUT PICK-UP CAP.

8. A SYMBOL WILL BE NEXT TO ANY DIMENSION, VIEW OR NOTE WHICH HAS BEEN MODIFIED WITH THE CURRENT DRAWING REVISION.

CONFIDENTIAL

www.fciconnect.com			surface <input checked="" type="checkbox"/> ISO 1302	tolerance std ISO 406 ISO 1101	projection 	MM / INCH
TOLERANCES UNLESS OTHERWISE SPECIFIED						
Dr	BS LOW	2000-01-06	ANGULAR	LINEAR	x.x/.xx	±0.3/.01
Eng	JPEH	2000-01-06			x.xx/.xxx	±0.13/.005
Chr	KH LEE	2010-03-04	0°	±2°	x.xxx/.xxxx	±0.051/.0020
Appr	JOEY NG	2010-03-04	Product family		LPVCC	Spec ref -
			title		LOW PROFILE VCC	dwg no
					TOP ENTRY SMT 3.00 ASSY	91802
			catalog no		-	Rev. P
			CUSTOMER		sheet 3 of 3	