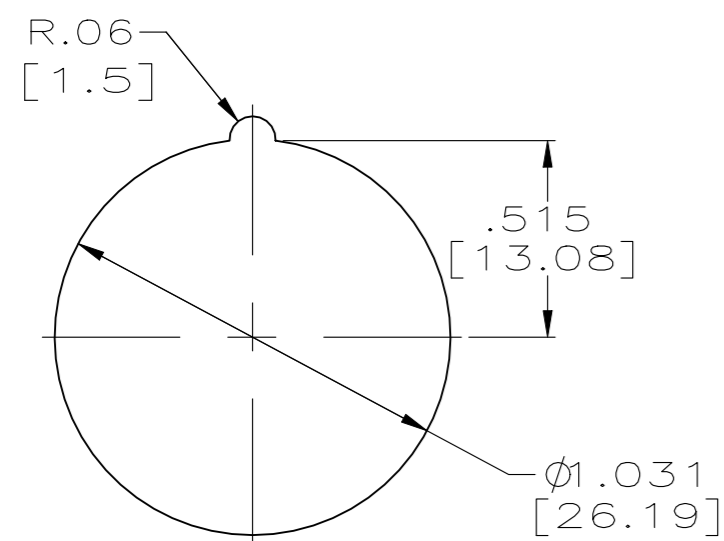
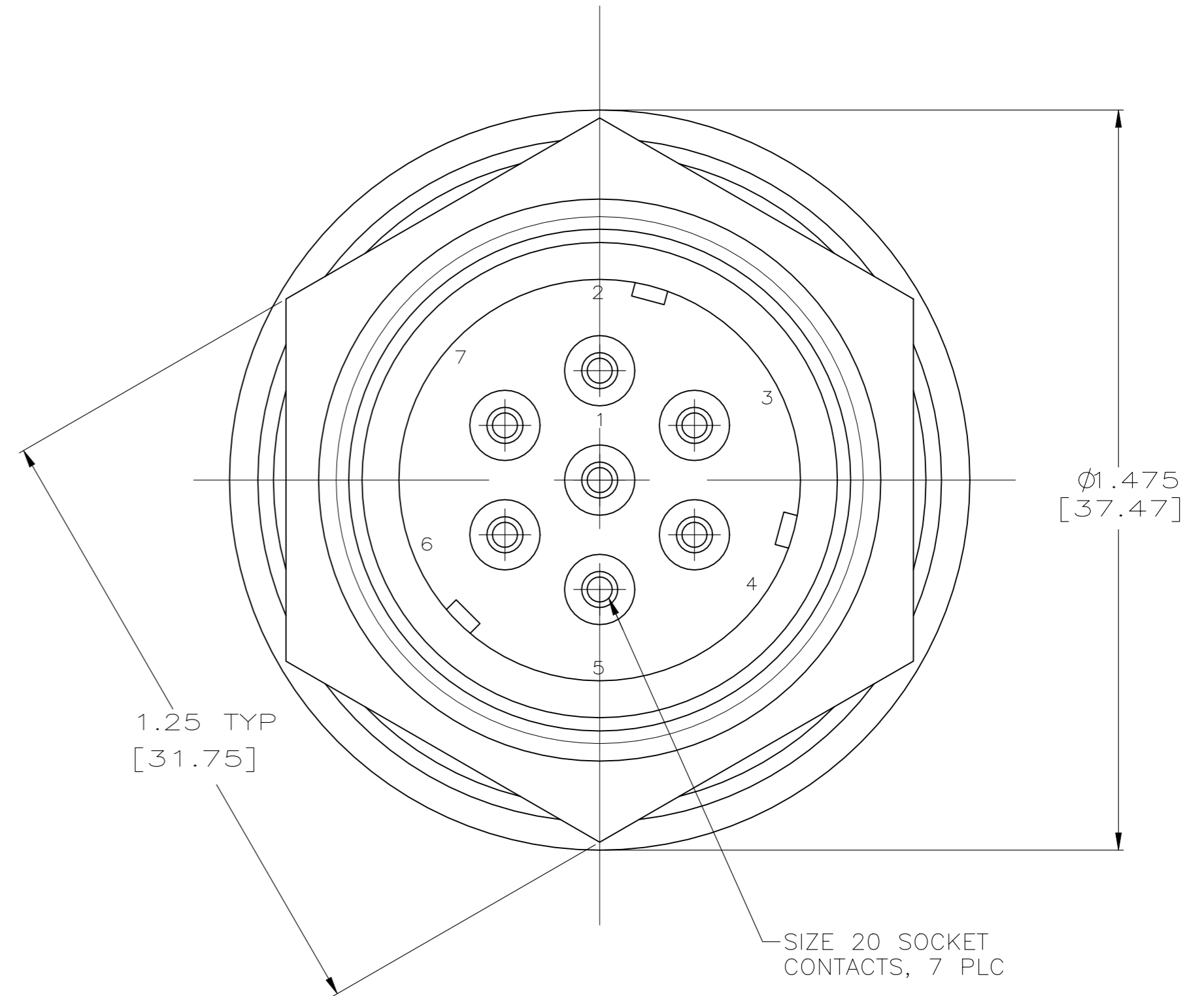
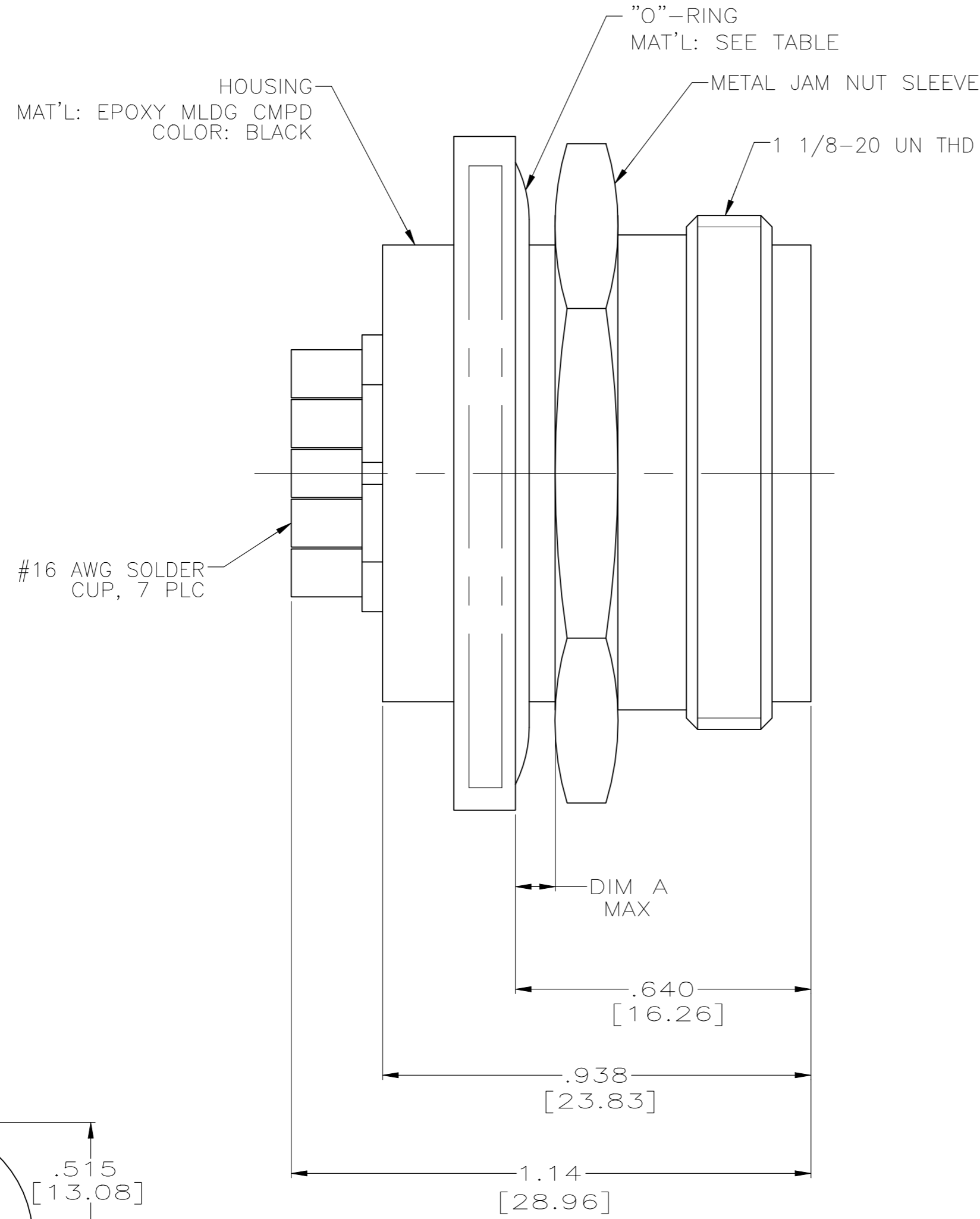


REVISIONS					
P	LTR	DESCRIPTION	DATE	DWN	APVD
H		REV PER ECO 21-004890	5-3-21	CT	DM



RECOMMENDED PANEL CUTOUT
SCALE 2:1

1. THIS RECEPTACLE IS NOT HERMETICALLY SEALED.
2. MARKED PER MIL-STD-130.

FLUORO RUBBER	.125 [3.18]	862004-4
SILICONE	.060 [1.52]	862004-3
SILICONE	.125 [3.18]	862004-1
O-RING MATERIAL	DIM A MAX PANEL THICKNESS	PART NUMBER

THIS DRAWING IS A CONTROLLED DOCUMENT.		DWN C.C.THOMAS 7-19-96																				
DIMENSIONS: INCHES [mm]		CHK S.GLATFELTER 8-13-96																				
TOLERANCES UNLESS OTHERWISE SPECIFIED:		APVD S.GLATFELTER 8-13-96	NAME 7 PIN MINIATURE RCPT KIT,LGH																			
<table border="1"> <tr><td>0 PLC</td><td>±</td><td>-</td></tr> <tr><td>1 PLC</td><td>±</td><td>-</td></tr> <tr><td>2 PLC</td><td>±</td><td>.01 [0.3]</td></tr> <tr><td>3 PLC</td><td>±</td><td>.010 [0.25]</td></tr> <tr><td>4 PLC</td><td>±</td><td>-</td></tr> <tr><td>ANGLES</td><td>±</td><td>-</td></tr> </table>		0 PLC	±	-	1 PLC	±	-	2 PLC	±	.01 [0.3]	3 PLC	±	.010 [0.25]	4 PLC	±	-	ANGLES	±	-	PRODUCT SPEC -	RESTRICTED TO -	
0 PLC	±	-																				
1 PLC	±	-																				
2 PLC	±	.01 [0.3]																				
3 PLC	±	.010 [0.25]																				
4 PLC	±	-																				
ANGLES	±	-																				
MATERIAL SEE CALLOUTS		FINISH SEE CALLOUTS	WEIGHT 0.000000	SIZE A2																		
CUSTOMER DRAWING		SCALE 4:1	CAGE CODE 00779	DRAWING NO C=862004																		
		SHEET 1 OF 1	REV H																			