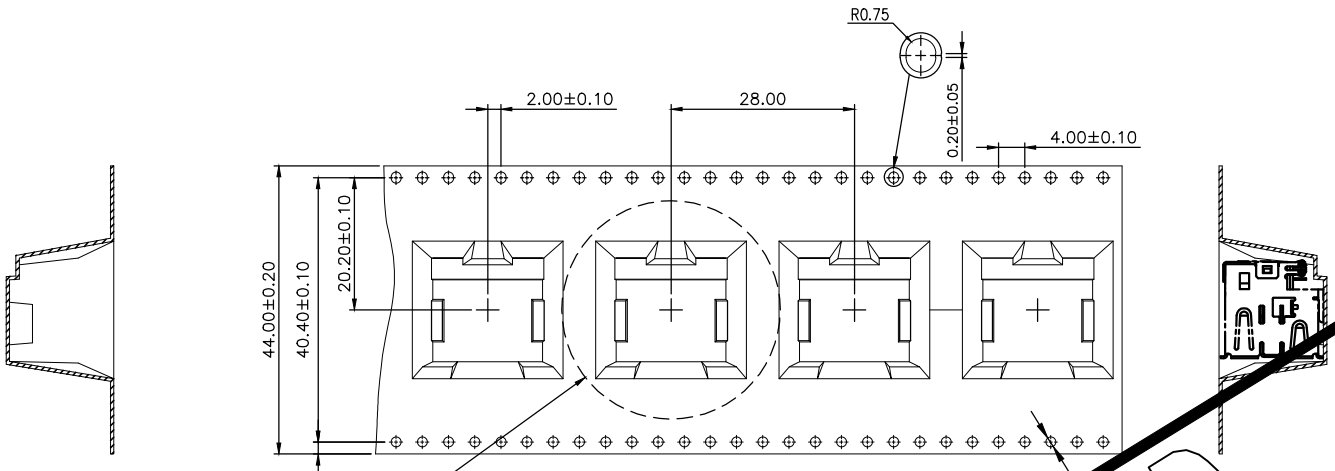


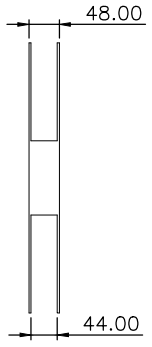
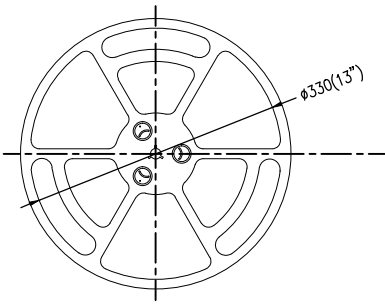
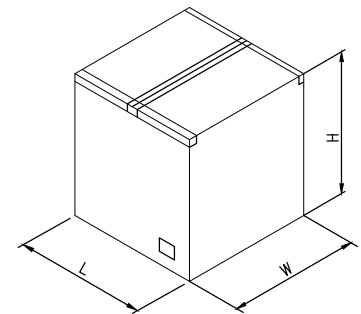
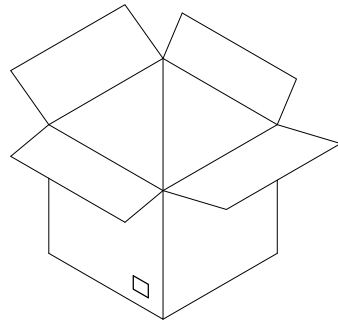
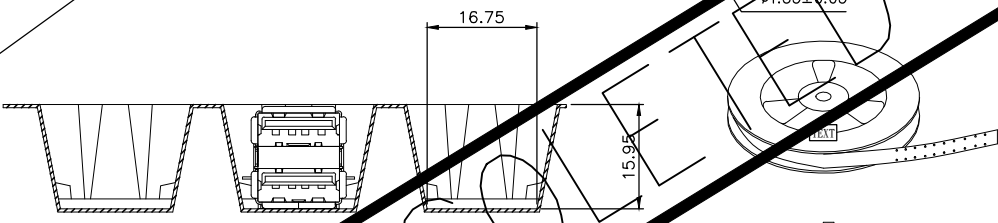
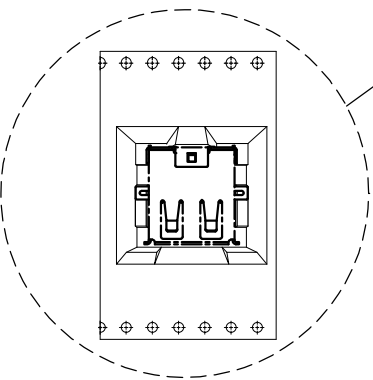
THIS DRAWING IS UNPUBLISHED. RELEASED FOR PUBLICATION AUG , 2006.

© COPYRIGHT - BY TYCO ELECTRONICS CORPORATION. ALL RIGHTS RESERVED.

LOC	DIST	REVISIONS					
DW		P	LTR	DESCRIPTION	DATE	DWN	APVD
				SEE SHEET 1.			



- NOTES:
- MATERIAL:
REEL: PS
EMBOSSED CARRIER: PS
COVER TAPE: PBT
 - DIMENSION:
TAPE REEL: $\phi 330\text{mm} \times 37.1\text{mm}$
SHIPPING CARTON: L=350mm W=350mm H=350mm
 - QUANTITY:
PRIMARY PACKING: 150 PCS/REEL
SECONDARY PACKING: 7 REELS CARTON(1,050PCS)
 - WEIGHT:
NET WEIGHT: 0.60KG/REEL, 4.2KG/SHIPPING CARTON.
GROSS WEIGHT: 0.75KG/REEL, 5.3KG/SHIPPING CARTON.
 - PEELING RESISTANCE: 16gf TO 102gf.
 - PEELING SPEED: 300MM/MIN.



OBSOLETE

THIS DRAWING IS A CONTROLLED DOCUMENT.		DWN _____		TE TE Connectivity	
DIMENSIONS: MM		CHK _____			
TOLERANCES UNLESS OTHERWISE SPECIFIED: 0 PLC ± - 1 PLC ± - 2 PLC ± - 3 PLC ± - 4 PLC ± - ANGLES ± - MATERIAL _____ FINISH _____		APVD _____		NAME _____	
		PRODUCT SPEC _____		SIZE A3	
		APPLICATION SPEC _____		CAGE CODE 00779	
		WEIGHT _____		DRAWING NO C=1775462	
		CUSTOMER DRAWING		RESTRICTED TO _____	
		SCALE _____		SHEET 2 OF 2	
				REV A2	