

## DIN-Signal C096FP-4,5C1-2-NFF



Image is for illustration purposes only. Please refer to product description.

Part number	09 03 296 6850 222
Specification	DIN-Signal C096FP-4,5C1-2-NFF
HARTING eCatalogue	<a href="https://b2b.harting.com/09032966850222">https://b2b.harting.com/09032966850222</a>

### Identification

Category	Connectors
Series	DIN 41612
Identification	Type C
Element	Female connector
Description of the contact	Straight
Features	lead-free

### Version

Termination method	Press-in termination
Connection type	Motherboard to daughtercard Mezzanine
Number of contacts	96
Contact configuration	Rows a, b and c, positions 1, 2, ... , 31, 32
Termination length	4.5 mm
Coding	Coding with loss of contacts
PCB fixing	With fixing flange

### Technical characteristics

Contact rows	3
Contact spacing (termination side)	2.54 mm
Contact spacing (mating side)	2.54 mm
Rated current	2 A
Rated current	Rated current measured at 20 °C, see derating curve for details



**Pushing Performance**  
 Since 1945

## Technical characteristics

Clearance distance	≥1.2 mm
Creepage distance	≥1.2 mm
Insulation resistance	>10 <sup>11</sup> Ω
Contact resistance	≤20 mΩ
Limiting temperature	-40 ... +105 °C upper limiting temperature limited by the pcb
Insertion and withdrawal force	≤90 N
Performance level	2 acc. to IEC 60603-2
Mating cycles	≥400
Test voltage U <sub>r.m.s.</sub>	1 kV
Isolation group	II (400 ≤ CTI < 600)
PCB thickness	≥1.6 mm
Hot plugging	No

## Material properties

Material (insert)	Thermoplastic resin, glass-fibre filled
Colour (insert)	RAL 7035 (light grey)
Material (contacts)	Copper alloy
Surface (contacts)	Noble metal over Ni Mating side Ni Termination side
Material flammability class acc. to UL 94	V-0
RoHS	compliant
ELV status	compliant
China RoHS	e
REACH Annex XVII substances	Not contained
REACH ANNEX XIV substances	Not contained
REACH SVHC substances	Not contained
California Proposition 65 substances	Yes
California Proposition 65 substances	Nickel

## Specifications and approvals

Specifications	IEC 60603-2
Railway classification	F1/I2 acc. to NFF 16-101/102



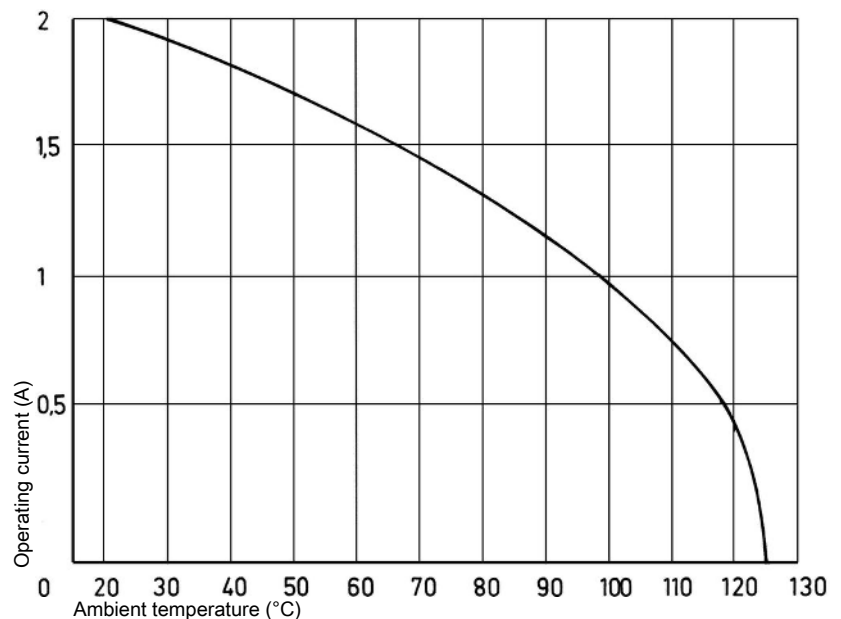
Pushing Performance  
Since 1945

## Commercial data

Packaging size	100
Net weight	15.84 g
Country of origin	Germany
European customs tariff number	85366990
GTIN	5713140007277
eCl@ss	27460201 PCB connector (board connector)

## Current carrying capacity

The current carrying capacity of the connectors is limited by the thermal load capability of the contact element material including the connections and the insulating parts. The derating curve is therefore valid for currents which flow constantly (non-intermittent) through each contact element of the connector evenly, without exceeding the allowed maximum temperature.  
Measuring and testing techniques acc. to IEC 60512-5-2



## Coding with loss of contacts

To avoid cross-plugging of adjacent connectors a coding system is required.

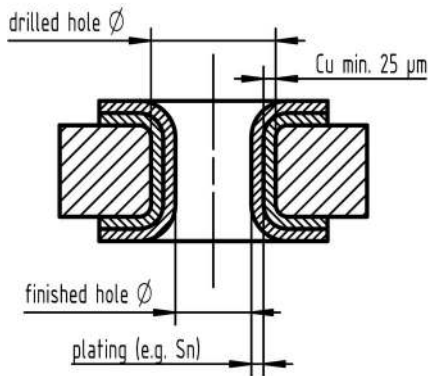
The coding is achieved by means of a code pin which is inserted into the selected chamber of the female connector (the contact cavity must be filled with a female contact!).

The opposite male contact must be removed with the help of the specially designed tool. It's recommended to use a number of code pins in relation to the total number of contacts per connector: 3 pins for 64 contacts, 7 pins for 160 contacts

Coding pin 09 02 000 9901

Removal tool for male contacts 09 99 000 0133

Recommended configuration of plated through holes



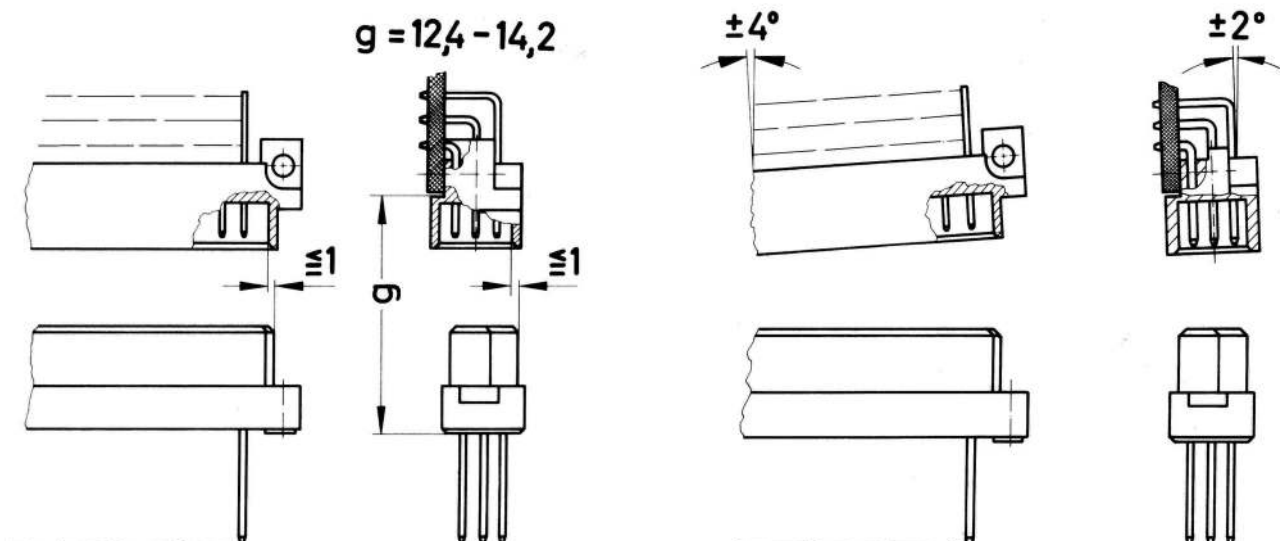
Tin plated PCB (HAL) acc. to EN 60352-5	Drilled hole $\varnothing$	$1,15 \pm 0,025 \text{ mm}$
	Sn	max. $15 \mu m$
	plated hole $\varnothing$	$0,94 - 1,09 \text{ mm}$
Chemical tin plated PCB	Drilled hole $\varnothing$	$1,15 \pm 0,025 \text{ mm}$
	Sn	min. $0,8 \mu m$
Gold /Nickel plated PCB	Drilled hole $\varnothing$	$1,15 \pm 0,025 \text{ mm}$
	Ni	$3 - 7 \mu m$
	Au	$0,05 - 0,12 \mu m$
Silver plated PCB	Drilled hole $\varnothing$	$1,15 \pm 0,025 \text{ mm}$
	Ag	$0,1 - 0,3 \mu m$
Copper plated PCB (OSP)	Drilled hole $\varnothing$	$1,15 \pm 0,025 \text{ mm}$
	plated hole $\varnothing$	$1,00 - 1,10 \text{ mm}$

In addition to the hot-air-level (HAL) other pcb surfaces are getting more important. Due to their different properties, such as mechanical strength and coefficient of friction we recommend the above mentioned configuration of pcb through holes.

Assembly instructions

It is highly recommended to use HARTING press-in tools to ensure a reliable press-in process. Please refer to the catalogue for tools, machines and further information for the press-in process.

Mating conditions



To ensure reliable connections and prevent unnecessary damage, please refer to the application data diagrams. These recommendations are set out in IEC 60603-2. The connectors should not be coupled and decoupled under electrical load.