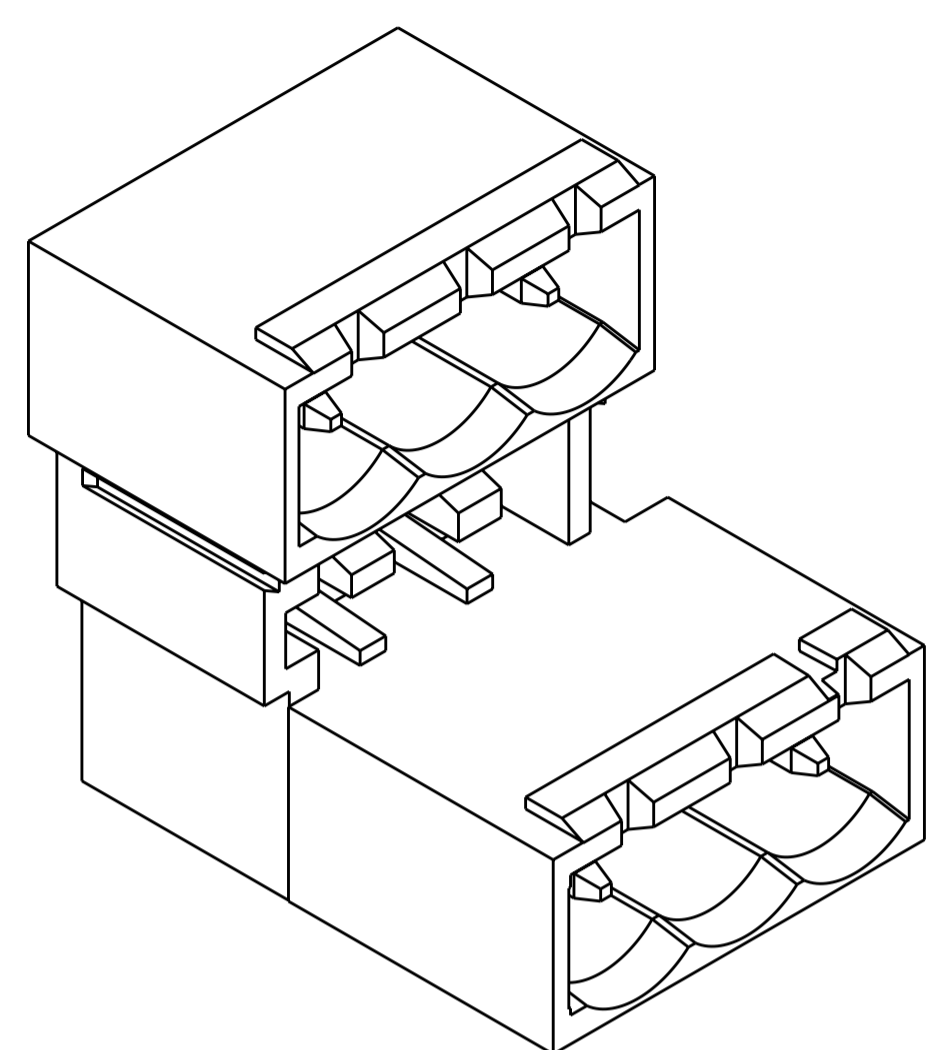
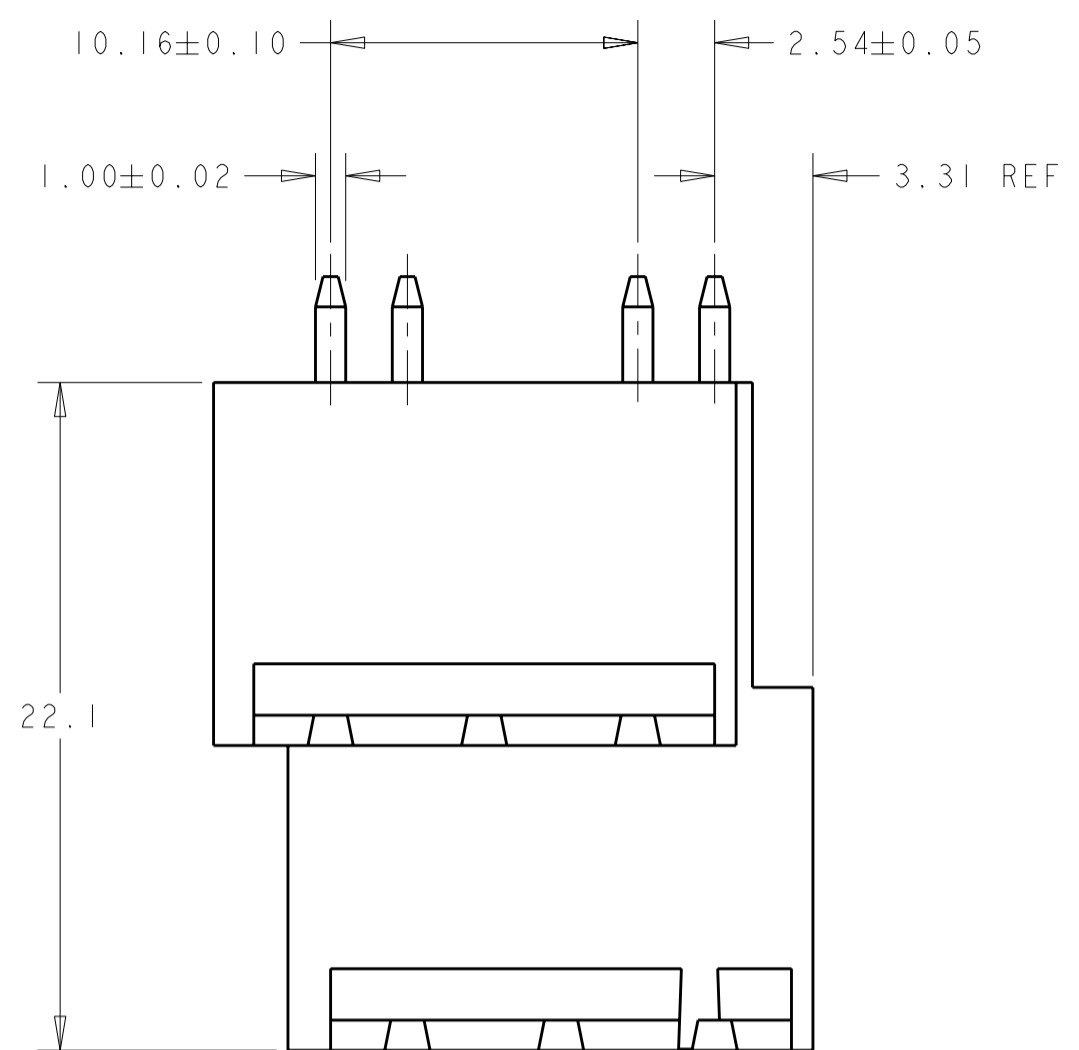


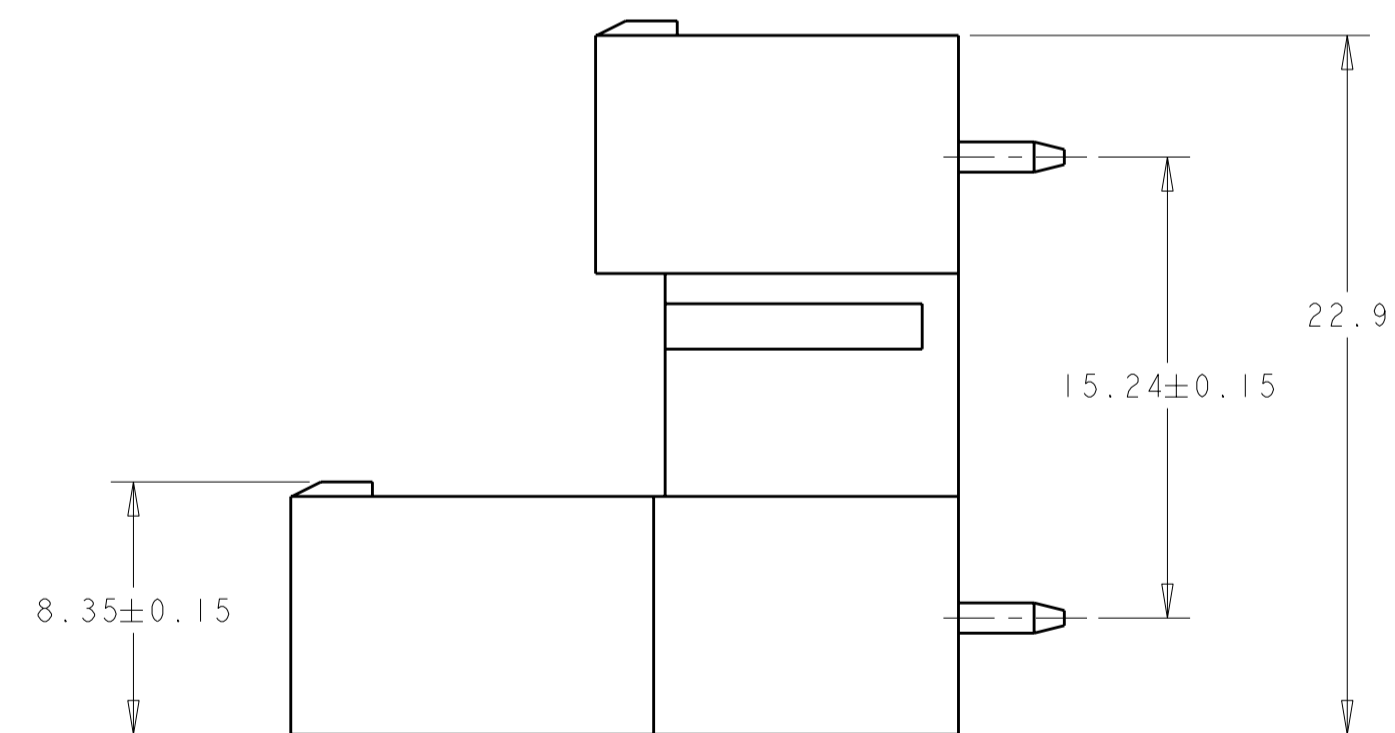
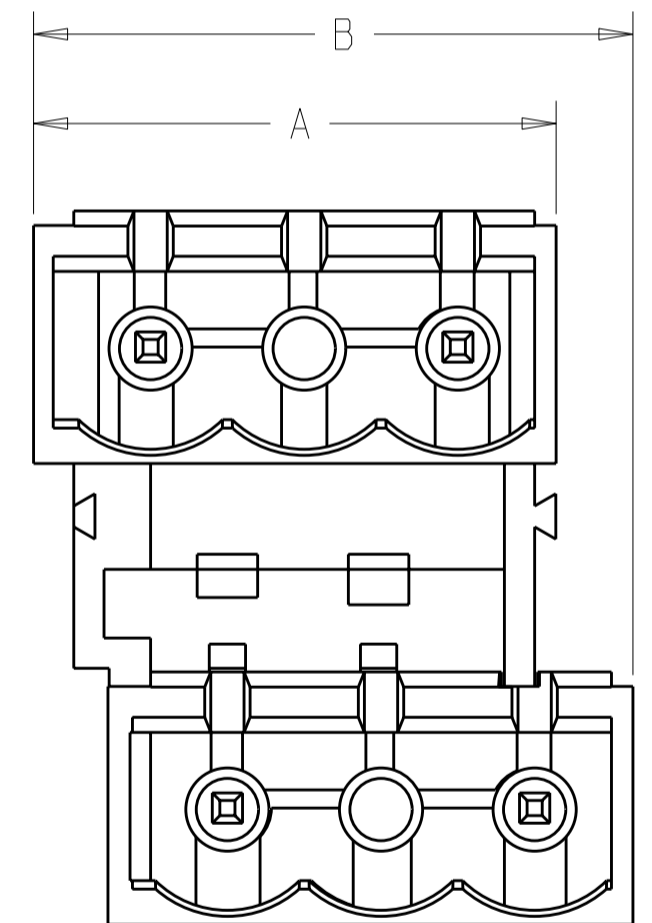
THIS DRAWING IS UNPUBLISHED. RELEASED FOR PUBLICATION 20
 © COPYRIGHT 20 BY - ALL RIGHTS RESERVED.

REVISIONS				DATE	DWN	APVD
P	LTR	DESCRIPTION				
01		REVISED PER ECO-12-007714	25APR2012	KH	MS	

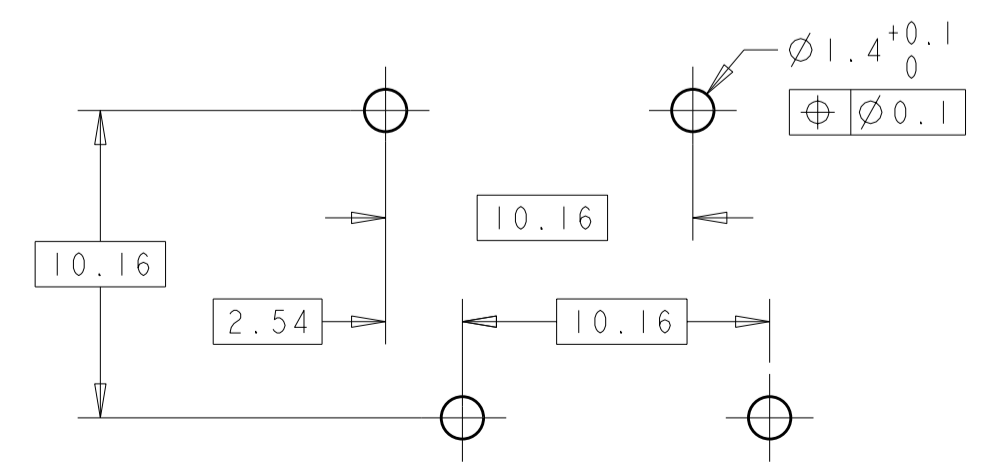


1776169-3 AS SHOWN

1. MATERIALS AND FINISH
 HOUSING: HIGH TEMPERATURE POLYAMIDE, UL 94V-0 RATED, COLOR: BLACK.
 TERMINAL: COPPER ALLOY, TIN PLATED.
2. SUITABLE FOR 1,6-2,4mm PC BOARD THICKNESS.
3. P/N FROM 1776169-4 TO 1776169-8 ARE OBTAINED BY ASSEMBLING 1776169-2 AND 1776169-3 TO ACHIEVE THE DESIRED NUMBER OF POSITIONS.



80.78	78.24	8	1776169-8
70.62	68.08	7	1776169-7
60.46	57.92	6	1776169-6
50.30	47.76	5	1776169-5
40.14	37.60	4	1776169-4
29.98	27.44	3	1776169-3
19.82	17.28	2	1776169-2
B	A	NO OF POSN	PART NUMBER



RECOMMENDED PC BOARD LAYOUT

THIS DRAWING IS A CONTROLLED DOCUMENT.		DWN S.WELDON 01AUG2005	TE Connectivity	
DIMENSIONS: mm		CHK C.RICHARD 01AUG2005		
TOLERANCES UNLESS OTHERWISE SPECIFIED:		APVD C.RICHARD 01AUG2005	NAME TERMINAL BLOCK HEADER ASSEMBLY, MULTIPLE, 180 DEGREE, CLOSED ENDS, 10.16mm PITCH	
0 PLC ±.3		PRODUCT SPEC -	SIZE A2	CAGE CODE C=1776169
1 PLC ±.3		APPLICATION SPEC -	SCALE 4:1	SHEET 1 OF 1
2 PLC ±.25		WEIGHT -	REV 01	
3 PLC ±.		CUSTOMER DRAWING		
4 PLC ±.				
ANGLES ±2				
FINISH				