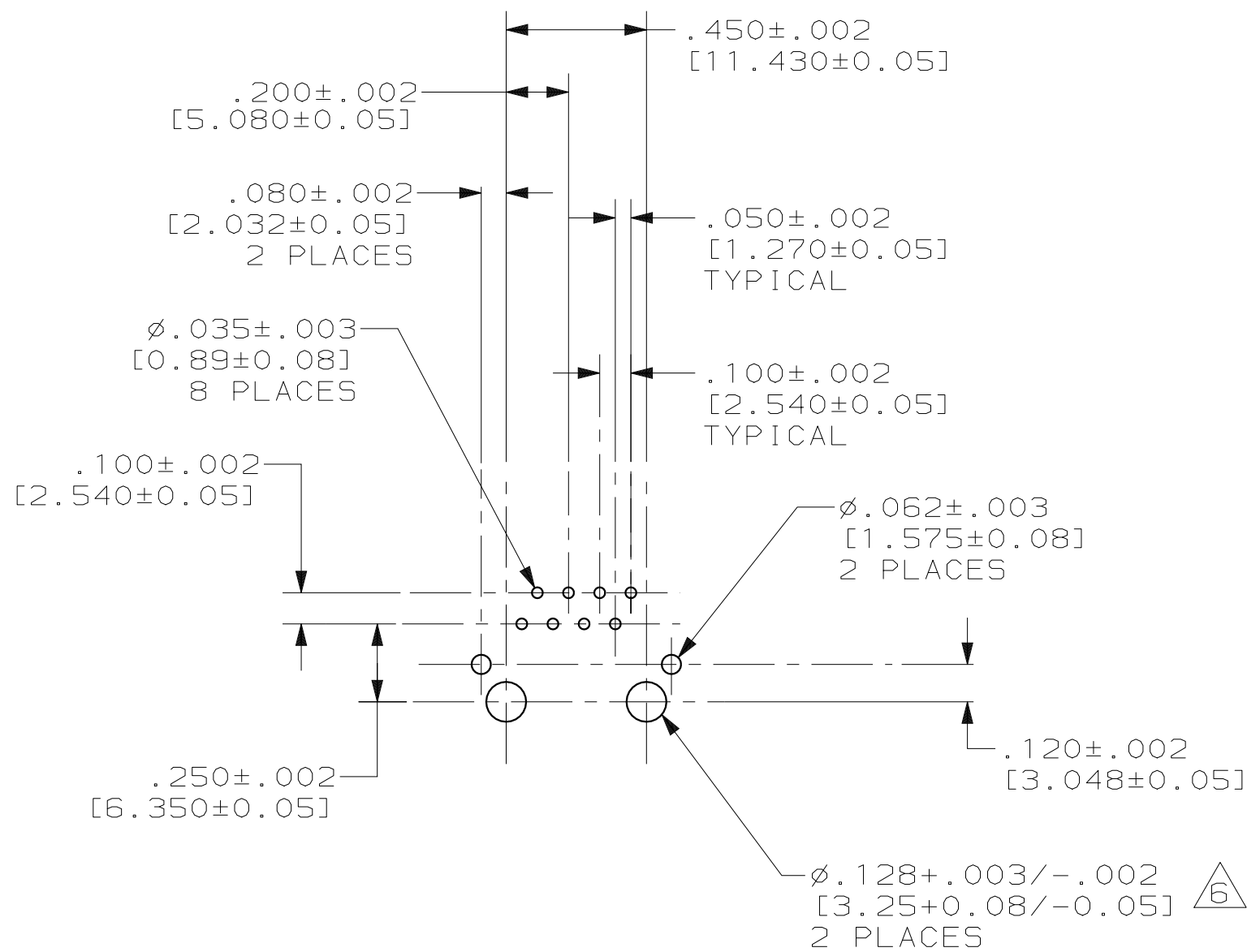
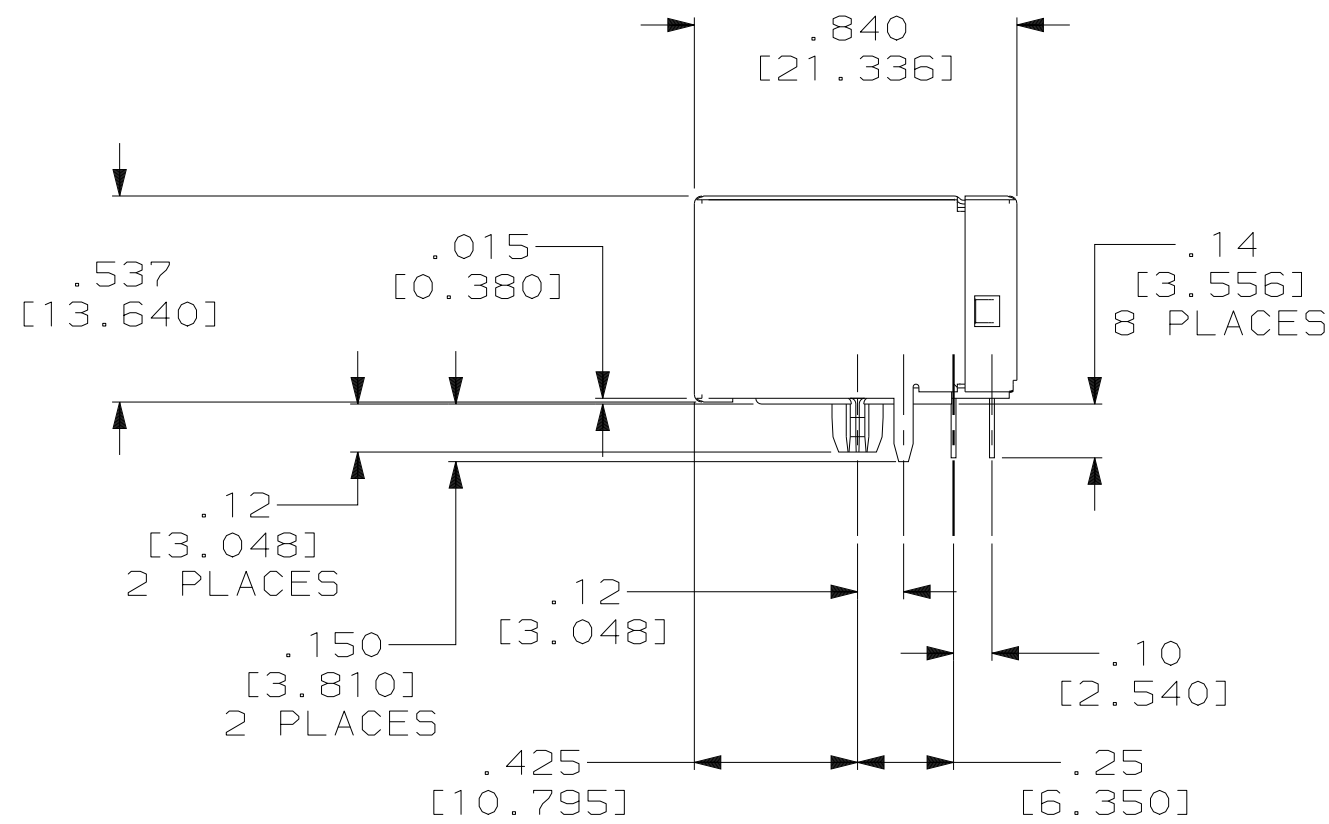
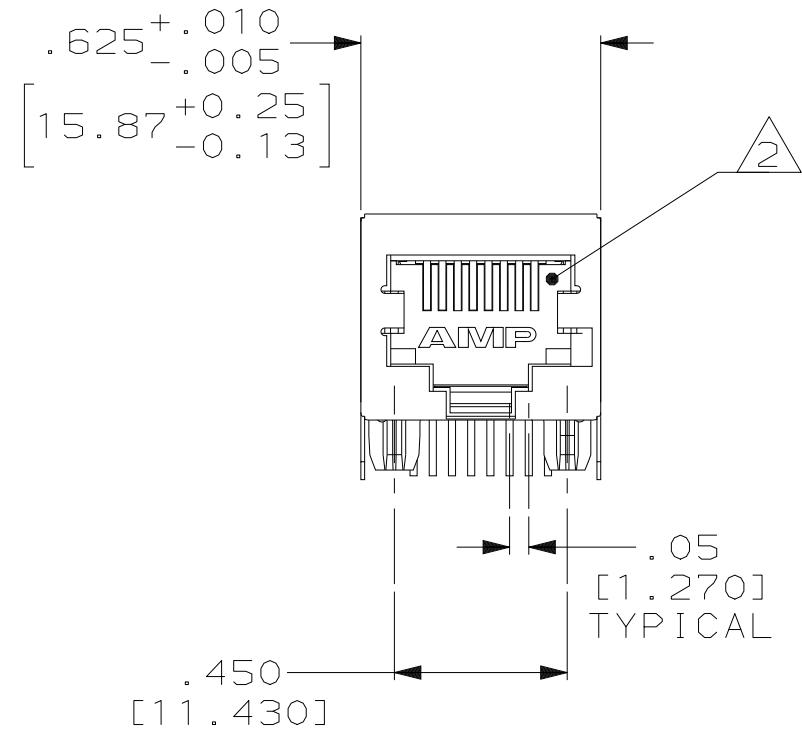
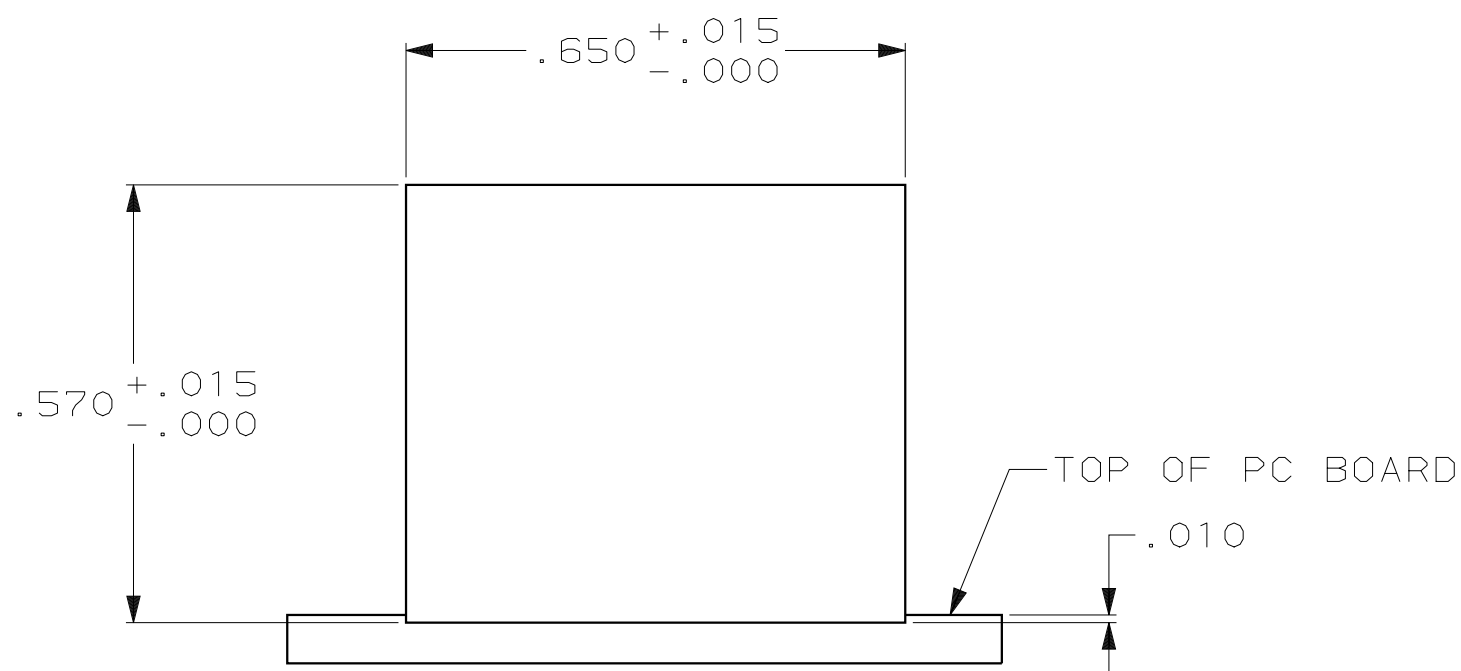


THIS DRAWING IS UNPUBLISHED. RELEASED FOR PUBLICATION
 BY AMP INCORPORATED. ALL RIGHTS RESERVED.

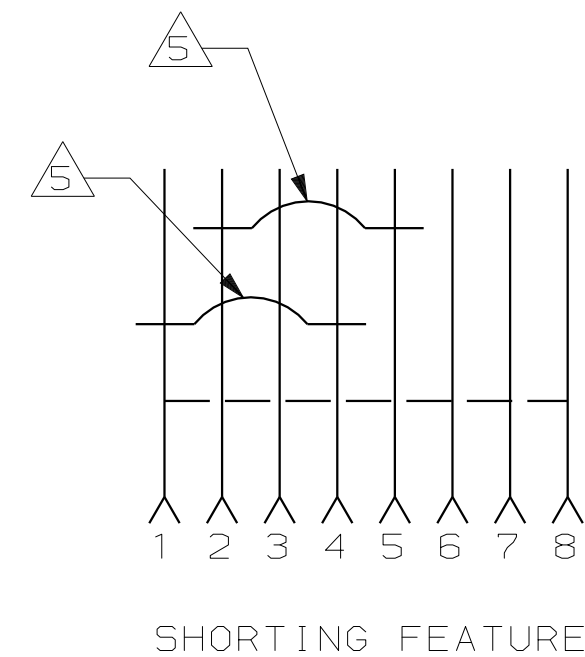
LOC	DIST	REVISIONS			
P	LTR	DESCRIPTION	DATE	DWN	APVD
AA	22	D	REVISED PER EC 0511-0140-03	26AUG03	DLD BDK



SUGGESTED PC BOARD LAYOUT
COMPONENT SIDE



SUGGESTED PANEL CUTOUT
SCALE 4:1



557789-1
PART NUMBER

THIS DRAWING IS A CONTROLLED DOCUMENT FOR AMP INCORPORATED. IT IS SUBJECT TO CHANGE AND THE CONTROLLING ENGINEERING ORGANIZATION SHOULD BE CONTACTED FOR THE LATEST REVISION.		DWN V. SLACK 30SEPT92	AMP Incorporated Harrisburg, PA 17105-3608
DIMENSIONS: INCHES [mm]		CHK B. FOX 16NOV92	
TOLERANCES UNLESS OTHERWISE SPECIFIED: 0 PLC ±- 1 PLC ±- 2 PLC ±.01 [0.254] 3 PLC ±.005 [0.127] 4 PLC ±- ANGLES ±- FINISH		APVD G. REED 17NOV92	NAME MODULAR JACK ASSEMBLY, 8 POSITION RIGHT ANGLE, LOW PROFILE, SHORTING, SHIELDED, PC BOARD GROUND
MATERIAL		PRODUCT SPEC 108-1163	SIZE A2
		APPLICATION SPEC 114-2048	CAGE CODE 00779
		WEIGHT -	DRAWING NO C-557789
		CUSTOMER DRAWING	SCALE 2:1
			SHEET 1 OF 1
			REV D

557789