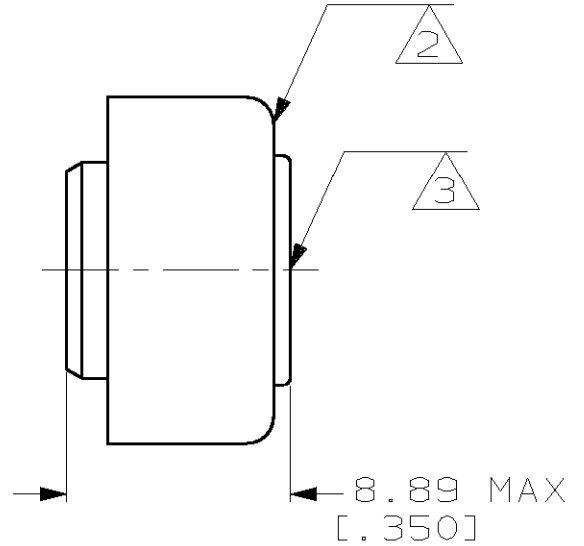
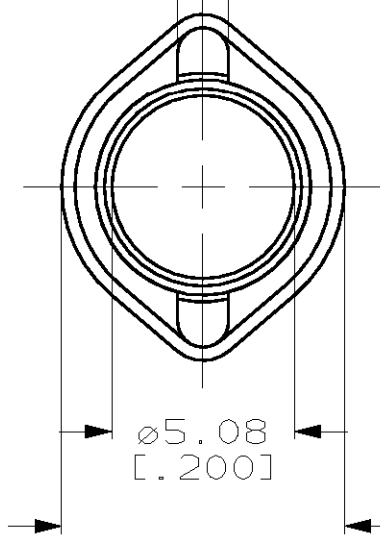


LOC	DIST	REVISIONS					
AJ	16	P	LTR	DESCRIPTION	DATE	DWN	APVD
		L		REV PER OU20-0563-00	19OCT00	MO	JL

1.85±0.25
[.073±.010]



INSULATION SIZE: 3.68-4.67 DIA
[0.145-.184]

- 1 ZINC PLATE PER QQ-Z-325
- 2 COPPER PER QQ-C-576
- 3 BRASS PER ASTM-B-16
- 4 TIN PLATE PER MIL-T-10727

4	2-327138-2
1	327138
FINISH	PART NUMBER

RELEASED FOR PUBLICATION

THIS DRAWING IS UNPUBLISHED.

BY AMP INCORPORATED. ALL RIGHTS RESERVED. © COPYRIGHT 19

DIMENSIONS: mm	DWN	J.L.GROFT	MATERIAL	SEE NOTES	FINISH	SEE NOTES
	CHK	S.W.BURKHOLDER	AMP Incorporated Harrisburg, PA 17105-3608			
TOLERANCES UNLESS OTHERWISE SPECIFIED:	APVD	S.W.BURKHOLDER				
0 PLC ±-	PRODUCT SPEC	-	NAME			
1 PLC ±-	APPLICATION SPEC	-	FERRULE ASSEMBLY, TERMASHIELD			
2 PLC ±-	WEIGHT	-	SIZE	CAGE CODE	DRAWING NO	
3 PLC ±.005			A4	00779	C-327138	
4 PLC ±-			CUSTOMER DRAWING			
ANGLES ±-			SCALE	4:1	SHEET	1 OF 1
					REV	L