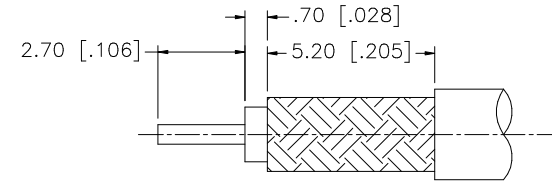
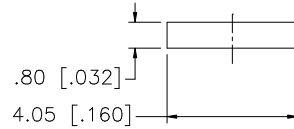
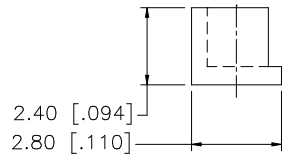
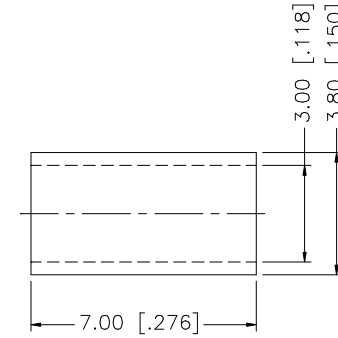
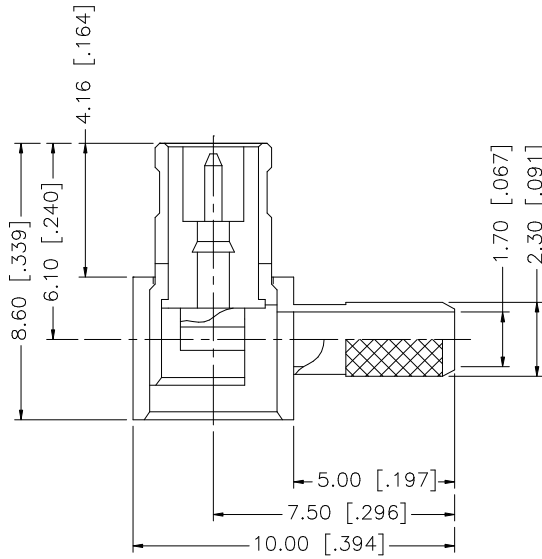
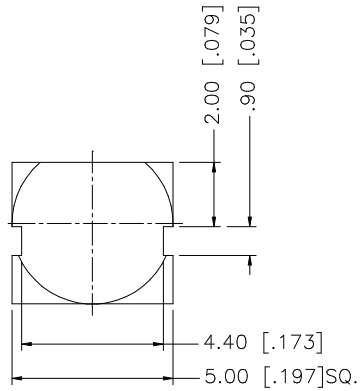


REV.	DATE	DESCRIPTION
A	01/30/04	UPDATE DRAWING FORMAT



RECOMMENDED
CABLE STRIPPING DIM'S

NOTE:

1. CRIMPED FERRULE
HEX CRIMP SIZE .128"
2. CONTACT PIN TO SOLDER

DESCRIPTION	MATERIAL	FINISH	QTY	DO NOT SCALE DRAWING	APPROVALS	DATE	<h1 style="color: blue; margin: 0;">Amphenol Connex</h1>
8					DRAWN	G.R.S.	
7					CHECKED		PART DESCRIPTION MCX R/A CRIMP PLUG (FOR RG-179/U, 187A/U CABLE)
6	FERRULE	COPPER	GOLD	1	ISSUED		
5	COVER	BRASS	GOLD	1	SHEET	1 OF 1	PART NO. 252102-75
4	INSULATOR	DELTRIN	NATURAL	1	CAD FILE	C:/252/252102-75.DWG	
3	CONTACT PIN	BRASS	GOLD	1	DWG. NO.	252102-75.DWG	REV. A
2	INSULATOR	TEFLON	NATURAL	1	SIZE	A	SCALE
1	BODY	BER. COPPER	GOLD	1	SCALE	NA	

UNLESS OTHERWISE SPECIFIED DIMENSIONS ARE IN MILLIMETERS. DIMENSIONS IN [] ARE IN INCHES AND FOR CUSTOMER REFERENCE ONLY.

UNLESS OTHERWISE SPECIFIED TOLERANCES FOR MILLIMETERS ARE:
 0.5 - 8mm ± 0.20mm
 8 - 30mm ± 0.40mm
 30 - 120mm ± 0.50mm

UNLESS OTHERWISE SPECIFIED TOLERANCES FOR INCHES ARE:
 .020 - .315 = ± 0.007"
 .315 - 1.180 = ± 0.015"
 1.180 - 4.724 = ± 0.020"