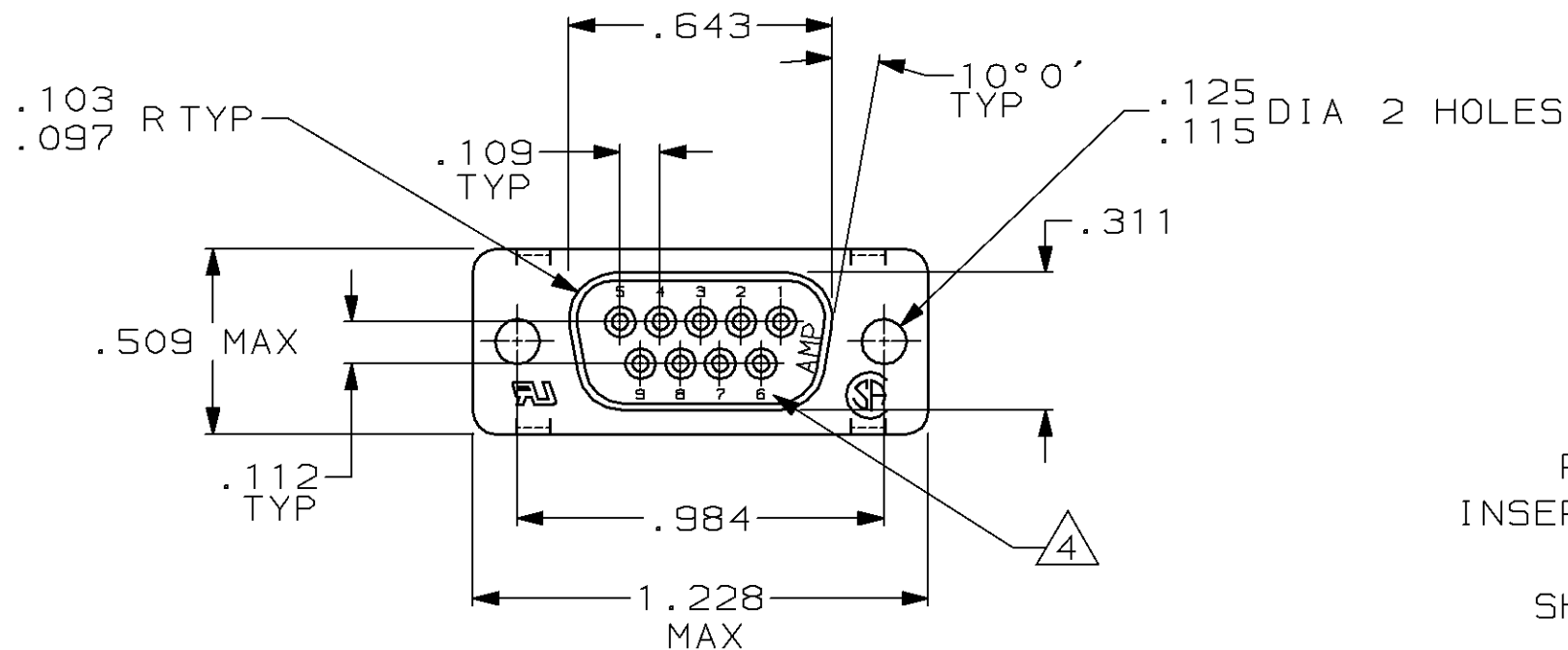
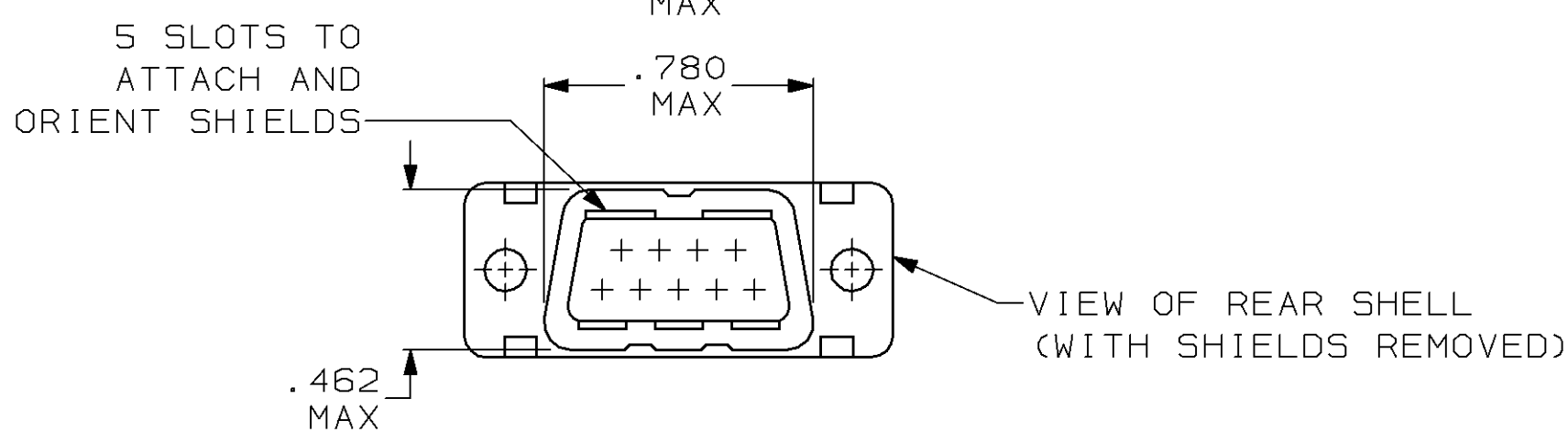
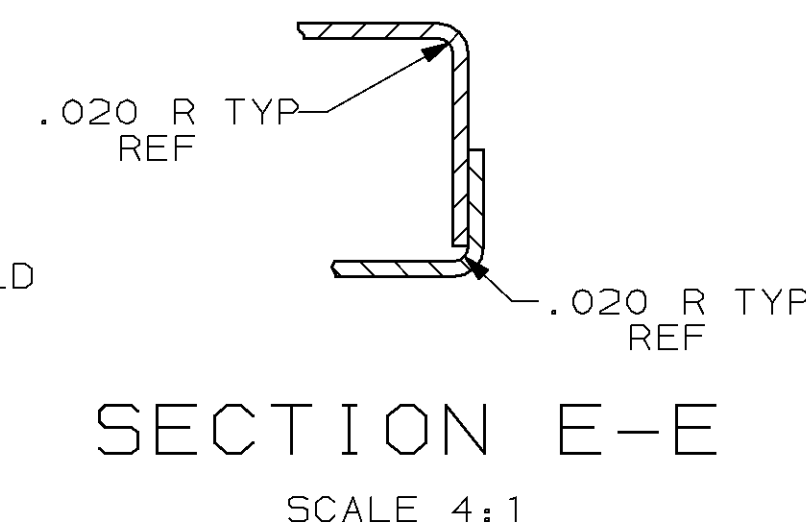
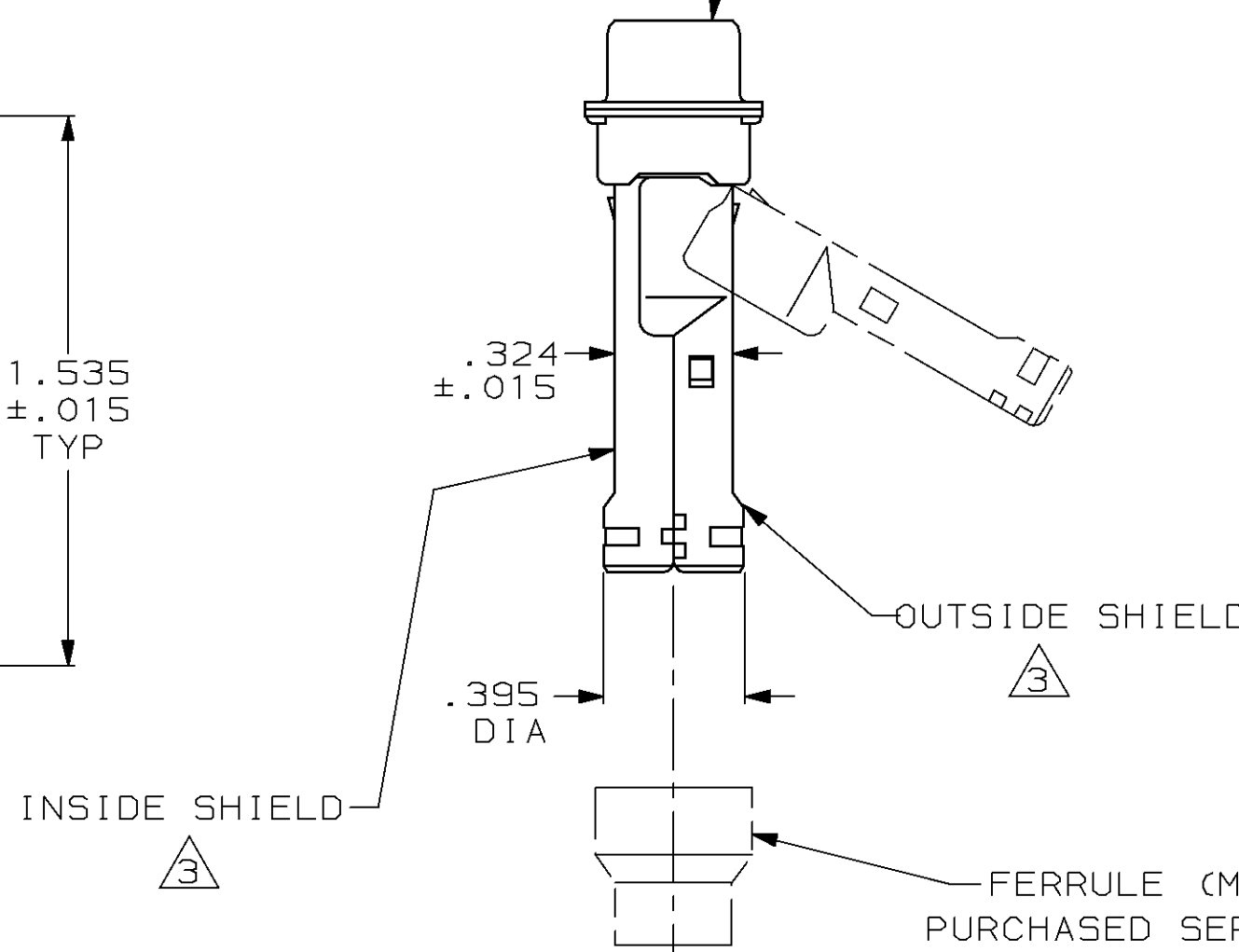
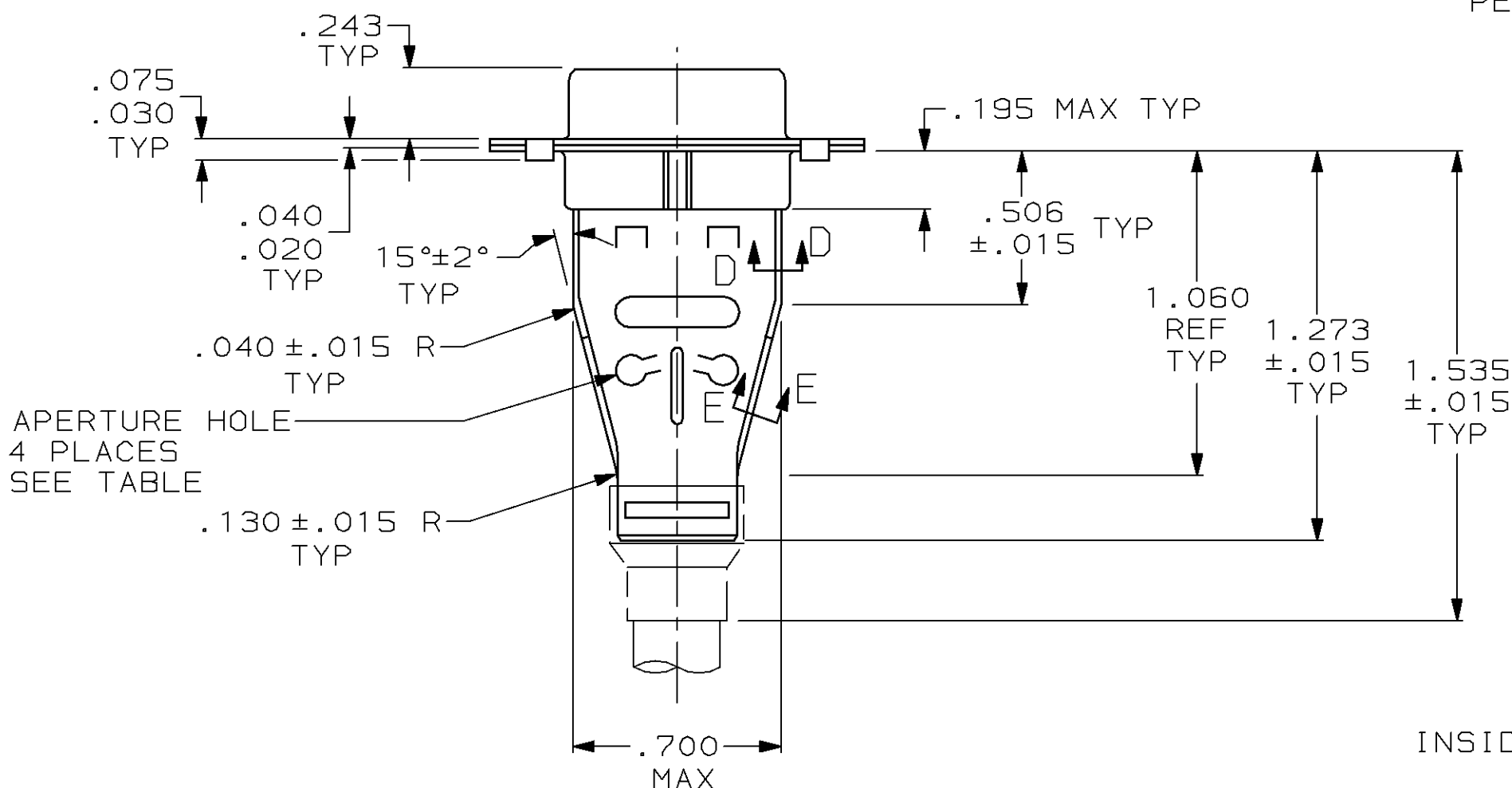
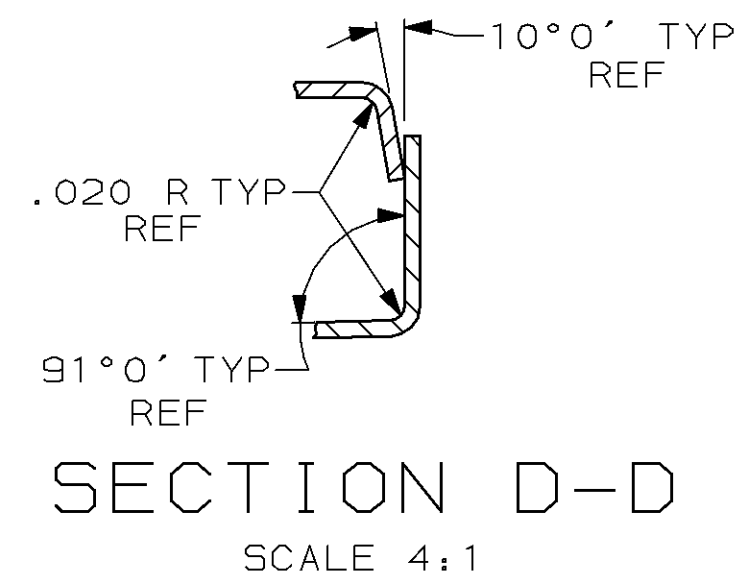


THIS DRAWING IS UNPUBLISHED. RELEASED FOR PUBLICATION, 19 .  
 © COPYRIGHT 19 BY AMP INCORPORATED. ALL INTERNATIONAL RIGHTS RESERVED.

LOC	DIST	P	F	REVISIONS				
				ZONE	LTR	DESCRIPTION	DATE	APPD
BD	48			A		REDRAWN	5-23-90	-
				B		REV PER ECN BD5049	7-2-91	TMS
				C		ADDED-2 NPR3889 WAS 91-5788-1-1	01/02/92	TMS
				D		OBS -2 PER ECN BD5856	01/17/92	TMS
				E		REACTIVATED -2 PER NPR 3975	02/14/92	TMS
				F		ADD -3 PER NPR 4199 WAS 92-5788-4	06/03/92	TBS
				G		OBS -2, -3 PER EC 0020-724-95	08 MAR 96	JCS



RECEPTACLE CONNECTOR <sup>1</sup>  
 INSERT: BLACK GLASS FILLED NYLON  
 94 V-0 RATED  
 SHELL: STEEL PER ASTM A109  
 BRIGHT TIN PLATED  
 PER MIL-T-10727



OBSOLETE	-	<sup>5</sup>
OBSOLETE	WITHOUT	747523-2
	WITH	747523-1
	APERTURE HOLE	PART NUMBER

- <sup>1</sup> RECEPTACLE ACCEPTS SIZE 20 SOCKET CONTACTS (CONTACTS ORDERED SEPARATELY)
- 2 ALL PARTS SHIPPED UNASSEMBLED, EACH PART INDIVIDUALLY BULK PACKED.
- <sup>3</sup> SHIELDS: MATERIAL-.020 THICK STEEL, TIN PLATED PER MIL-T-107207.
- <sup>4</sup> RAISED CAVITY IDENTIFICATION AND AMP TRADEMARK.
- <sup>5</sup> SEE RESTRICTED CUSTOMER DRAWING 747523-3.

DO NOT SCALE PRINT. UNLESS SPECIFIED DIMENSIONS IN INCHES TOLERANCES ON : 2 PLC DEC ± - 3 PLC DEC ± .005 ANGLES ± 0°30'	DR 5/23/90 A. STAUB BG CHK J. McCLINTON 8-31-90 APPD B. TAYLOR 9-4-90 APPD J. ASSINI 9-4-90 PRODUCT SPEC -	AMP INCORPORATED Harrisburg, Pa. 17105 NAME KIT, RCPT, SHIELDING HARDWARE, SIZE 1, 9 POSN, HDP-20, AMPLIMITE™	
MATERIAL SEE CALL OUT <sup>3</sup>	APPLICATION SPEC -		
FINISH SEE CALL OUT <sup>3</sup>	WEIGHT -	DRAWING NO 747523	SHEET 1 OF 1