

THIS DRAWING IS UNPUBLISHED.

RELEASED FOR PUBLICATION APRIL , 2004.

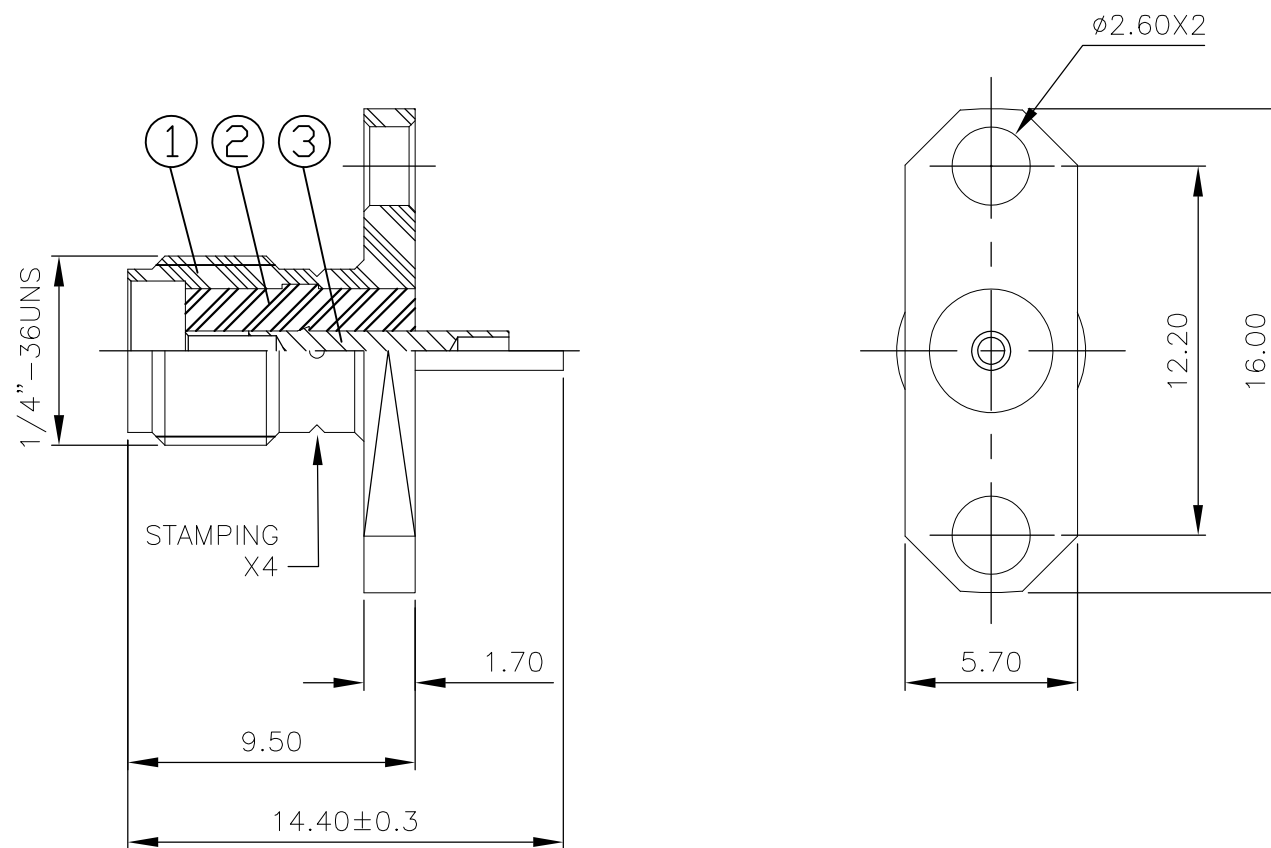
© COPYRIGHT 2004 By -

ALL RIGHTS RESERVED.


LOC	DIST	REVISIONS					
E	B	P	LTR	DESCRIPTION	DATE	DWN	APVD
			A1	REVISED PER ECO-11-005033	01APR11	RK	HMR

NOTES:

- 1 SINGLE PACK IN ACCORDANCE WITH SPEC 107-3275
- 2 100 TRAY PACK IN ACCORDANCE WITH SPEC 107-3275
- 3 0.08µm Au PLATING OVER 1.27µm Ni PLATING
- 4 0.08µm Au PLATING OVER 1.27µm Ni PLATING OVER 0.76µm Cu PLATING
- 5 0.76µm Au PLATING OVER 1.27µm Ni PLATING OVER 0.76µm Cu PLATING
- 6 PASSIVATED
- 7 WHITE BRONZE PLATING
- 8 FOR TECHNICAL DATA REFER TO YOUR LOCAL TE CONNECTIVITY SALES OFFICE
- 9 ALL DIMENSIONS ARE NOMINAL FOR REFERENCE ONLY UNLESS OTHERWISE STATED



1	1	1	1	1	1	1	1	BERYLLIUM COPPER	5	CENTER SOCKET	3
1	1	1	1	1	1	1	1	PTFE		INSULATOR	2
1	1	-	-	-	-	-	-	BRASS	7	BODY	1
-	-	1	1	-	-	-	-	BRASS	4	BODY	1
-	-	-	-	1	1	-	-	STAINLESS STEEL	6	BODY	1
-	-	-	-	-	-	1	1	STAINLESS STEEL	3	BODY	1
4--1	4--0	3--1	3--0	2--1	2--0	1--1	1--0	MATERIAL		DESCRIPTION	ITEM
2	1	2	1	2	1	2	1				
QUANTITY PER ASSY								PARTS LIST			

THIS DRAWING IS A CONTROLLED DOCUMENT.		DWN R.SMITH 12FEB04	 <b>TE Connectivity</b>											
DIMENSIONS: mm		CHK S.PARLOW 12FEB04												
TOLERANCES UNLESS OTHERWISE SPECIFIED:		APVD F.WHEELER-KING 12FEB04												
<table border="0"> <tr><td>0 PLC</td><td>± -</td></tr> <tr><td>1 PLC</td><td>± -</td></tr> <tr><td>2 PLC</td><td>± -</td></tr> <tr><td>3 PLC</td><td>± -</td></tr> <tr><td>4 PLC</td><td>± -</td></tr> <tr><td>ANGLES</td><td>± -</td></tr> </table>		0 PLC				± -	1 PLC	± -	2 PLC	± -	3 PLC	± -	4 PLC	± -
0 PLC	± -													
1 PLC	± -													
2 PLC	± -													
3 PLC	± -													
4 PLC	± -													
ANGLES	± -													
MATERIAL SEE TABLE		FINISH -	PRODUCT SPEC 108-3460	SMA STRAIGHT PANEL SOCKET RECEPTACLE 2 HOLE FLANGE SOLDER SPILL										
		WEIGHT -	APPLICATION SPEC -	SIZE A3	CAGE CODE 00779	DRAWING NO C-1478963	RESTRICTED TO -							
CUSTOMER DRAWING				SCALE 1:1	SHEET 1 OF 1	REV A1								