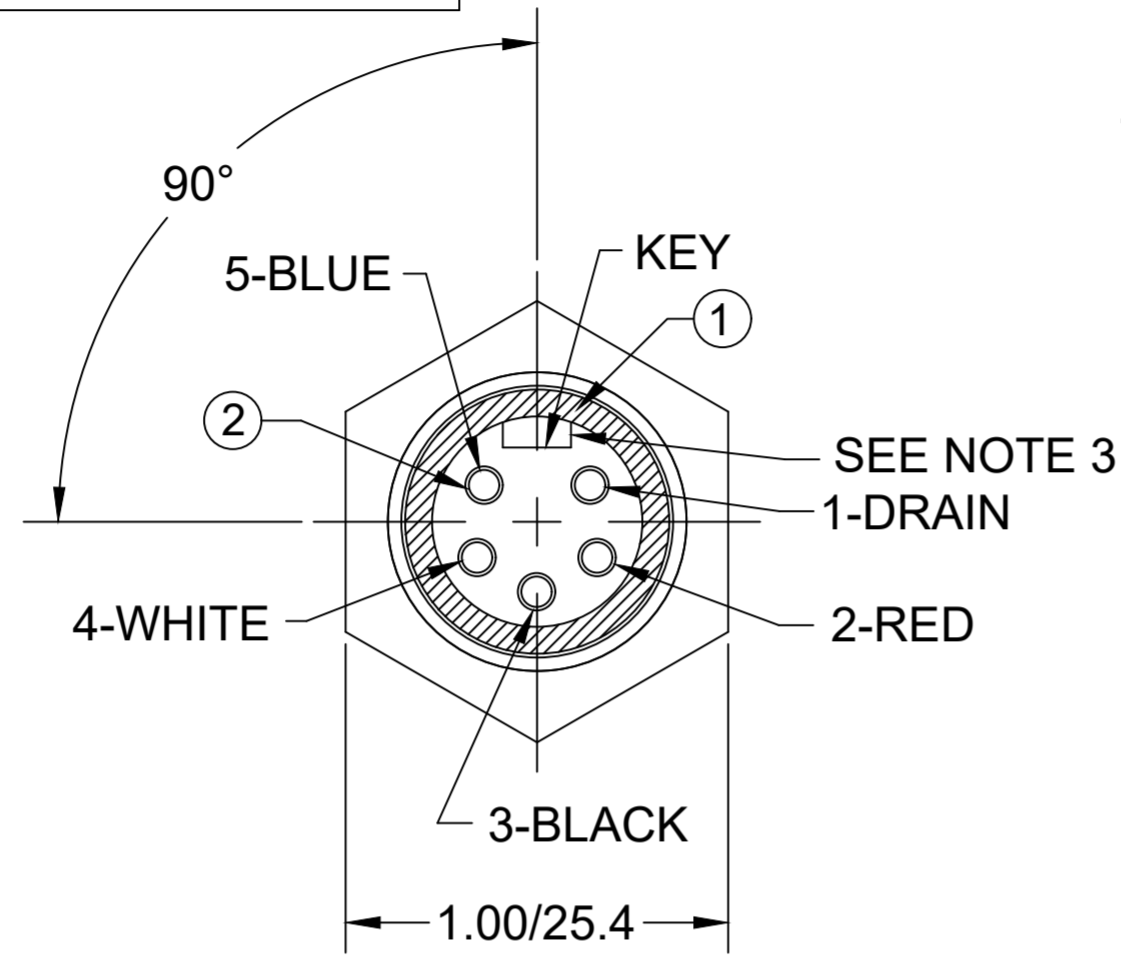


MATERIAL NUMBER	ENGINEERING NUMBER	FINISHED LENGTH
1300390283	DN5000-M005	0.5M [1 FT 7 IN]
1300390290	DN5000-M050	5M [16 FT 5 IN]
1300390292	DN5000-M100	10M [32 FT 9 IN]



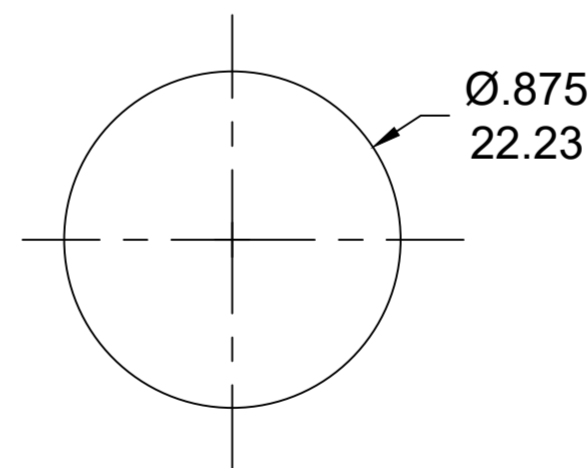
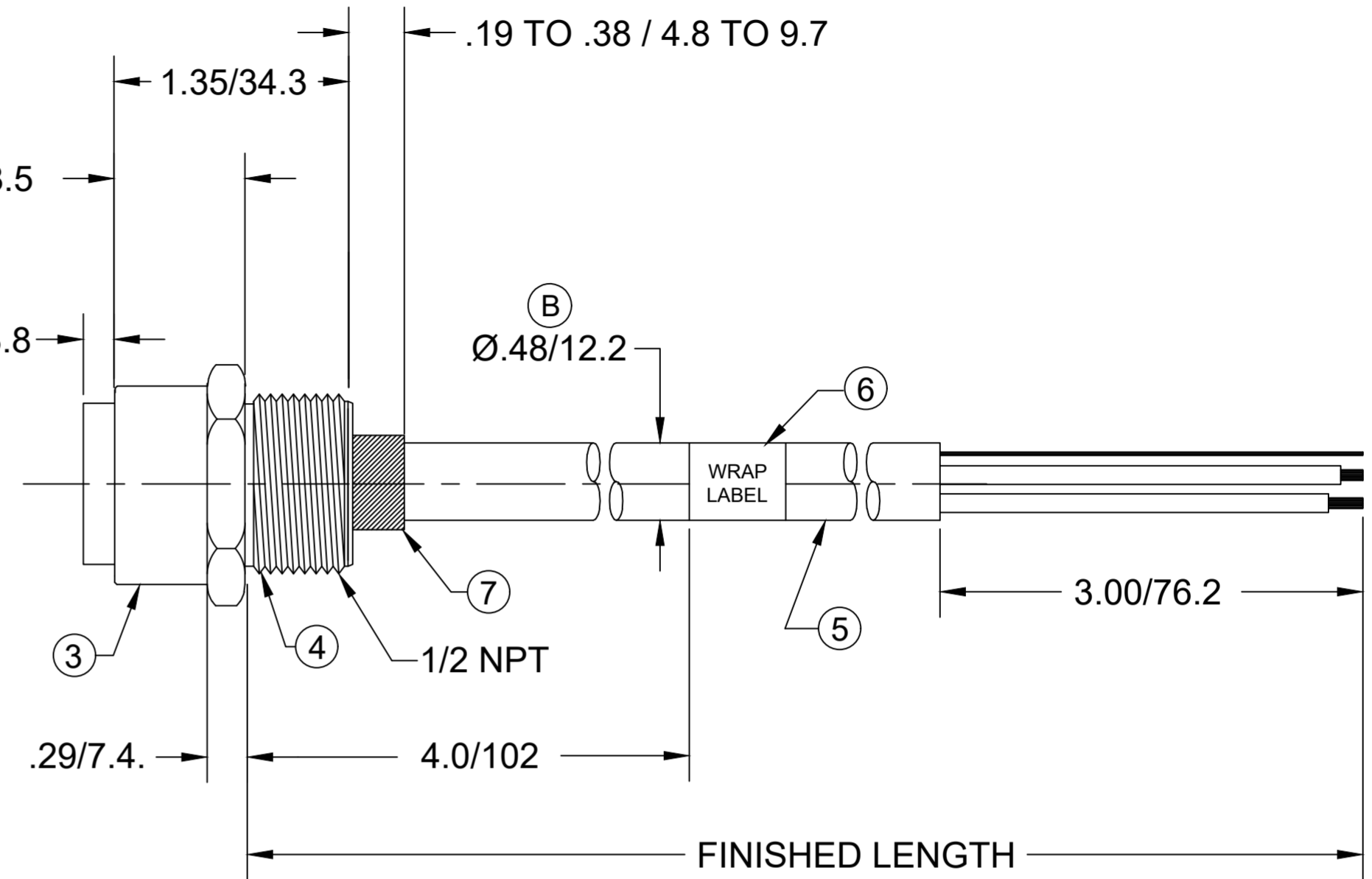
FEMALE INSERT - FRONT VIEW

NOTES:

- MATERIAL: AS NOTED
- FINISH: AS NOTED
- ELECTRICAL:
VOLTAGE RATING PER IEC 60664: 300V
VOLTAGE RATING PER UL: 300V
CURRENT: 4A
- TEMP RATING: -20° TO +60°C
- PROTECTION: IP67 (WHEN MATED)
- COUPLING THREAD- 7/8-16 UN (B)
- UL LISTED FILE: E152210
CSA CERTIFIED FILE: LR6837
- ALL DIMENSIONS ARE FOR REFERENCE UNLESS TOLERANCED OR NOTED OTHERWISE

PART NO. MATRIX DN5000M003

LENGTH
M005 = 0.5 METER
M010 = 1 METER
M100 = 10 METER



RECOMMENDED PANEL CUTOUT

CABLE LENGTH TOLERANCES	
>.3M [1FT]:	+19mm-0 [+1.75in-0]
.3 - .9M [1 - 3FT]:	+44.5mm-0 [+1.75in-0]
.9 - 1.8M [3 - 6FT]:	+55.6mm-0 [+2.19in-0]
1.8 - 3.7M [6 - 12FT]:	+88.9mm-0 [+3.50in-0]
3.7 - 7.3M [12 - 24FT]:	+165.1mm-0 [+6.50in-0]
7.3-14.6M [24 - 48FT]:	+317.5mm-0 [+12.50in-0]
14.6 - 30.5M [48-100FT]:	+622.3mm-0 [+24.50in-0]
OVER 30M [100FT]	+2% OF FINISHED LENGTH

ITEM	COMPONENT	MATERIAL	FINISH
1	INSERT	TPE	GRAY
2	CONTACT SOCKET	COPPER ALLOY	GOLD OVER NICKEL
3	RECEPTACLE SHELL	ZINC	NICKEL
4	POTTING MATERIAL	EPOXY	BLACK
5	TRUNK CABLE 2/15 & 2/18 SHIELD PAIR	PVC	GRAY
6	LABEL	VINYL	BLACK/YELLOW
7	HEAT SHRINK TUBING	POLYOLEFIN	BLACK

THIS DRAWING CONTAINS INFORMATION THAT IS PROPRIETARY TO MOLEX ELECTRONIC TECHNOLOGIES, LLC AND SHOULD NOT BE USED WITHOUT WRITTEN PERMISSION									
FUNCTIONAL SYMBOLS	DIMENSION UNITS	SCALE	CURRENT REV DESC: ITEM #1 WAS PVC. ADDED DIM(ZONEG6 & G4). COUPLING THREAD & PANEL CUTOUT. MATERIAL TABLE MODIFIED						
FA=0	INCH/MM	NTS							
FC=0	GENERAL TOLERANCES (UNLESS SPECIFIED)								
FP=0		mm	INCH						
DIVISIONAL SYMBOLS	4 PLACES	±----	±----	EC NO:	643513				
	3 PLACES	±----	±----	DRWN:	ABENJAMINLW	2020/07/28			
	2 PLACES	±----	±----	CHK'D:	RSTONE	2020/08/28			
	1 PLACE	±----	±----	APPR:	BWOODMAN	2020/09/15			
	0 PLACES	±----	±----	INITIAL REVISION:					
	ANGULAR TOL	± ---- °		DRWN:	AAKHTAR	2017/09/15			
				APPR:	BWOODMAN	2017/10/15			
	DRAFT WHERE APPLICABLE MUST REMAIN WITHIN DIMENSIONS			THIRD ANGLE PROJECTION	DRAWING	SERIES	MATERIAL NUMBER	CUSTOMER	SHEET NUMBER
					C-SIZE	130039	SEE CHART	GENERAL MARKET	1 OF 1

molex

MINI-CHANGE RECEPTACLE, A-SIZE
5 POLE, FEMALE, STRAIGHT, SINGLE KEY,
15/18 AWG

PRODUCT CUSTOMER DRAWING

DOCUMENT NUMBER DOC TYPE/DOC PART REVISION

SD-130039-062 PSD 001 B