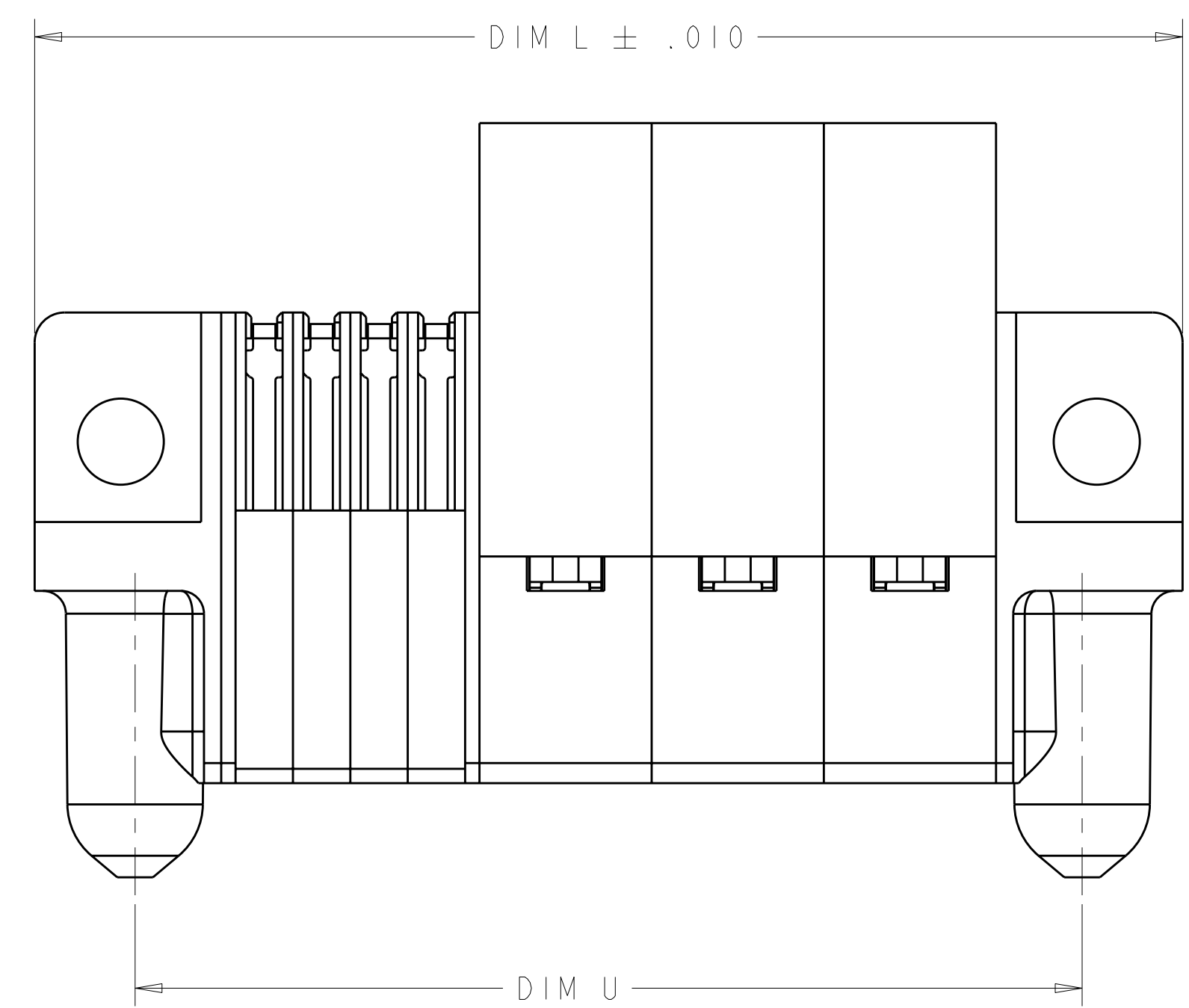
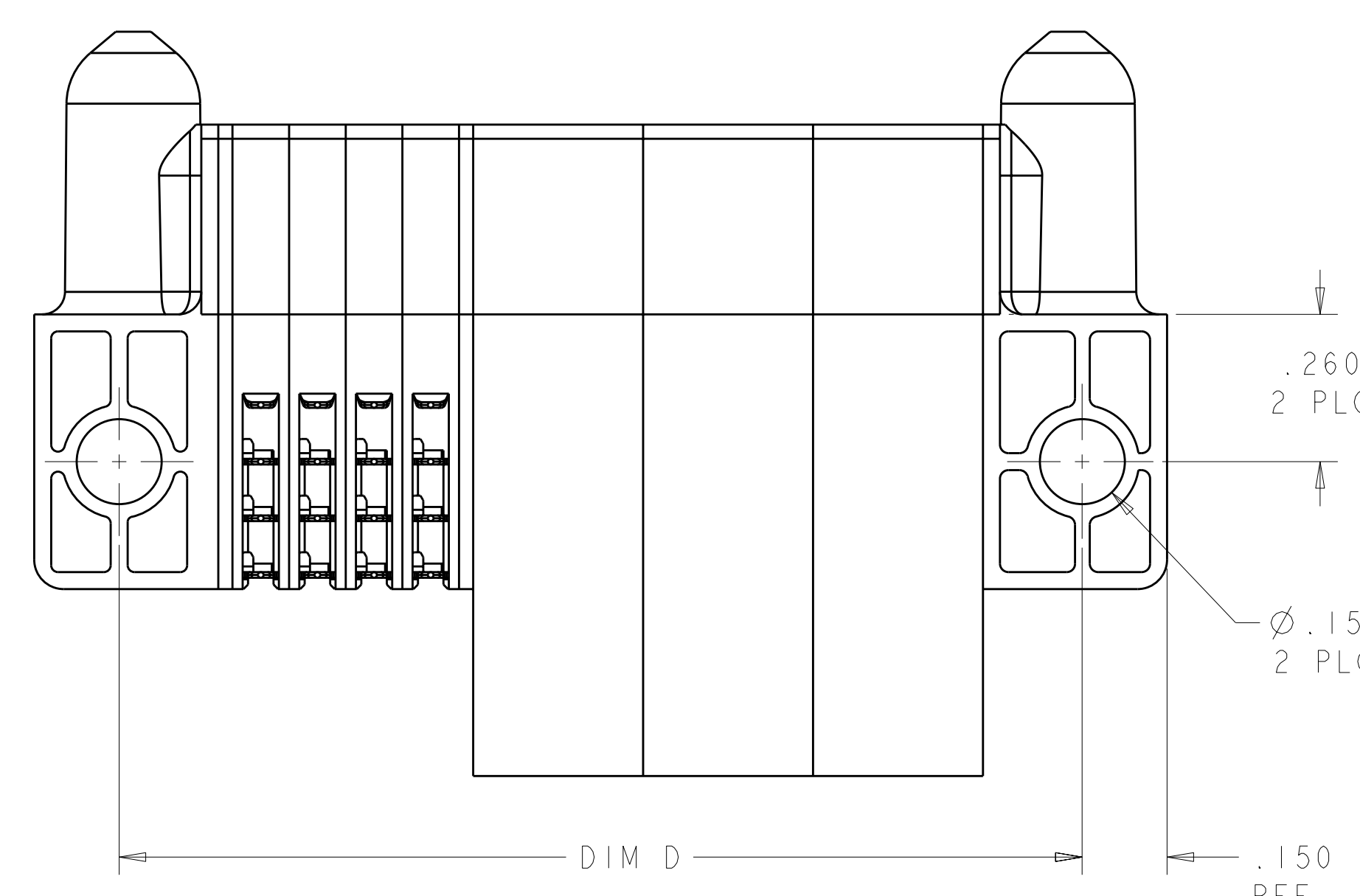
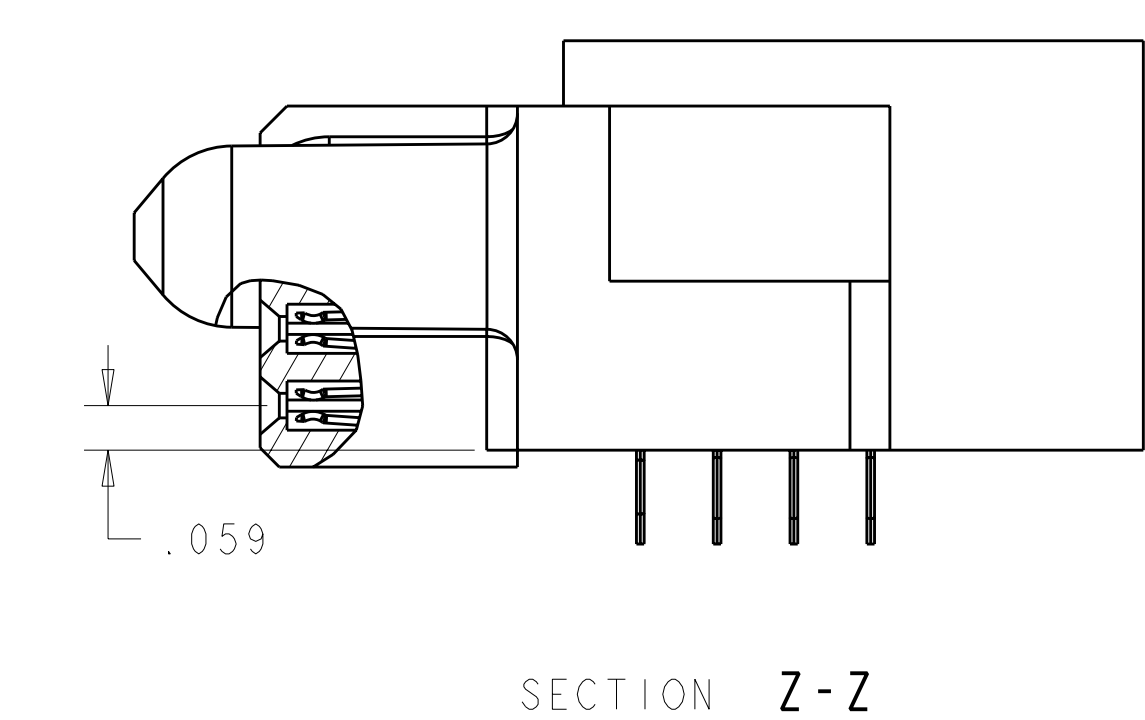
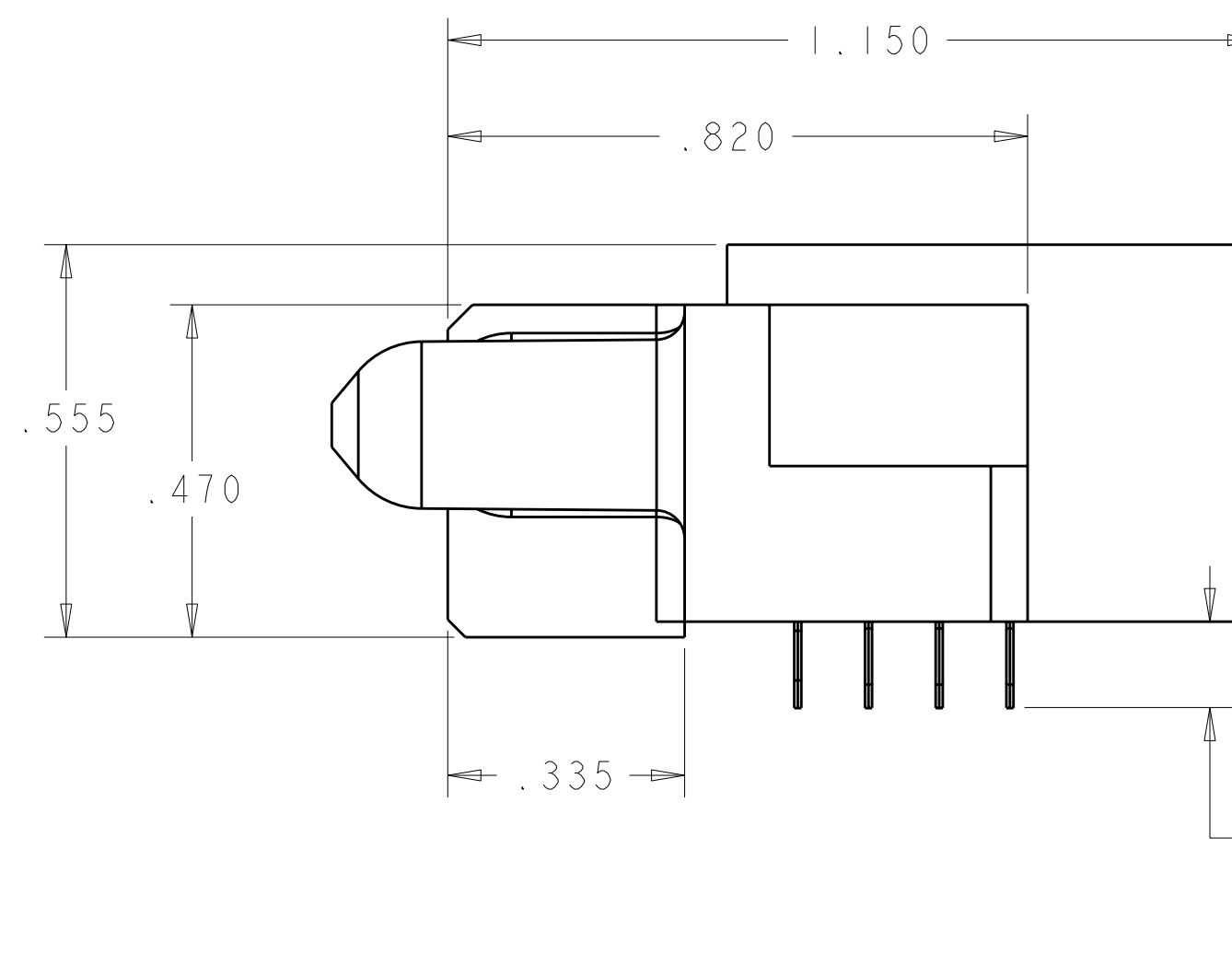
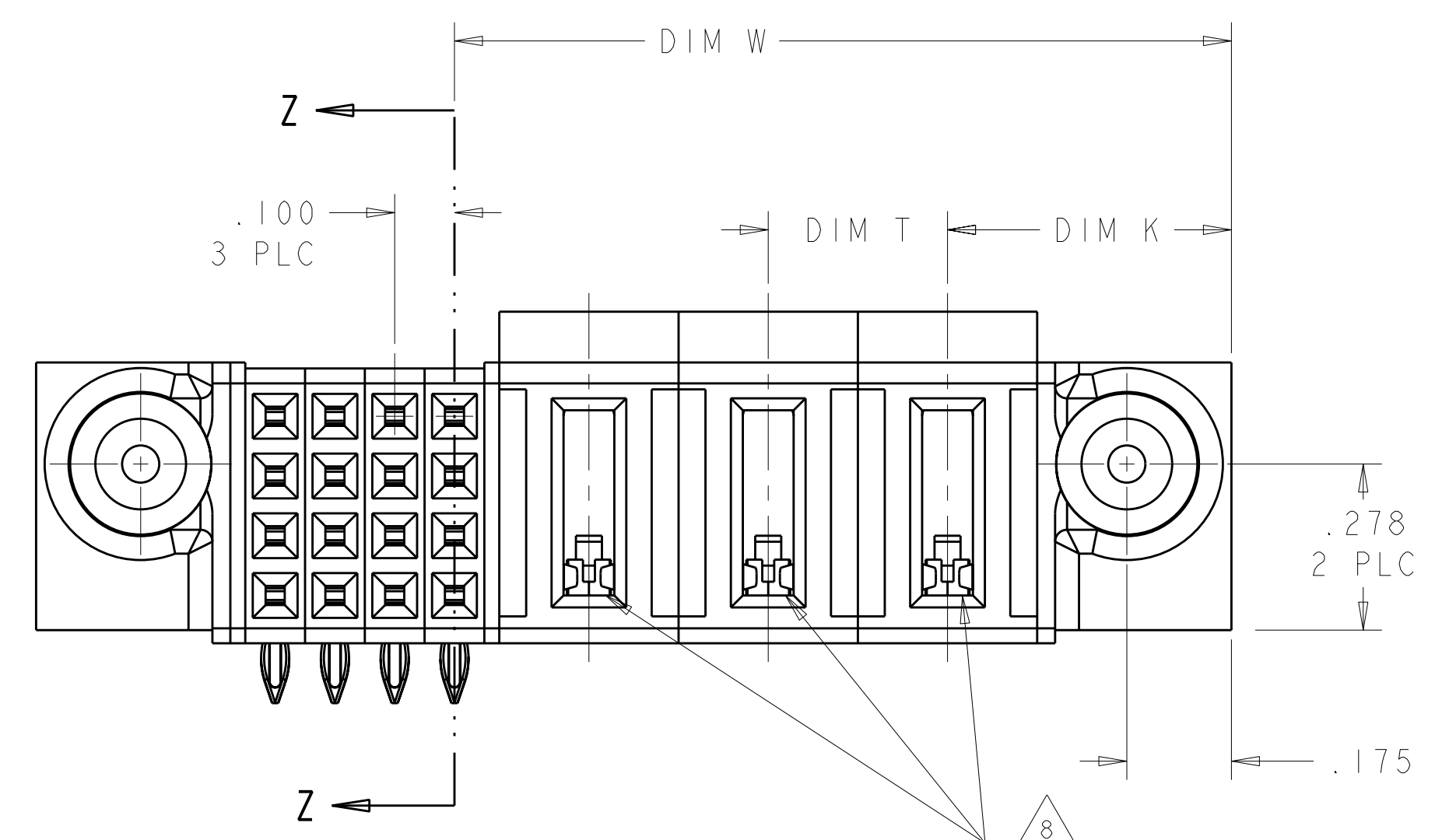


LOC	DIST	REVISIONS					
ES	00	P	LT#	DESCRIPTION	DATE	DWN	APVD
		A		REV PER ECR-06-021202	6SEP2006	DZ	SY
		A2		REVISED	01APR2011	1L	SZ
		A3		REV PER ECR-11-007251	07APR2011	1L	SZ



- ① "AMP", PART NUMBER AND DATE CODE TO BE MARKED
- ② MATERIAL: HOUSING - GLASS FILLED HIGH TEMP THERMO PLASTIC, UL94 V-0.
 SIGNAL CONTACT - HIGH CONDUCTIVITY COPPER ALLOY
 POWER CONTACT - HIGH CONDUCTIVITY COPPER ALLOY
- ③ CONTACT PLATING: SIGNAL CONTACTS - .000050 MIN Ni UNDER ALL.
 .000030 MIN Au ON CONTACT AREA. .000100 MIN Sn AT PCB INTERFACE.
 POWER CONTACTS - .000050 MIN Ni UNDER ALL.
 .000030 MIN Au ON CONTACT AREA. .000100 MIN Sn AT PCB INTERFACE.
- ④ MECHANICAL CONNECTOR KEEP OUT ZONE.
- ⑤ DATUM AND BASIC DIMENSIONS ESTABLISHED BY CUSTOMER.
- ⑥ PCB - ALL HOLE DIAMETERS ARE FINISHED HOLE SIZES
- ⑦ PCB - .0453±.0010 DRILLED HOLES PLATED WITH .0003 MIN Sn OVER .001 TO .003 Cu PLATING TO ACHIEVE A .040 DIAMETER HOLE
- ⑧ A/C POWER CABLE CONTACT LOADED IN THESE CAVITIES.
- ⑨ VARIABLE DIMENSIONS SHOW ON PAGE 2

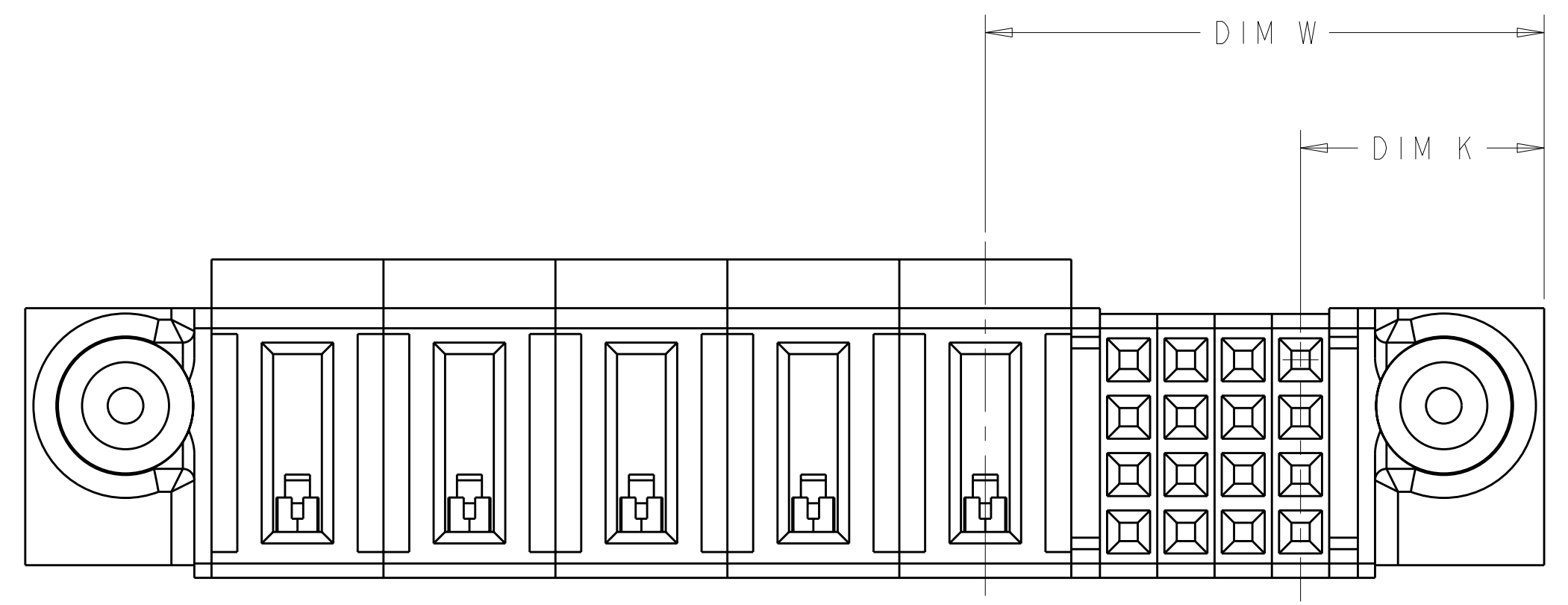


.300	2.350	.425 ^⑨	.925 ^⑨	2.300	2.650	16S + 5ACP	6450668-2
.300	1.700	.475	1.300	1.650	2.000	3ACP + 16S	6450668-1
DIM T	DIM D	DIM K	DIM W	DIM U	DIM L	DESCRIPTION	PART NUMBER

DIMENSIONS: INCHES TOLERANCES UNLESS OTHERWISE SPECIFIED: 9 PLC ±.01 1 PLC ±.01 2 PLC ±.01 3 PLC ±.005 4 PLC ±.0020 ANGLES ±.02°		DWN DENNY ZHU 6SEP2006 CHK S. ZHAO 6SEP2006 APVD S. YAO		tyco Electronics Tyco Electronics Shanghai, P.R.China. 200233	
MATERIAL: ② FINISH: ③		PRODUCT SPEC: 108-1973 APPLICATION SPEC: 114-13038 WEIGHT: -		NAME: RIGHT ANGLE RECEPTACLE ASSEMBLY A/C PASS THRU W/GUIDES MULTI-BEAM XL SIZE: A1 CAGE CODE: 00779 DRAWING NO: C=6450668 RESTRICTED TO: -	
CUSTOMER DRAWING				SCALE: 4:1	SHEET 1 OF 4

THIS DRAWING IS UNPUBLISHED. RELEASED FOR PUBLICATION 20
 © COPYRIGHT 20 BY TYCO ELECTRONICS CORPORATION. ALL RIGHTS RESERVED.

LOC		DIST		REVISIONS			
ES	00	P	LTB	DESCRIPTION	DATE	DWN	APVD
		-	-	SEE SHEET 1	-	-	-

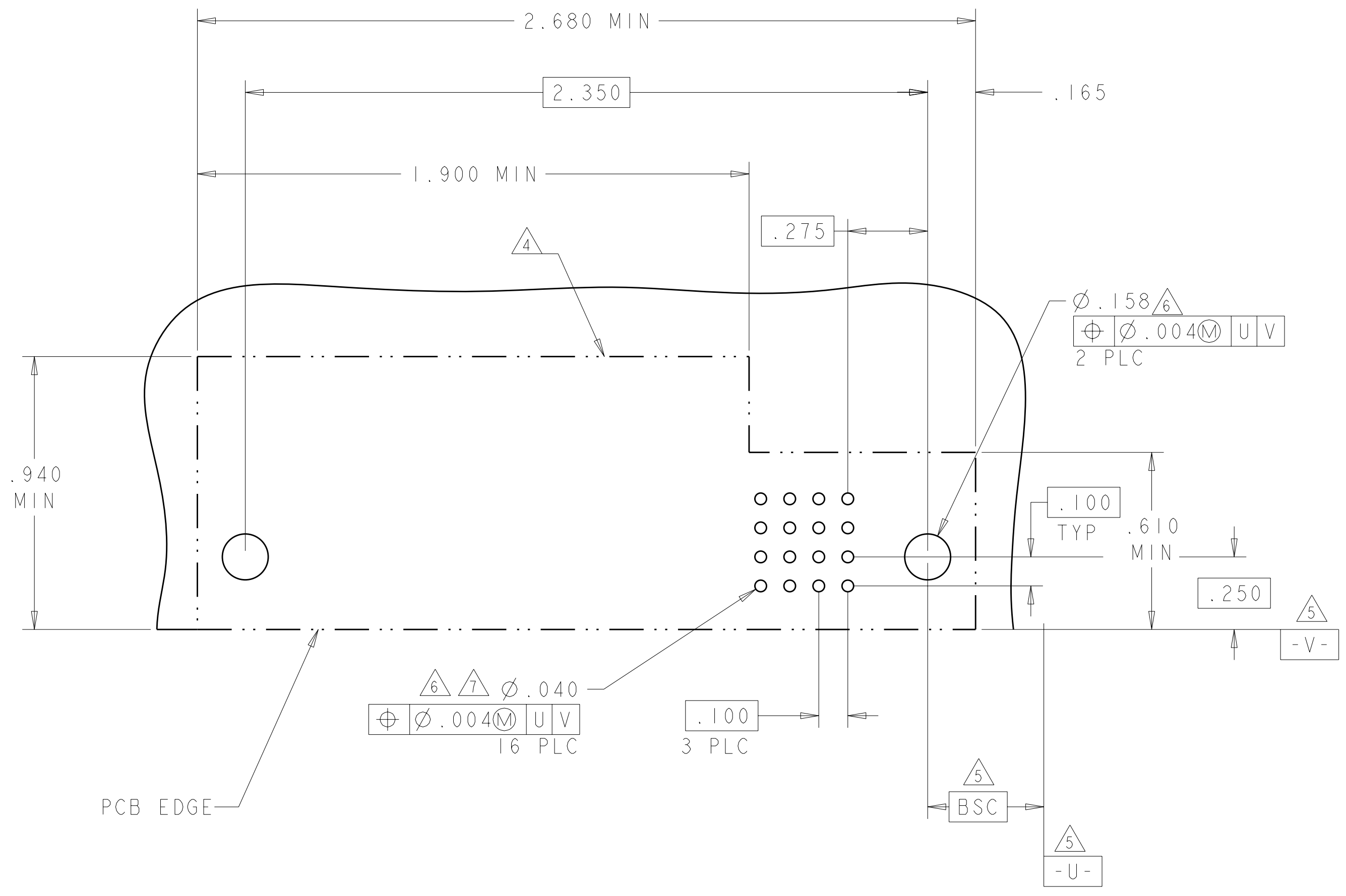


6450668-2

<small>THIS DRAWING IS UNPUBLISHED. RELEASED FOR PUBLICATION 2006. ALL RIGHTS RESERVED. THIS DRAWING IS UNPUBLISHED. RELEASED FOR PUBLICATION 2006. ALL RIGHTS RESERVED. THIS DRAWING IS UNPUBLISHED. RELEASED FOR PUBLICATION 2006. ALL RIGHTS RESERVED.</small>		DWN	DENNY ZHU	6SEP2006	Tyco Electronics Shanghai, P.R.China. 200233	
DIMENSIONS: INCHES		CHK	S. ZHAO	6SEP2006	NAME	
<small>TOLERANCES UNLESS OTHERWISE SPECIFIED:</small> 9 PLC ±. 7 PLC ±.01 5 PLC ±.005 4 PLC ±.0020 ANGLES ±2° FINISH		APVD	S. YAO	-	RIGHT ANGLE RECEPTACLE ASSEMBLY A/C PASS THRU W/GUIDES MULTI-BEAM XL	
		PRODUCT SPEC	108-1973		SIZE	A11
MATERIAL		APPLICATION SPEC	114-13038		CAGE CODE	00779
-		WEIGHT	-		DRAWING NO	C=6450668
-		CUSTOMER DRAWING	-		SCALE	4:1
-		RESTRICTED TO	-		SHEET	2 OF 4
-		REV	-		REV	A3

LOC	DIST	REV	DATE	BY	APPD
ES	00				
DESCRIPTION			DATE	BY	APPD
SEE SHEET 1					

PART NUMBER	ROWS	POWER					SIGNAL			
		P5	P4	P3	P2	P1	4	3	2	1
6450668-2	D	STD	STD	STD	STD	STD	D	D	D	D
	C						C	C	C	
	B						B	B	B	
	A						A	A	A	
16S + 5ACP										



DIMENSIONS:		TOLERANCES UNLESS OTHERWISE SPECIFIED:		DWN		REV	
INCHES		9 PLC	±	DENNY ZHU	6SEP2006	Tyco Electronics	
		1 PLC	±	S. ZHAO	6SEP2006	Shanghai, P.R.China. 200233	
		2 PLC	±.01	NAME			
		3 PLC	±.005	S. YAO			
		4 PLC	±.0020	PRODUCT SPEC			
		ANGLES	±.0020	108-1973			
		FINISH	±.0020	APPLICATION SPEC			
				114-13038			
				WEIGHT			
				A 00779 C=6450668			
				CUSTOMER DRAWING			
				SCALE 4:1 SHEET 4 OF 4 REV A3			