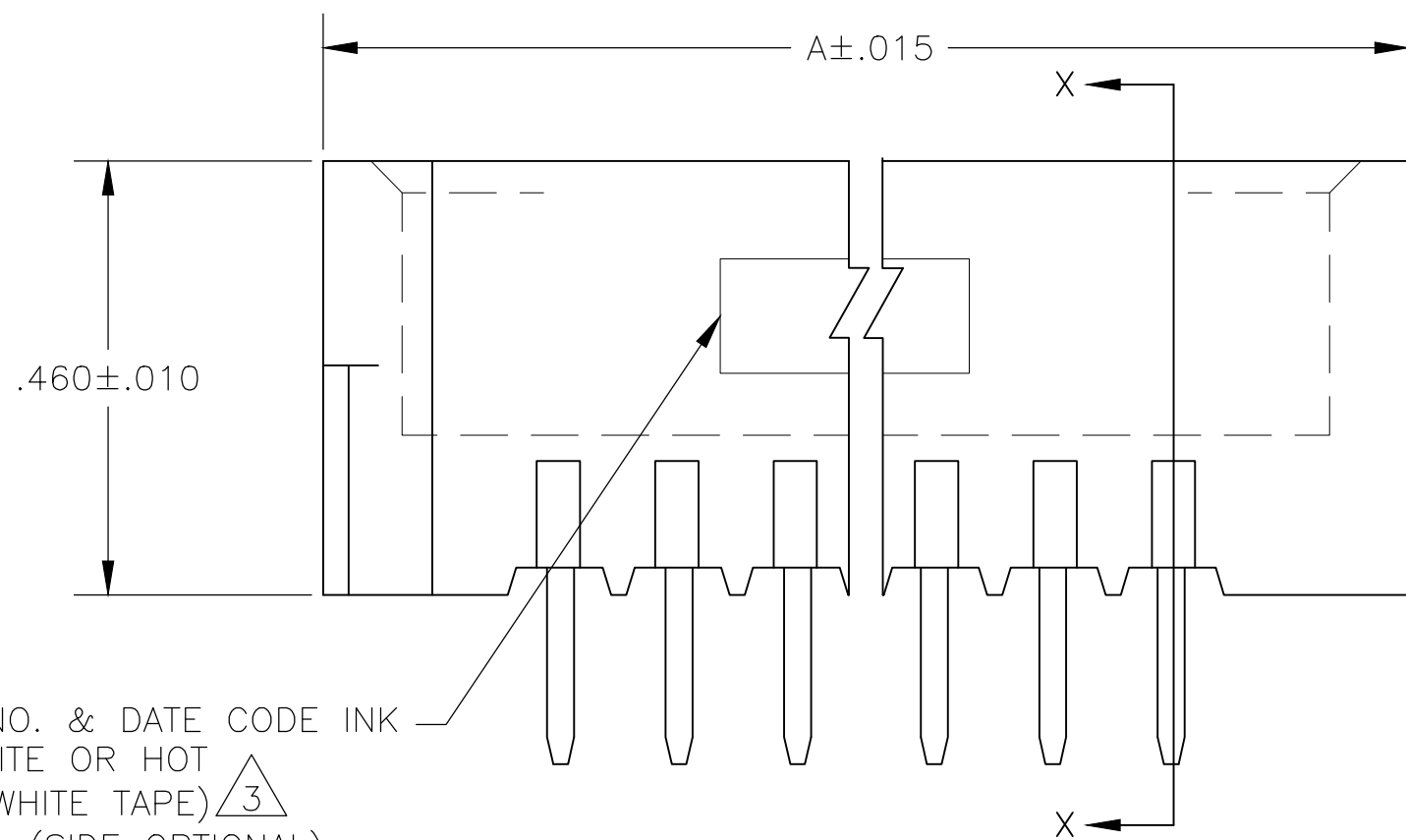
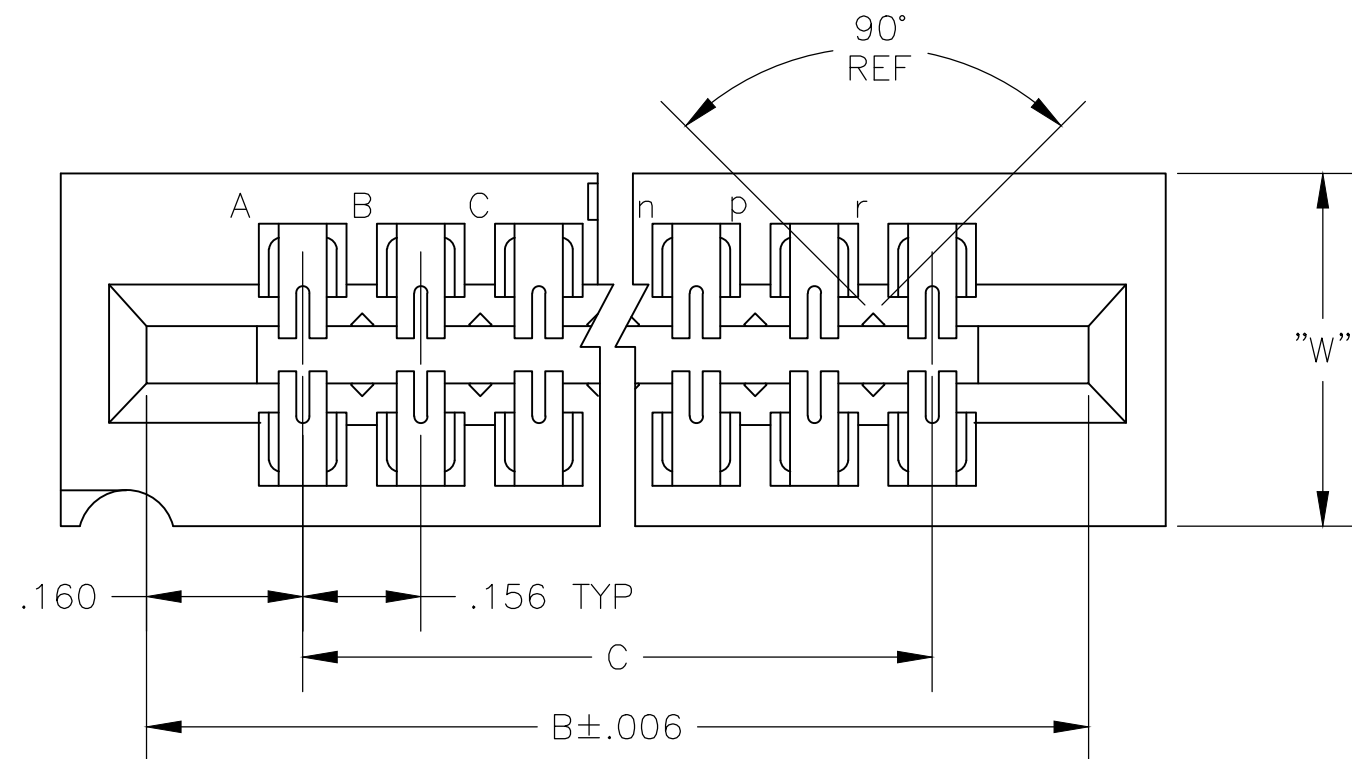
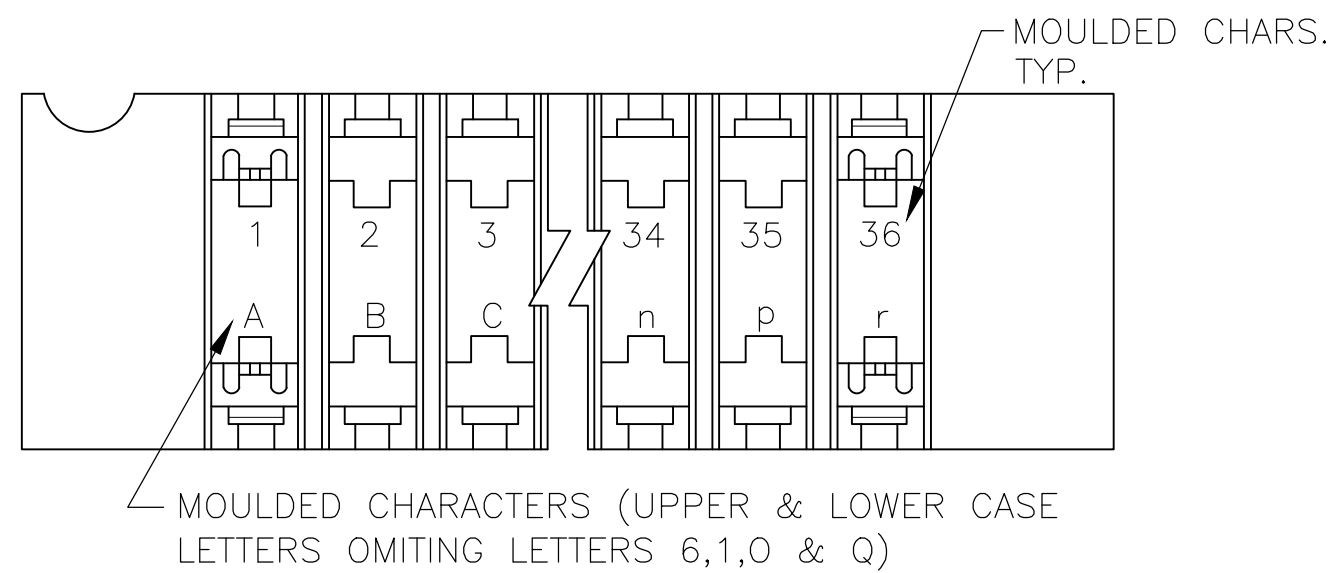


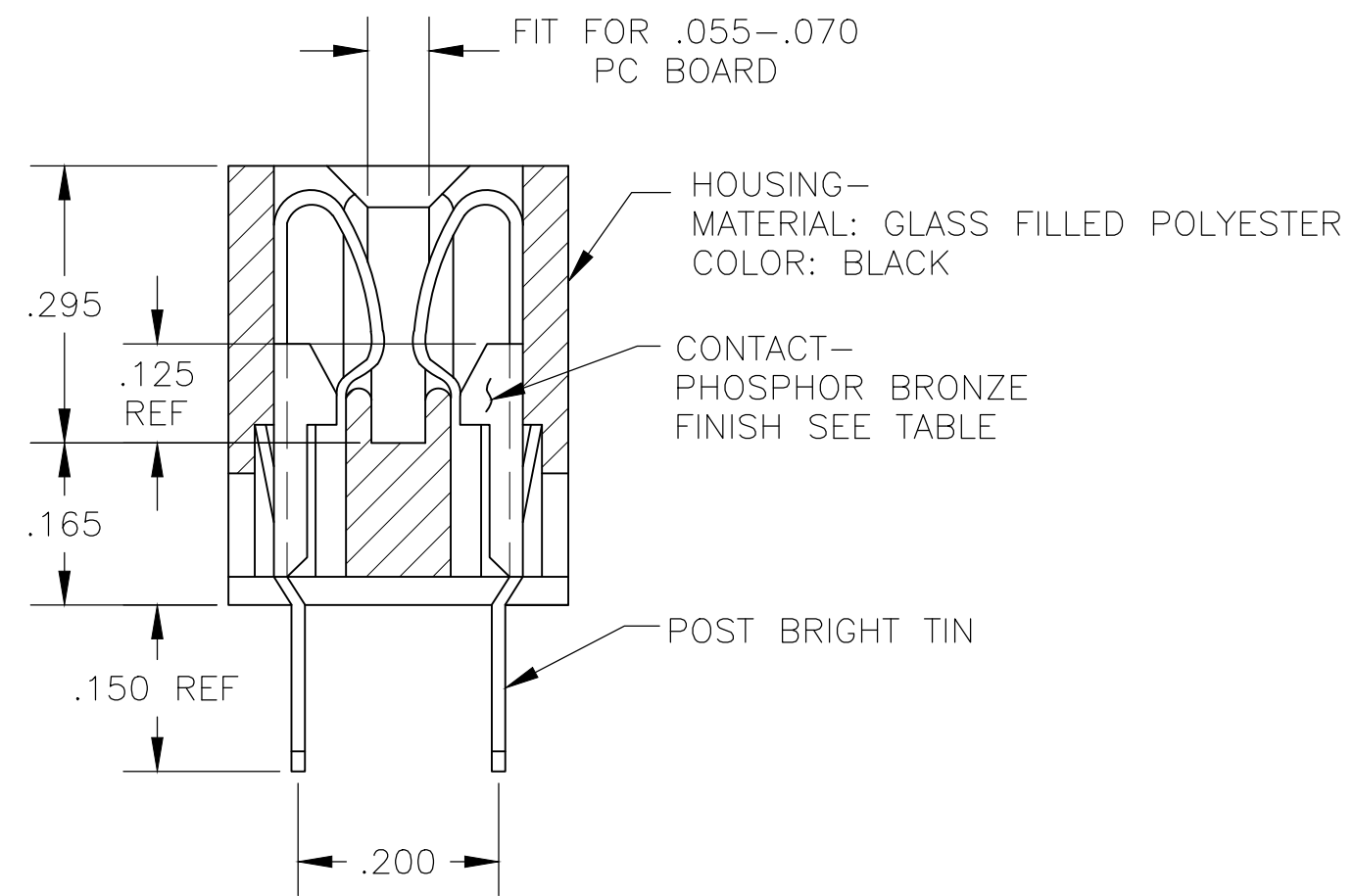
REVISIONS					
P	LTR	DESCRIPTION	DATE	DWN	APVD
J		REVISED PER ECO-20-000170	21MAY2020	KR	JO



AMP, PART NO. & DATE CODE INK STAMPED WHITE OR HOT STAMP (NO WHITE TAPE)  $\triangle 3$  IN THIS AREA (SIDE OPTIONAL)



- $\triangle 1$  .000015 MIN. GOLD OVER .000050 MIN. NICKEL IN CONTACT AREA
- $\triangle 2$  .000030 MIN. GOLD OVER .000050 MIN. NICKEL IN CONTACT AREA
- $\triangle 3$  ALL PARTS ASSEMBLED IN MEXICO MUST BE STAMPED "ASSY IN MEXICO" THE WORD "MEXICO" CAN BE SUBSTITUTED ONLY WHERE PART SIZE PROHIBITS STAMPING "ASSY IN MEXICO" INK STAMP COLOR WHITE OR HOT STAMP (NO WHITE TAPE) 115-9009, APPROX. WHERE SHOWN, SIDE OPTIONAL.
- $\triangle 4$  MATTE TIN PLATED CONTACT TAILS



SECTION X-X

$\triangle 4$	$\triangle 2$	.370	3.276	3.596	3.736	22	5-531433-4
	$\triangle 2$	.370	3.276	3.596	3.736	22	531433-4
OBSOLETE	$\triangle 1$	.437	6.552	6.872	7.012	43	531433-3
OBSOLETE	$\triangle 1$	.437	5.460	5.780	5.920	36	531433-2
OBSOLETE	$\triangle 1$	.370	3.744	4.064	4.024	25	531433-1
		W	C	B	A	NO OF POSN.	PART NO.

THIS DRAWING IS A CONTROLLED DOCUMENT.		DWN 12MAR79 DEBRA KELLY	<b>TE</b> TE Connectivity	
DIMENSIONS: INCHES		CHK E.P.		
TOLERANCES UNLESS OTHERWISE SPECIFIED:		APVD -	NAME	
0 PLC ± -		PRODUCT SPEC -	HOUSING ASSY, LOW PROFILE	
1 PLC ± -		APPLICATION SPEC -	EDGE CONNECTOR FLOW SOLDER	
2 PLC ± -			FOR .040 DIA HOLE .156x.200 CL	
3 PLC ± -			SIZE	CAGE CODE
4 PLC ± -			A2	00779
ANGLES ± -		WEIGHT	DRAWING NO	RESTRICTED TO
FINISH $\triangle 1$ $\triangle 2$		0.000000	C=531433	-
SEE CALL-OUT		CUSTOMER DRAWING	SCALE 5:1	SHEET 1 OF 1
			REV J	