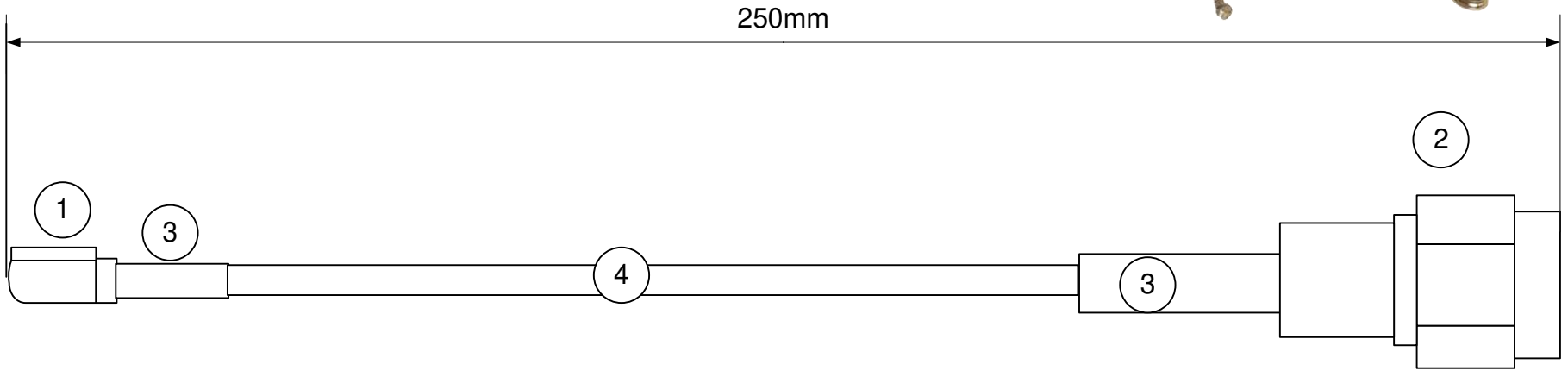


8 7 6 5 4 3 2 1

H  
G  
F  
E  
D  
C  
B  
A



**NOT TO SCALE**

- Notes
1. UFL Female Right Angle
  2. SMA Male
  3. Heatshrink
  4. RG178 Coax Cable

Nominal Impedance: 50ohm  
RoHS compliant

All Dimensions in mm



DESCRIPTION				
Cable Assy UFL(F) to SMA(F) Bulkhead cable				
Assy 250mm				
FILENAME	DRAWN BY	DATE	REVISED	PAGE
CBA-UFLSMAM-25-1.VSD	SKA		13/04/2022	1 of 1
REVISIONS				
ZONE	REV	DESCRIPTION	DATE	APPROVED
N/A	1	First Issue	12/11/15	
	2			
	3			
	4			
	5			
	6			

8 7 6 5 4 3 2 1