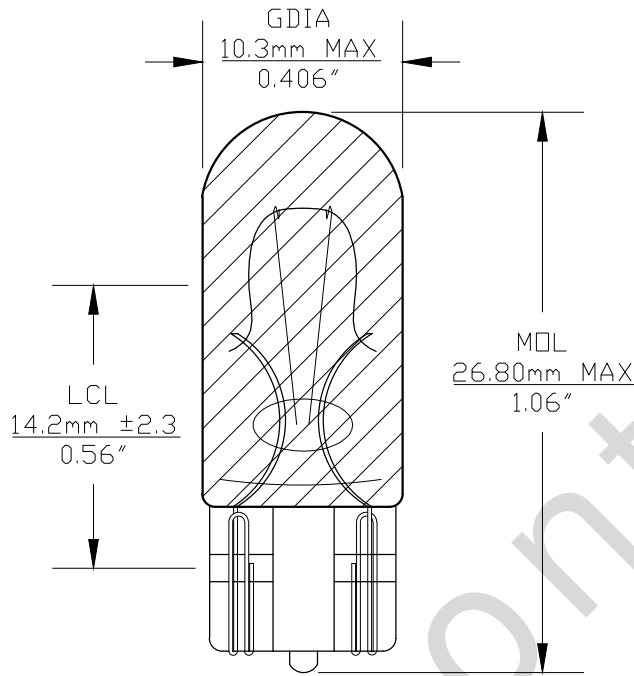


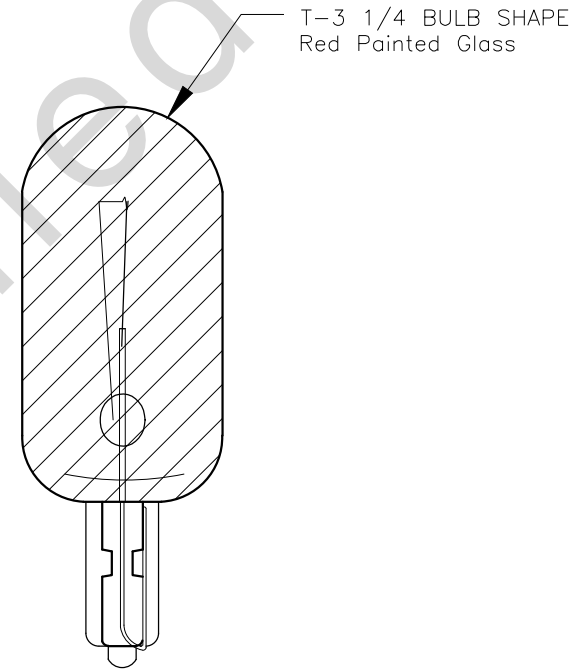


Since 1959

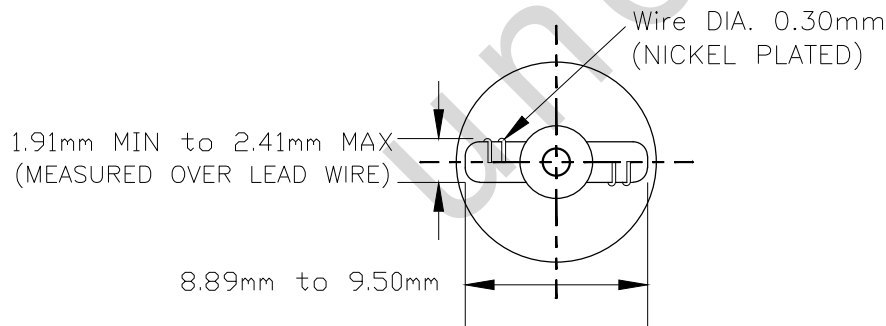
PART NO.	BASE TYPE	DESIGN VOLTS	DESIGN AMPS	MSCD	FILAMENT TYPE	AVERAGE LIFE HOURS	REVISIONS			
							REV #	DESCRIPTION	DATE	APPROVED
194R	Glass Wedge T-3 1/4 (W2.1X9.2d)	14.0V	0.27±10%	1.5±30%	C-2F	1500	1	ISSUED	10/16/2006	D.C.



0° VIEW



90° VIEW



BASE BOTTOM VIEW



UNLESS OTHERWISE SPECIFIED: DIMENSIONS ARE IN INCHES TOLERANCES		CEC INDUSTRIES LTD			
DECIMALS	ANGULAR	599 BOND STREET		LINCOLNSHIRE, IL 60069	
.XX ± .05	± 0.5°	TITLE		LIGHT BULB NO. 194R, RED	
.XXX ± .010	± 1/64	SIZE	FSCM NO.	DWG NO.	REV
FRACTIONAL		A		194R	1
DRAWN	DATE	SCALE	PLOT SCALE	SHEET	
D. CLARK	10/16/2006			1 OF 1	
CHECKED		FILE	DRAWING NOT TO SCALE		
DESIGN		194R.pdf			
MATERIAL					