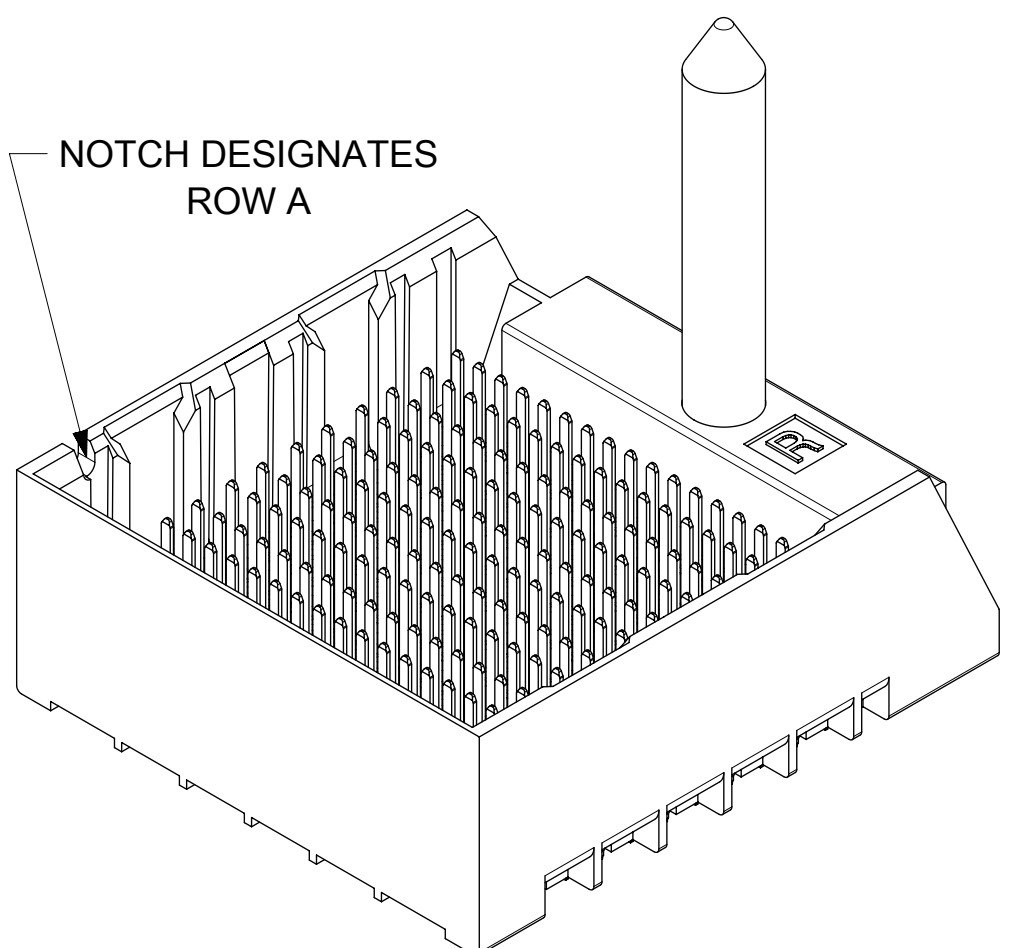
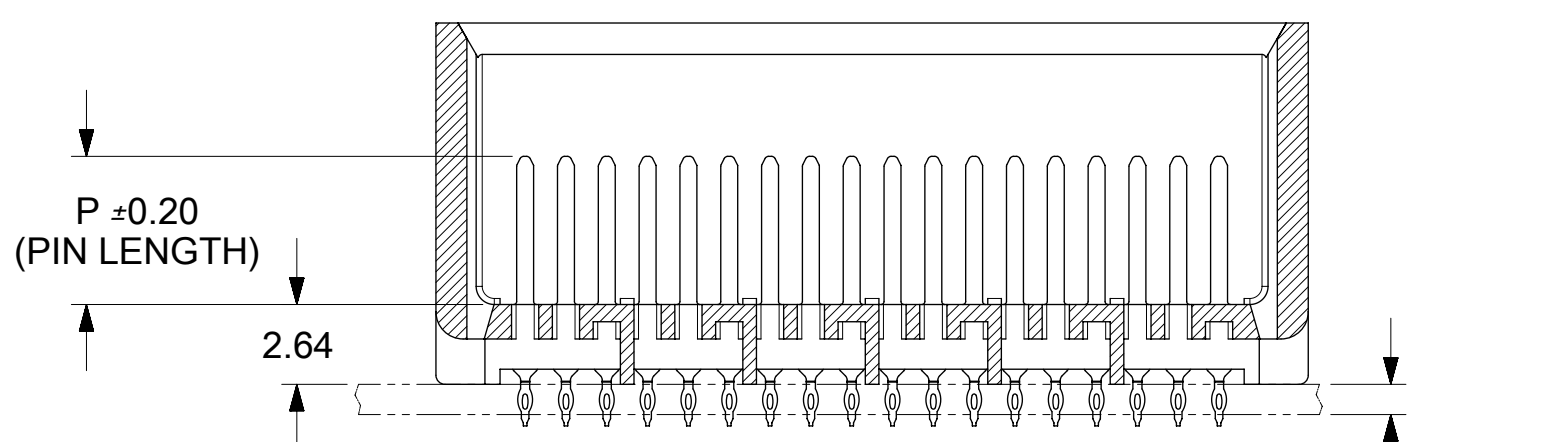


KEEP OUT ZONE  
BACKPLANE HOLE PATTERN  
(CONNECTOR SIDE)  
SEE NOTE 9

SEE PART NUMBER CHART AND  
PART NUMBER LOGIC  
(18 HOLES PER COLUMN)



- NOTES:
1. MATERIALS: HOUSING - LIQUID CRYSTAL POLYMER (LCP)  
GLASS-FILLED, UL94V-0  
TERMINALS - HIGH PERFORMANCE COPPER ALLOY
  2. FINISH: 30μ MIN. GOLD IN CONTACT AREA.  
SELECTIVE TIN ON PCB TAILS. NICKEL OVERALL.
  3. REFER TO MOLEX PRODUCT SPECIFICATION PS-76060-999  
FOR PERFORMANCE SPECIFICATIONS AND ADDITIONAL PCB INFORMATION.
  4. THIS PART CONFORMS TO CLASS B REQUIREMENTS OF  
MOLEX COSMETIC SPEC PS-45499-002.
  5. PACKAGE PER: PK-70873-760.
  6. SEE SHEETS 2 & 3 FOR PART NUMBERS AND BOARD RELATIONSHIPS.
  7. MATES WITH IMPACT ORTHO DC SERIES NO. 76290.
  8. REFER TO MOLEX PCB ROUTING GUIDE AS-76060-990 FOR ANTIPAD AND  
ROUTING RECOMMENDATIONS.
  9. THESE DIMENSIONS REPRESENT THE AREA NEEDED TO ACCOMMODATE  
CONNECTOR INSERTION AND REPAIR ON THE PC BOARD. THIS IS REFERRED  
TO AS THE "CONNECTOR KEEP OUT ZONE" AND DOES NOT REPRESENT THE  
ACTUAL PERIMETER OF THE CONNECTOR. WHEN LAYING OUT A PC BOARD FOR  
CONNECTORS STACKED TOGETHER, USE A 1.9mm PROGRESSION.
  10. CONNECTORS ARE SUPPLIED WITH A 2-56 UNC-2A SCREW

MIGRATED TO NX		GENERAL TOLERANCES (UNLESS SPECIFIED)		DIMENSION UNITS		SCALE		<b>molex</b>	
EC NO: 167486		ANGULAR TOL ± 0.5 °		MM		4:1			
DRWN: ABABU01		4 PLACES ±		DRWN BY		DATE		IMPACT 6 PAIR ORTHO MATE GUIDE RIGHT HEADER ASSY SALES DRAWING	
CHKD: CD		3 PLACES ±		JMENDOZA		2011/10/25			
REV / APPR: GGA		2 PLACES ± 0.13		CHKD BY		DATE		PRODUCT CUSTOMER DRAWING	
A2		1 PLACE ± 0.25		TELO		2011/10/25			
		0 PLACES ±		APPR BY		DATE		SERIES	
		DRAFT WHERE APPLICABLE MUST REMAIN WITHIN DIMENSIONS		TELO		2016/02/22		76289	
				DRAWING SIZE		THIRD ANGLE PROJECTION		MATERIAL NUMBER	
				C				SEE CHART	
								CUSTOMER	
								GENERAL MARKET	
								DOCUMENT NUMBER	
								SD-76289-0003	
								DOC TYPE	
								PSD	
								DOC PART	
								001	
								SHEET NUMBER	
								1 OF 3	

## PART NUMBER CHART

MATERIAL NUMBER	# OF COLUMNS	# OF DIFF. PAIR	DIM. A	DIM. B	OPTION
76289-920*	12	72	32.43	22.15	GUIDE RIGHT END WALL

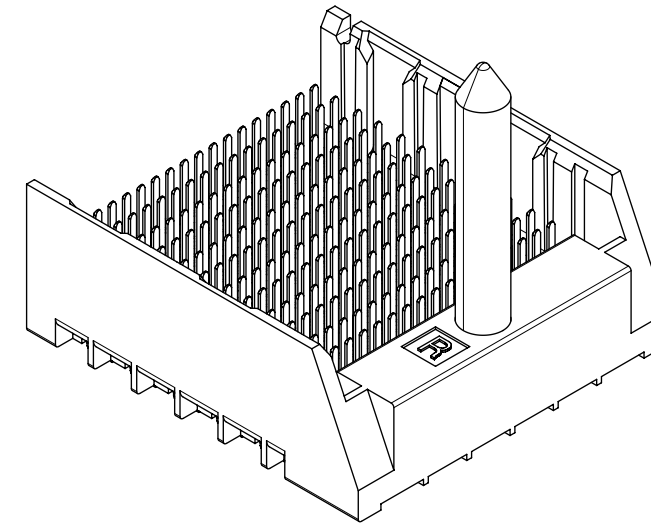
### PART NUMBER LOGIC

76289-920\*

MODULE TYPE  
9 = GUIDE RIGHT ENDWALL, TIN

# OF COLUMNS  
2 = 12 COLUMN

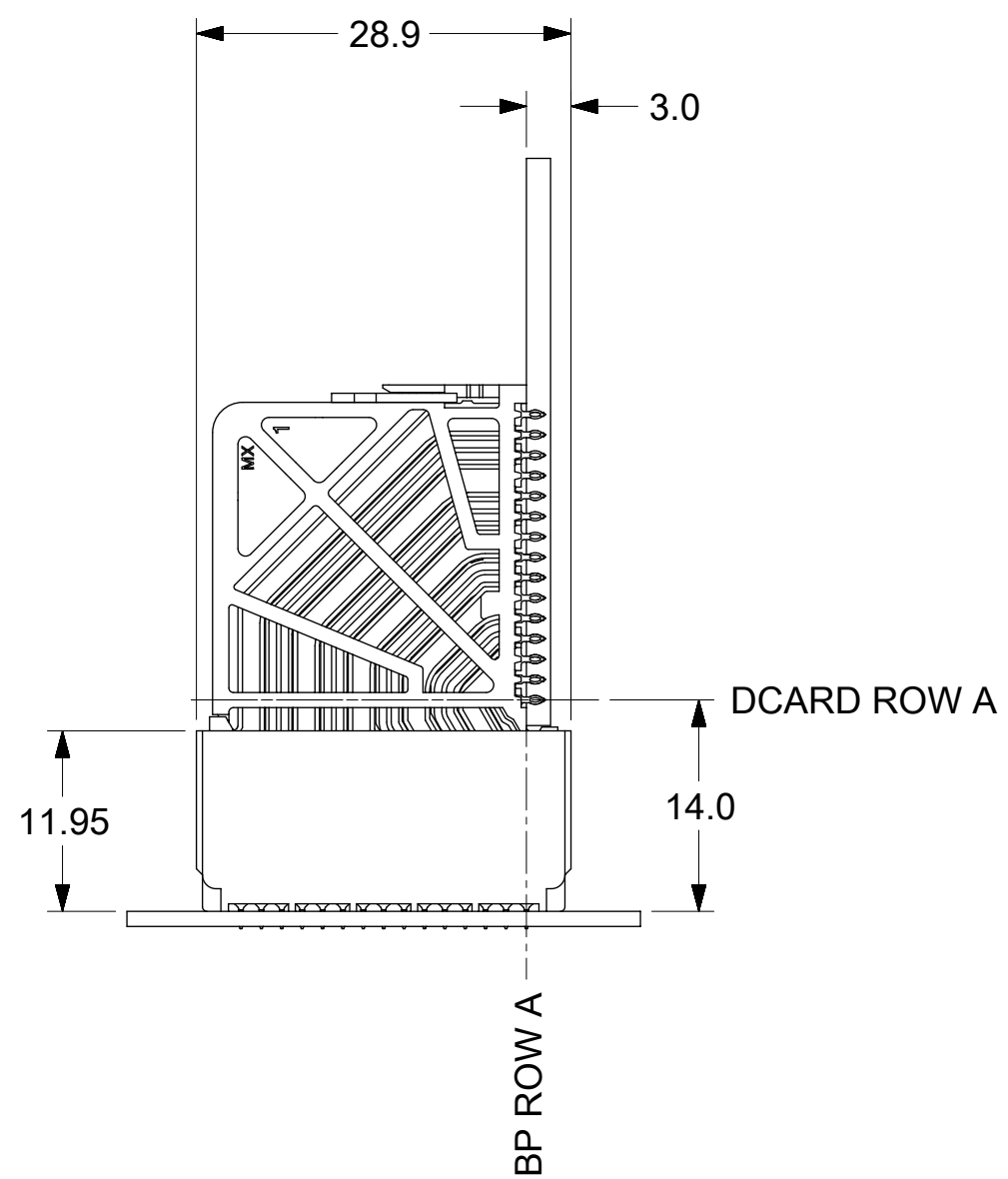
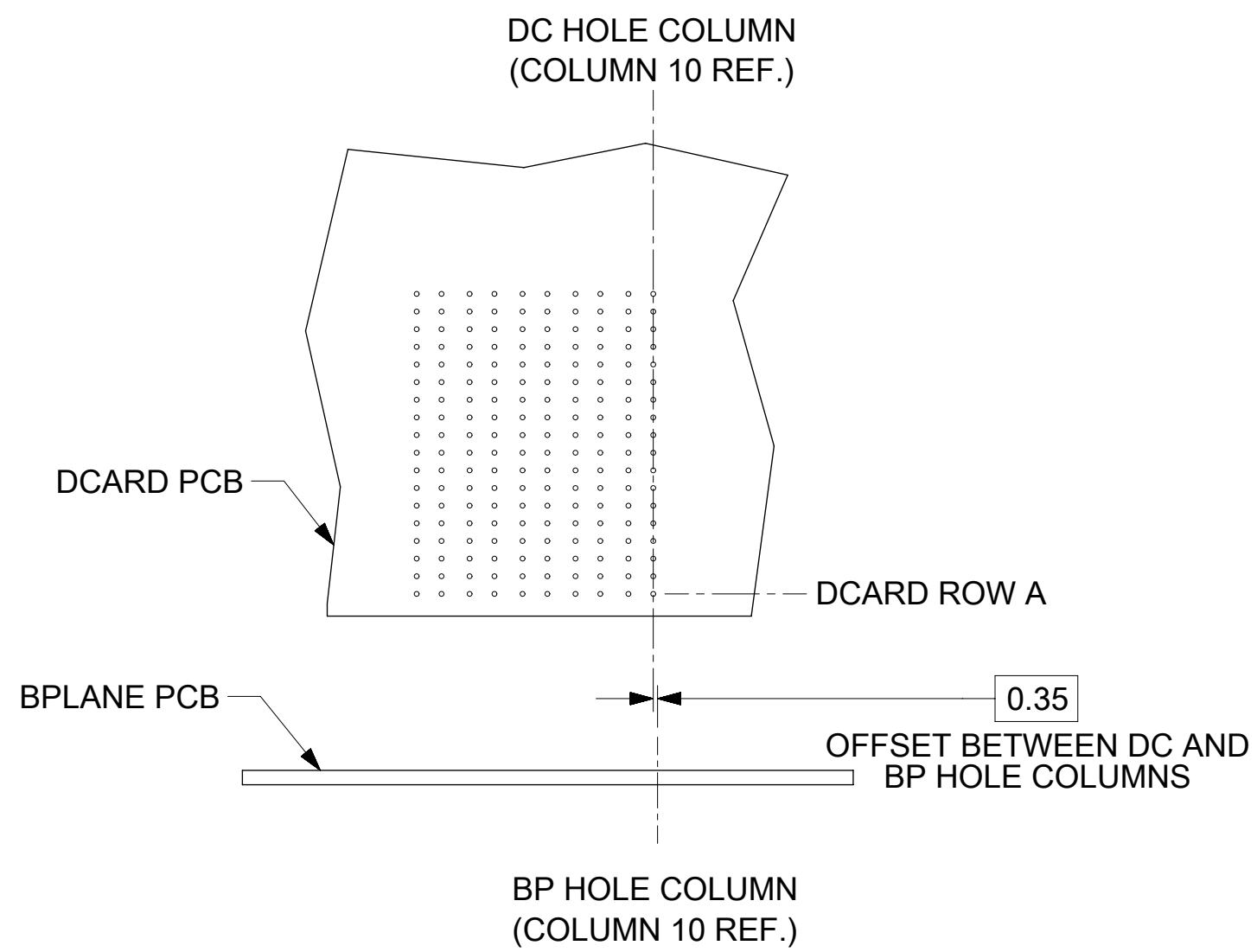
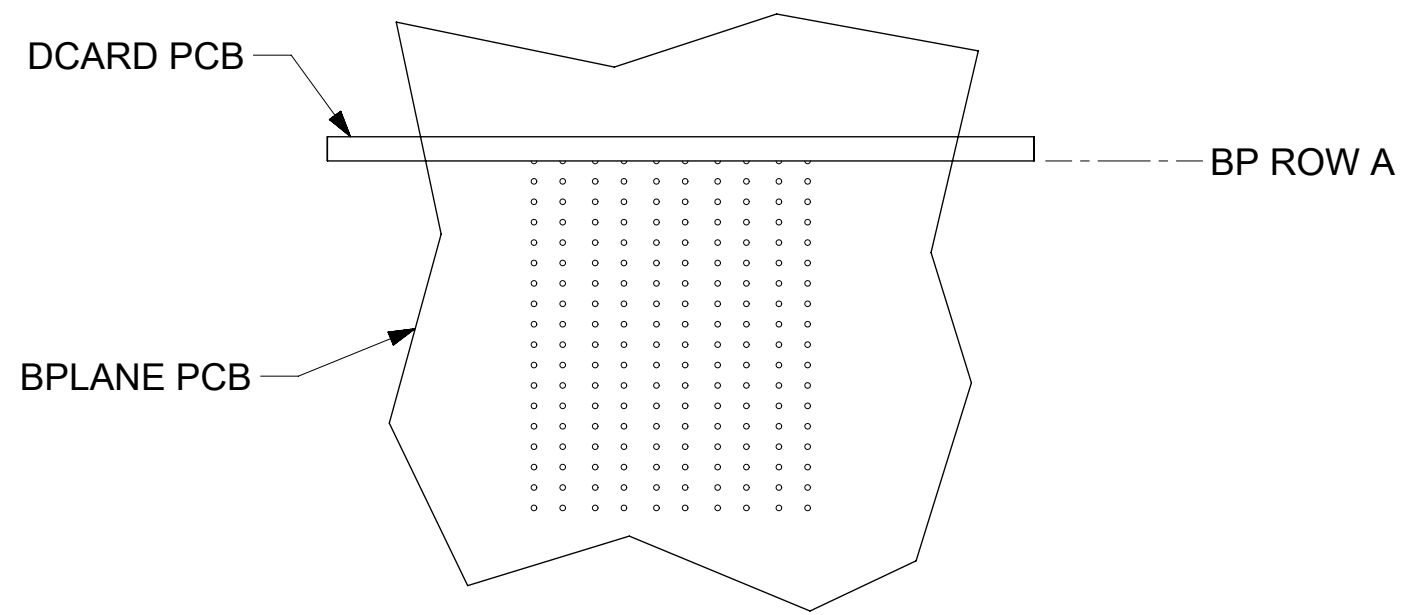
P=PIN LENGTH  
4 = 4.90 (0.46 PTH)  
5 = 5.50 (0.46 PTH)  
7 = 4.90 (0.39 PTH)  
8 = 5.50 (0.39 PTH)



THIS DRAWING CONTAINS INFORMATION THAT IS PROPRIETARY TO MOLEX ELECTRONIC TECHNOLOGIES, LLC AND SHOULD NOT BE USED WITHOUT WRITTEN PERMISSION

MIGRATED TO NX EC NO: 167466 DRWN: ABABU01 CHKD: CD REV / APPR: GGA	2017/10/31	2017/10/31	2017/11/02	GENERAL TOLERANCES (UNLESS SPECIFIED)	DIMENSION UNITS	SCALE		
					ANGULAR TOL ± 0.5 °	MM		2:1
					4 PLACES ±	DRWN BY		DATE
					3 PLACES ±	JMENDOZA		2011/10/25
					2 PLACES ± 0.13	CHKD BY		DATE
					1 PLACE ± 0.25	TELO		2011/10/25
				0 PLACES ±	APPR BY	DATE		
				DRAFT WHERE APPLICABLE MUST REMAIN WITHIN DIMENSIONS	TELO	2016/02/22		
				DRAWING SIZE	THIRD ANGLE PROJECTION			
				C			PRODUCT CUSTOMER DRAWING	
				SERIES		MATERIAL NUMBER	CUSTOMER	
				76289		SEE CHART	GENERAL MARKET	
				DOCUMENT NUMBER		DOC TYPE	DOC PART	
				SD-76289-0003		PSD	001	
						SHEET NUMBER	2 OF 3	

# IMPACT 6 PAIR ORTHO MATE BOARD RELATIONSHIPS



THIS DRAWING CONTAINS INFORMATION THAT IS PROPRIETARY TO MOLEX ELECTRONIC TECHNOLOGIES, LLC AND SHOULD NOT BE USED WITHOUT WRITTEN PERMISSION

MIGRATED TO NX EC NO: 167466 DRWN: ABABU01 CHKD: CD REV / APPR: GGA	2017/10/31 2017/10/31 2017/11/02		GENERAL TOLERANCES (UNLESS SPECIFIED)		DIMENSION UNITS <b>MM</b>	SCALE <b>2:1</b>				
	ANGULAR TOL ± 0.5 °		DRWN BY <b>JMENDOZA</b>		DATE <b>2011/10/25</b>					IMPACT 6 PAIR ORTHO MATE GUIDE RIGHT HEADER ASSY SALES DRAWING
	4 PLACES ±		CHKD BY <b>TELO</b>		DATE <b>2011/10/25</b>		PRODUCT CUSTOMER DRAWING			
	3 PLACES ±		APPR BY <b>TELO</b>		DATE <b>2016/02/22</b>					SERIES <b>76289</b>
2 PLACES ± 0.13		DRAFT WHERE APPLICABLE MUST REMAIN WITHIN DIMENSIONS		DRAWING SIZE <b>C</b>	THIRD ANGLE PROJECTION	DOCUMENT NUMBER <b>SD-76289-0003</b>		DOC TYPE <b>PSD</b>	DOC PART <b>001</b>	SHEET NUMBER <b>3 OF 3</b>
1 PLACE ± 0.25										
0 PLACES ±										