

⑦ LOCKING LEVER

⑥ REAR SEAL COVER

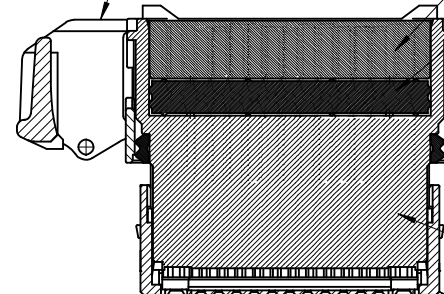
⑤ GROMMET SEAL

④ PERIMETER SEAL

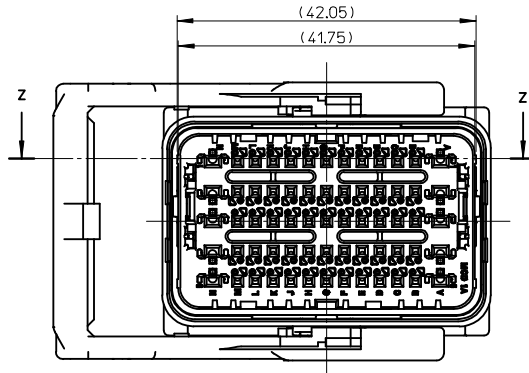
③ SEAL PROTECTOR

① TOP HOUSING

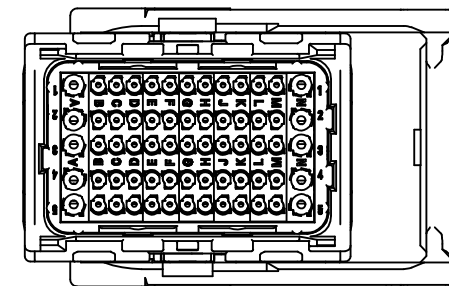
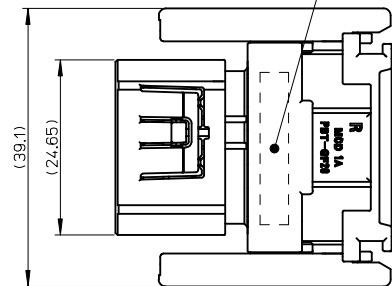
② SECONDARY LOCKING



SECTION Z-Z



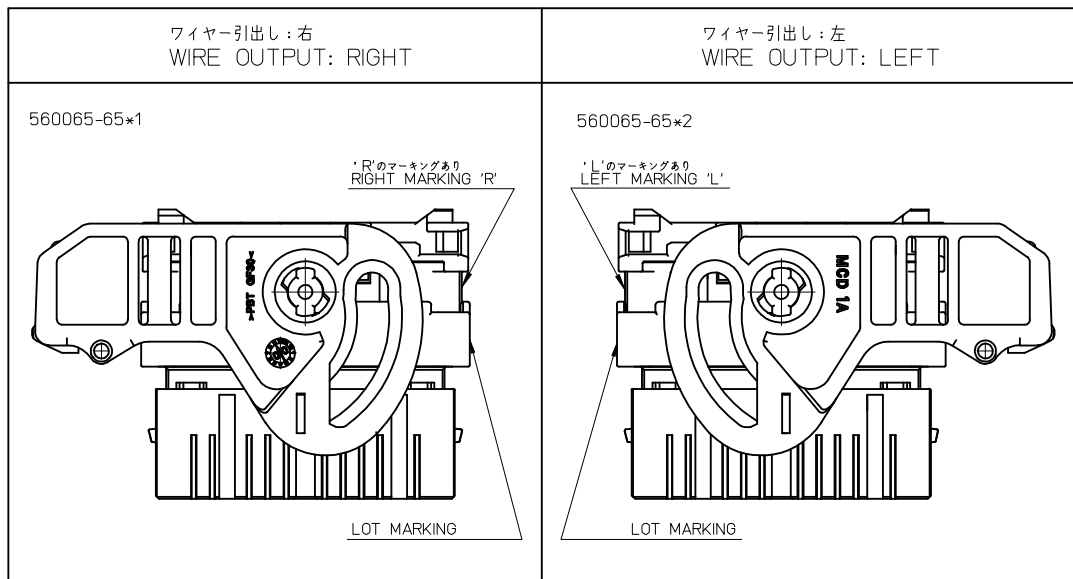
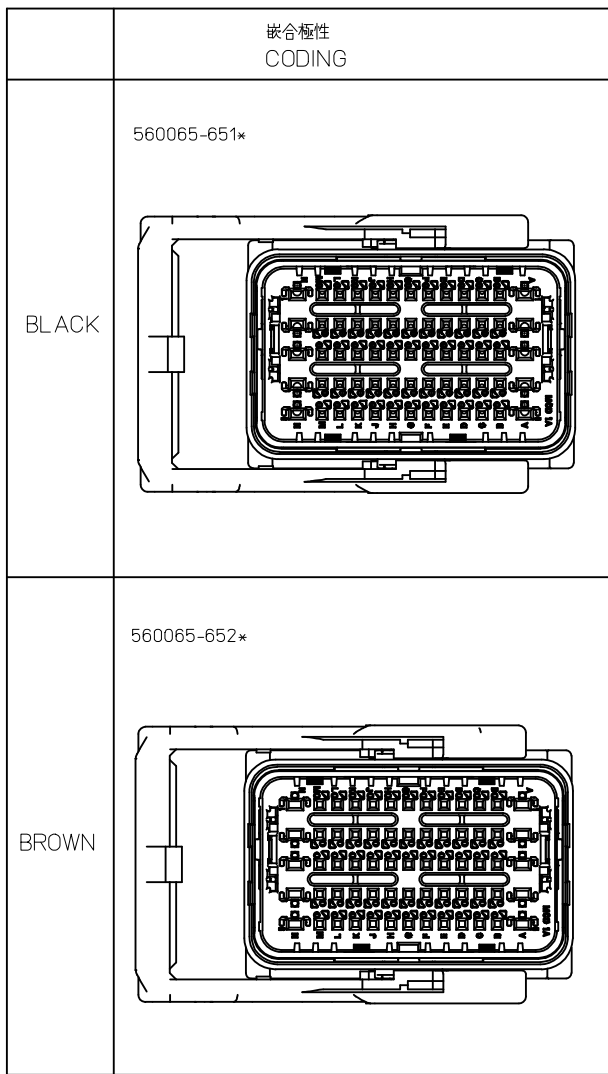
LOT MARKING : MATERIAL No. / DATE / SHIFT



① TOP HOUSING	PBT G.F.	BLACK
② SECONDARY LOCKING	PBT G.F.	BLACK / BROWN
③ SEAL PROTECTOR	PBT G.F.	BLACK
④ PERIMETER SEAL	SILICONE	BLUE
⑤ GROMMET SEAL	SILICONE	BLUE
⑥ REAR SEAL COVER	PBT G.F.	BLACK
⑦ LOCKING LEVER	PBT G.F.	DARK GRAY
部品名 PART NAME	材質 MATERIAL	色 COLOR

左 LEFT	560065-6522	BROWN	PRODUCTION
	560065-6512	BLACK	PRODUCTION
右 RIGHT	560065-6521	BROWN	PRODUCTION
	560065-6511	BLACK	PRODUCTION
ワイヤー引き出し方向(レバー方向) WIRE OUTPUT(LEVER DIRECTION)	型番 MATERIAL NO.	嵌合極性 CODING	PRODUCT STATUS

MIGRATED FROM SD-560065-002 EC NO: JTR2016-0044 DRW: INOUE02 2015/11/11 CHK: SANDO 2015/11/12 APPR: MAYAMOTO 2015/11/20	DESCRIPTION [REDACTED]	GENERAL TOLERANCES (UNLESS SPECIFIED)		DIMENSION STYLE		SCALE		DESIGN UNITS		TITLE CMX CONNECTOR 65WAY ASSY  <b>molex</b> DOCUMENT NO. RSD-560065-002 SHEET NO. 1 OF 2
				MM ONLY		2:1		METRIC		
				ANGULAR ± 1°		DRAWN BY DATE		THIRD ANGLE PROJECTION		
				DRAFT WHERE APPLICABLE MUST REMAIN WITHIN DIMENSIONS		SINAOKA 2011/03/07				
				CHECKED BY DATE						
				SANDO 2011/03/09						
				APPROVED BY DATE						
				MAYAMOTO 2015/11/20						
				MATERIAL NO.						
				SEE TABLE						



<適応端子と適応電線サイズ> <APPLICABLE TERMINAL AND WIRE SIZE>

回路 CIRCUIT	適応端子 APPLICABLE TERMINAL	品番 PART NO.	電線サイズ APPLICABLE WIRE SIZE	電線被覆外径 (mm) INSULATION DIAMETER
信号部	CTX64 TERMINAL	34803-3211	AVSS / CAVS 0.3sq	1.4 - 1.5
		34803-3212	AVSS / CAVS 0.5 - 0.85sq	1.6 - 1.9
電源部	CTX150 TERMINAL	34805-0111	AVSS / CAVS 0.5sq	1.6 - 1.7
		34805-0112	AVSS / CAVS 0.85 - 1.25sq	1.8 - 2.2
		34805-0113	AVSS / CAVS 1.25 - 2sq	2.1 - 2.7

注記 / NOTES

- 適応端子 / APPLICABLE TERMINAL  
信号部 / SIGNAL  
CTX64 TERMINAL 34803-3211, 34803-3212  
電源部 / POWER  
CTX150 TERMINAL 34805-0111, 34805-0112, 34805-0113
- 適合ワイヤーキャップ / APPLICABLE WIRE CAP : 502730-0001
- 取り扱い説明書 / APPLICATION SPECIFICATION: RAS-560065-001
- ELV及びRoHS適合品  
ELV AND RoHS COMPLIANT

MIGRATED FROM SD-560065-002	DESCRIPTION
EC NO: JTR2016-0044	
DRWN:KINUE02 2015/11/11	
CHKD:SANDO 2015/11/12	
APPR:MAYAMOTO 2015/11/20	
REV	

GENERAL TOLERANCES (UNLESS SPECIFIED)	
	mm INCH
4 PLACES	± 0.15 ± 0.006
3 PLACES	± 0.20 ± 0.008
2 PLACES	± 0.25 ± 0.010
1 PLACE	± 0.30 ± 0.012
0 PLACE	± 0.35 ± 0.014
ANGULAR ± 1°	
DRAFT WHERE APPLICABLE MUST REMAIN WITHIN DIMENSIONS	

DIMENSION STYLE MM ONLY	
DRAWN BY	DATE
SINAOKA	2011/03/07
CHECKED BY	DATE
SANDO	2011/03/09
APPROVED BY	DATE
MAYAMOTO	2015/11/20
MATERIAL NO.	DOCUMENT NO.
SEE TABLE	RSD-560065-002

SCALE 2:1	DESIGN UNITS METRIC	THIRD ANGLE PROJECTION
TITLE CMX CONNECTOR 65WAY ASSY		
molex		
SHEET NO. 2 OF 2		

CONFIDENTIAL