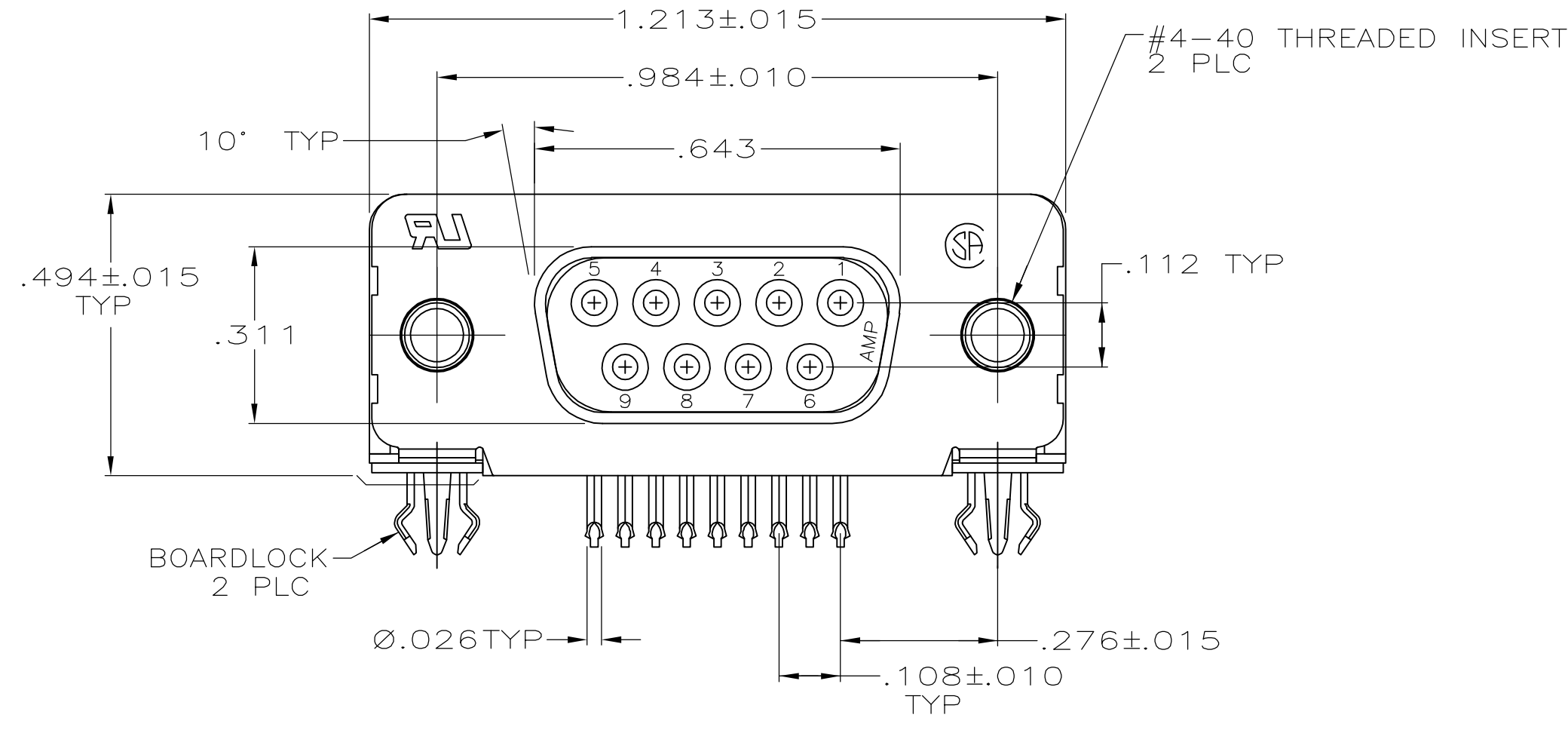
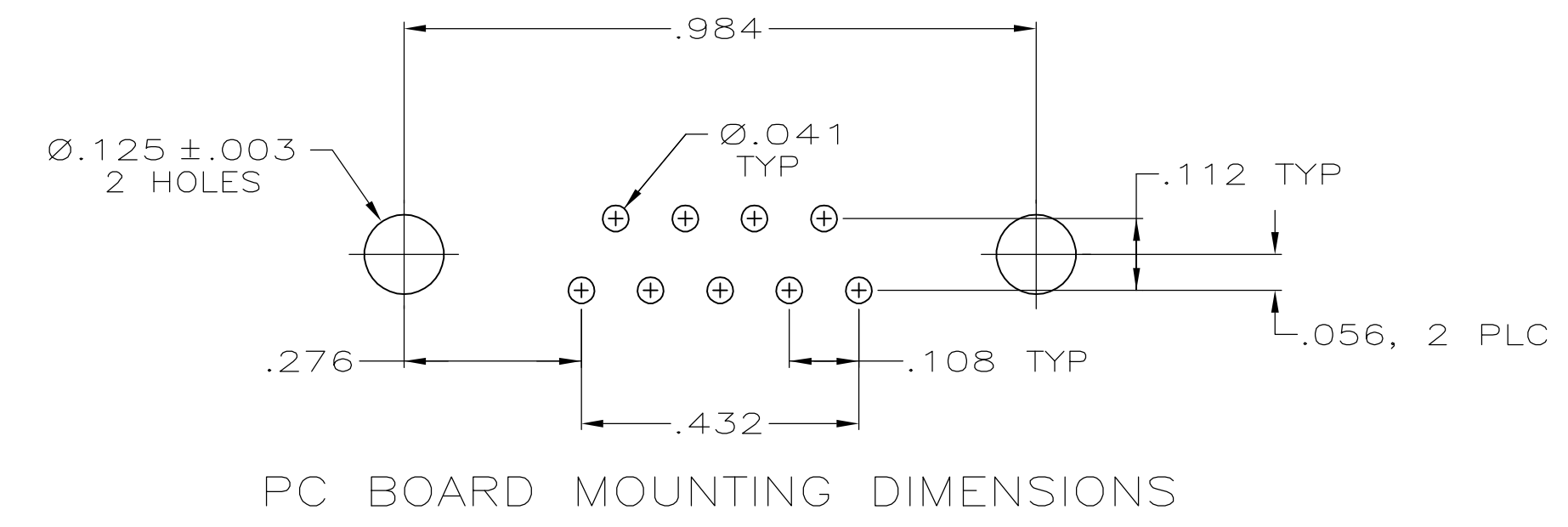
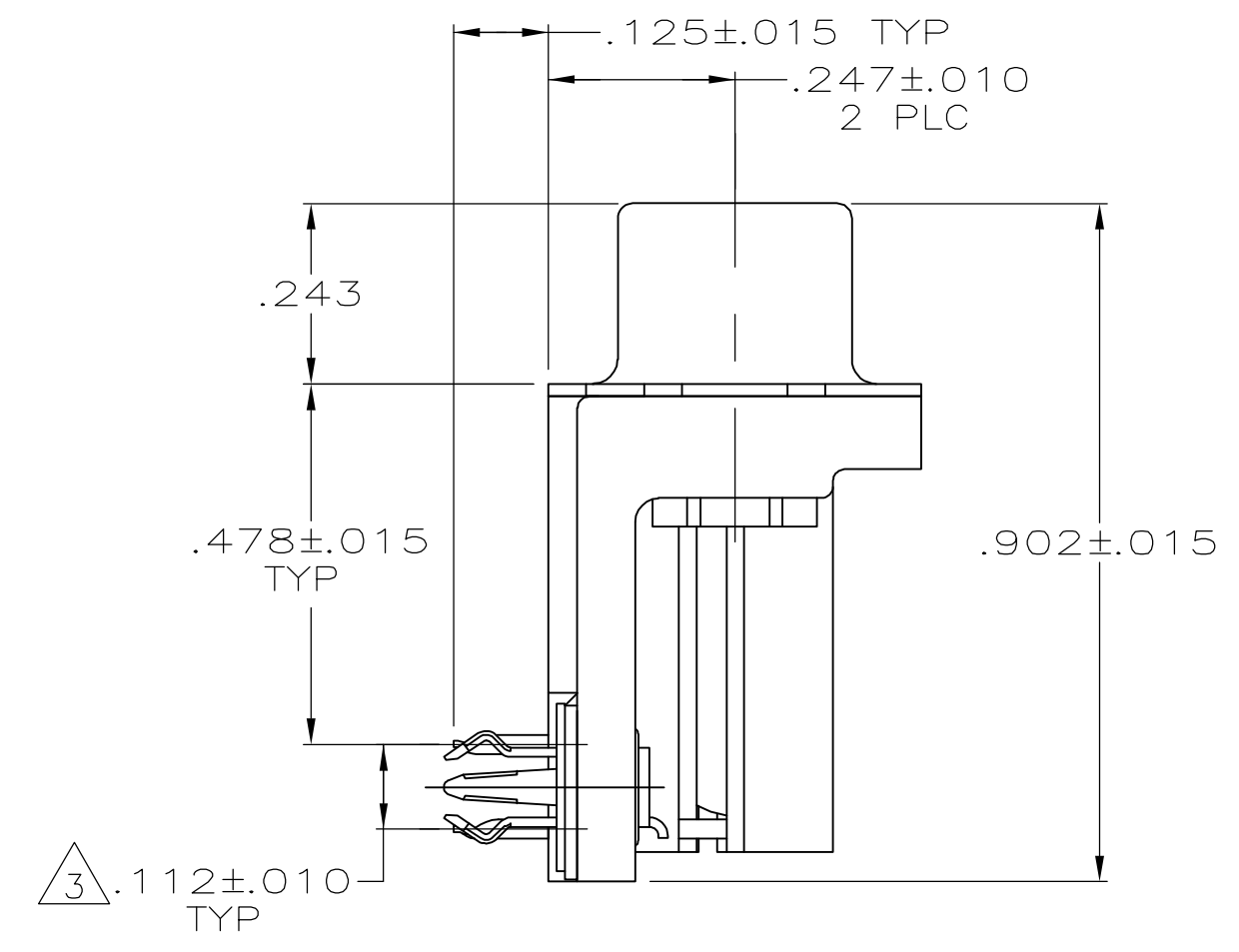
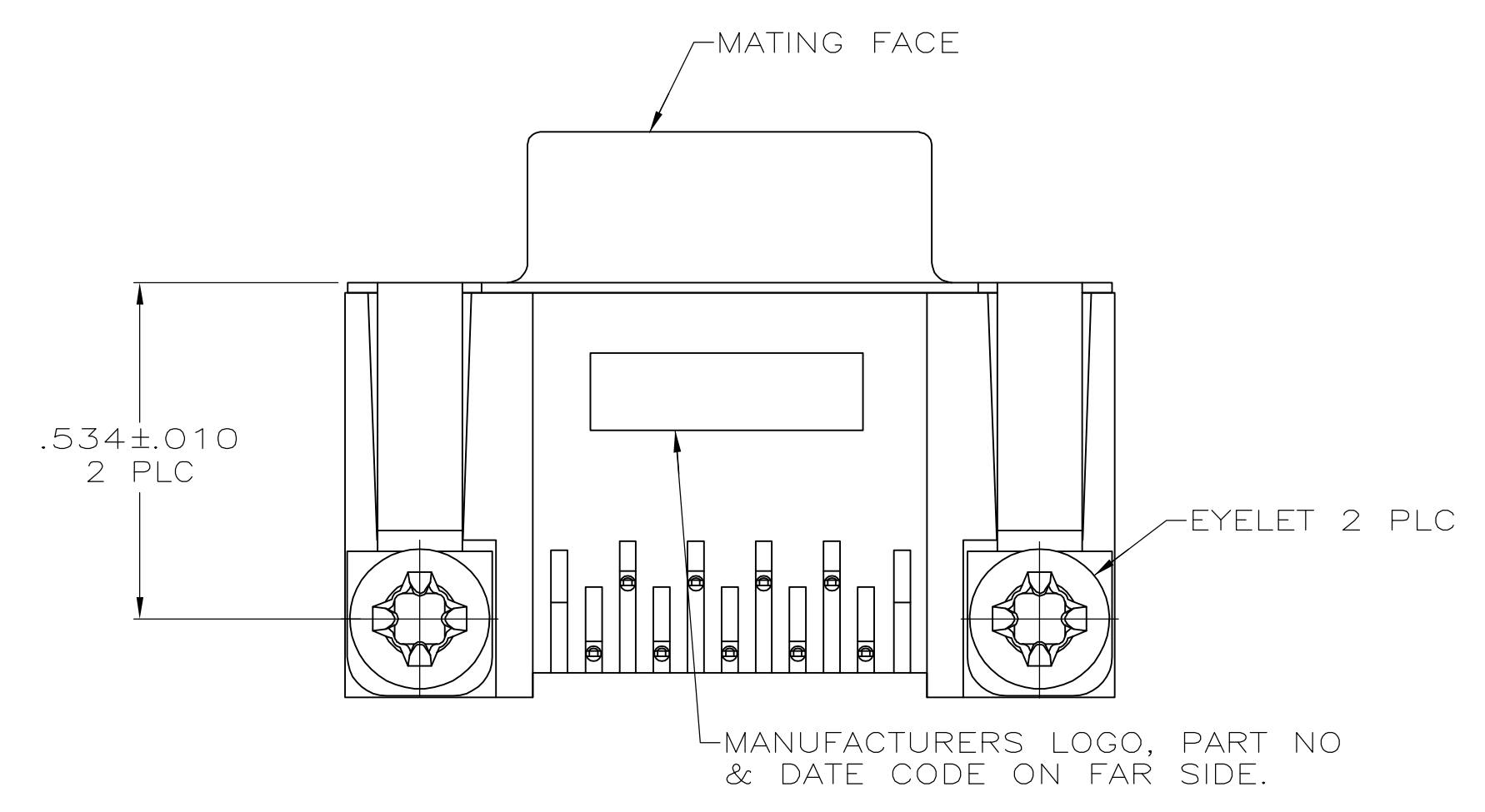


LOC		DIST		REVISIONS				
P	LFR	DESCRIPTION	DATE	DWN	APPV			
0		RELEASED PER EC 0513-0016-05	04-07-05	LV	JG			



- 1 MOLDED PARTS: FLAME RETARDANT 94V-0 RATED THERMOPLASTIC, BLACK.
SHELL: CARBON STEEL
CONTACTS: PHOSPHOR BRONZE
EYELETS: BRASS
INSERTS: ZINC
BOARDLOCKS: COPPER ALLOY
- 2 SHELL: .000100 MIN TIN OVER .000050 MIN COPPER.
CONTACTS: .000030 MIN GOLD FOR A DISTANCE OF .100 MIN FROM MATING END, .000100 MIN TIN ON TERMINATION END, ALL OVER .000050 MIN NICKEL ON ENTIRE CONTACT.
EYELETS: .000100 MIN TIN OVER COPPER FLASH.
BOARDLOCKS: .000150 MIN TIN OVER .000050 MIN NICKEL.
INSERTS: CLEAR CHROMATE
- 3 DIMENSION APPLIES TO CENTER LINE OF CONTACTS.



5747852-4
PART NUMBER

**COPYRIGHT 2005
TYCO ELECTRONICS CORP
ALL RIGHTS RESERVED**

THIS DRAWING IS A CONTROLLED DOCUMENT.		DWN: L. VARELA - 04-07-05	Tyco Electronics Corporation Harrisburg, PA 17105-3608
DIMENSIONS: INCHES		CHK: S. BOLASH 04-07-05	
TOLERANCES UNLESS OTHERWISE SPECIFIED:		APPV: M. WALMSLEY 04-07-05	
0 PLC ± - 1 PLC ± - 2 PLC ± - 3 PLC ± .005 4 PLC ± - ANGLES ± - FINISH ± -	NAME: 108-40025 APPLICATION SPEC: 114-40010 WEIGHT: -	PRODUCT SPEC: 108-40025 APPLICATION SPEC: 114-40010	RECEPTACLE ASSEMBLY, SIZE 1, RIGHT ANGLE, .478 SERIES, FRONT METAL SHELL, .026 DIA POSTS, BOARDLOCKS, AMPLIMITE HD-20
MATERIAL: 1		SIZE: A1	CAGE CODE: 00779 DRAWING NO: 5747852 RESTRICTED TO: - CUSTOMER DRAWING
		SCALE: 4:1	SHEET: 1 OF 1 REV: 0