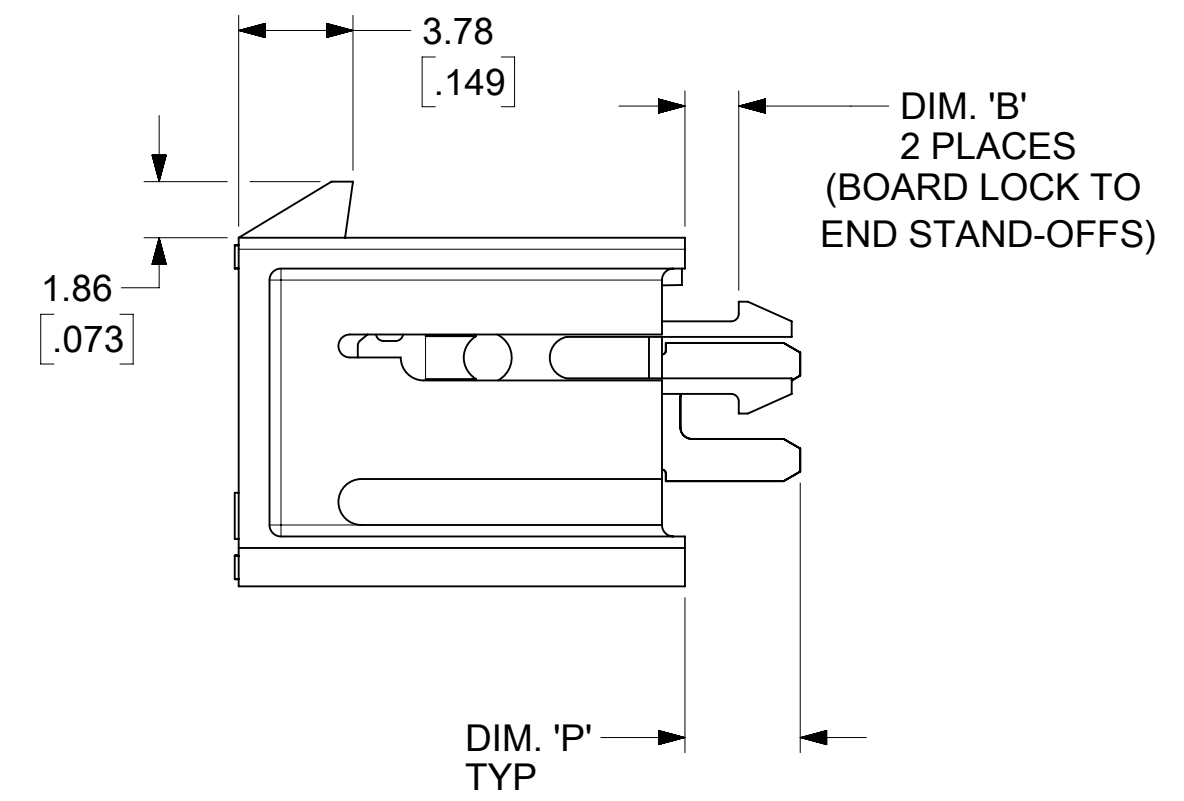
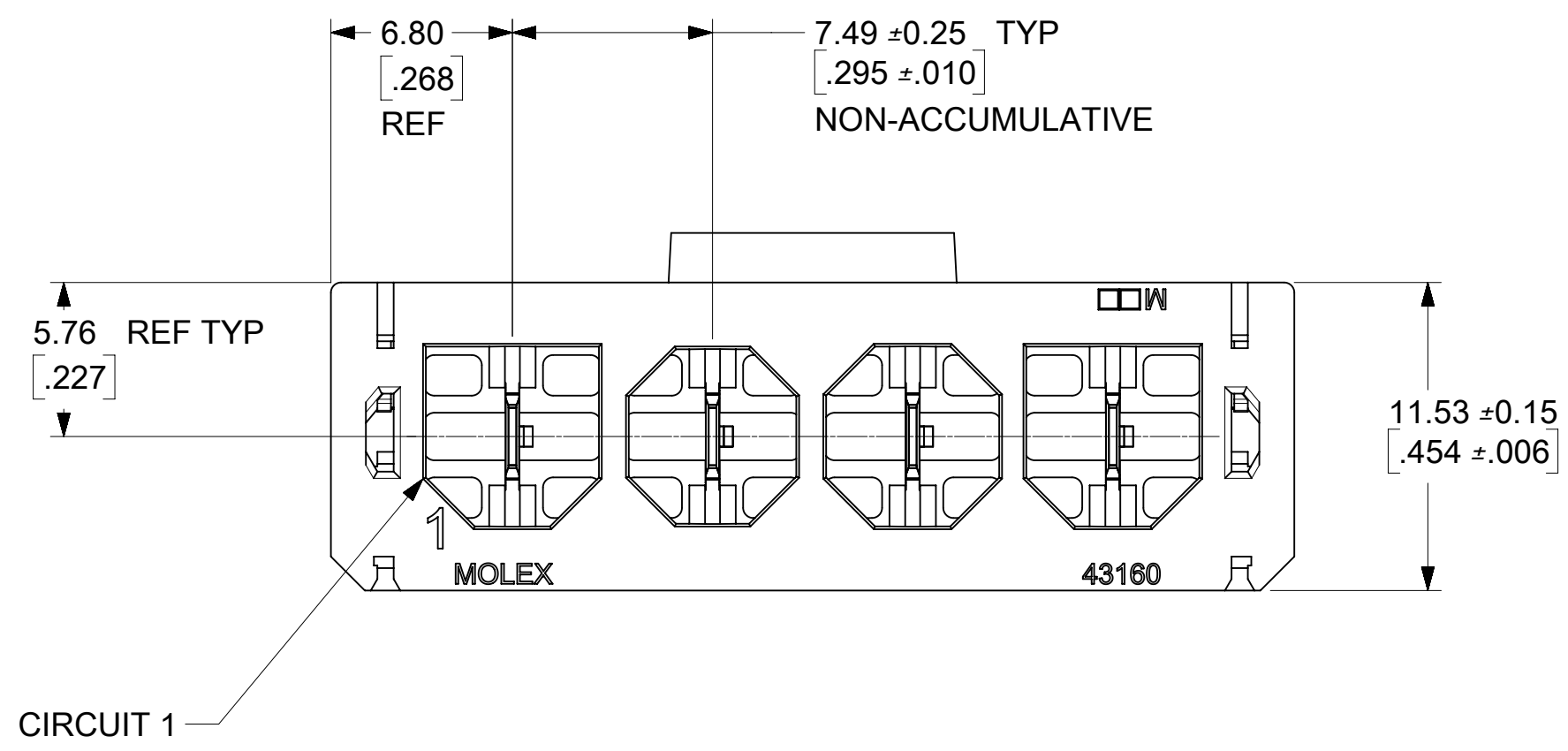
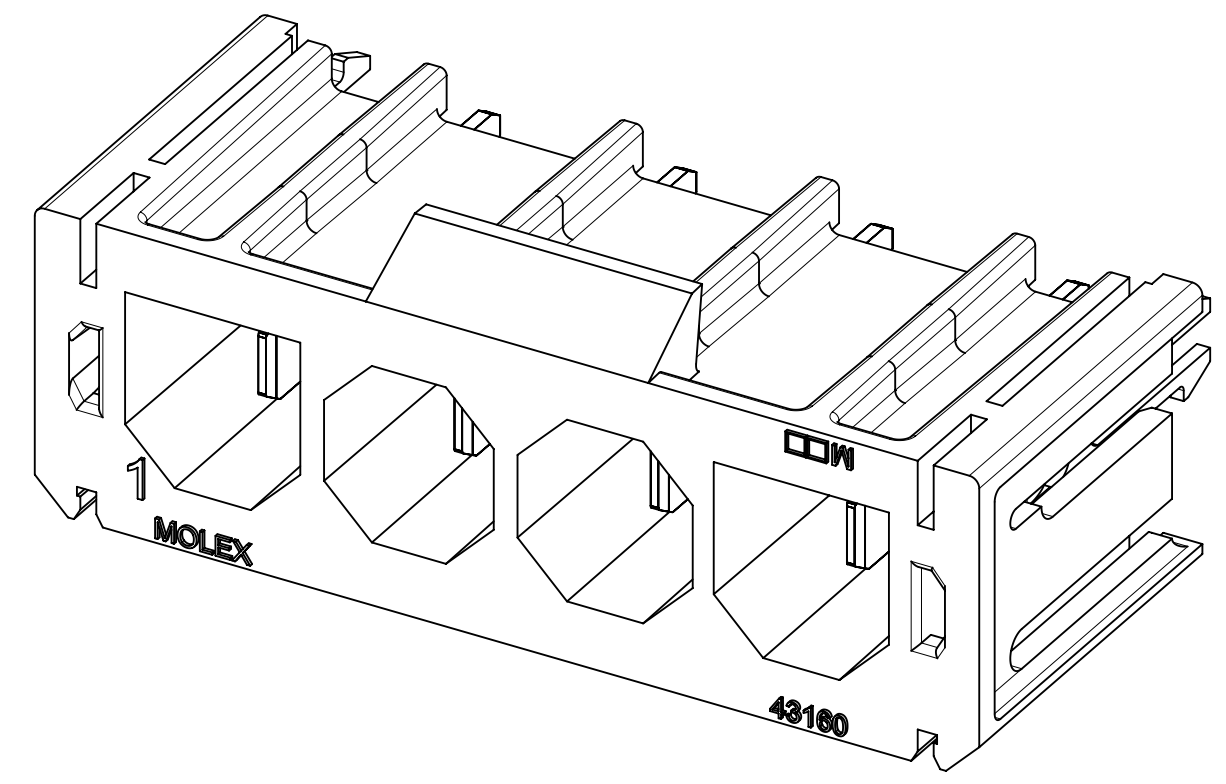
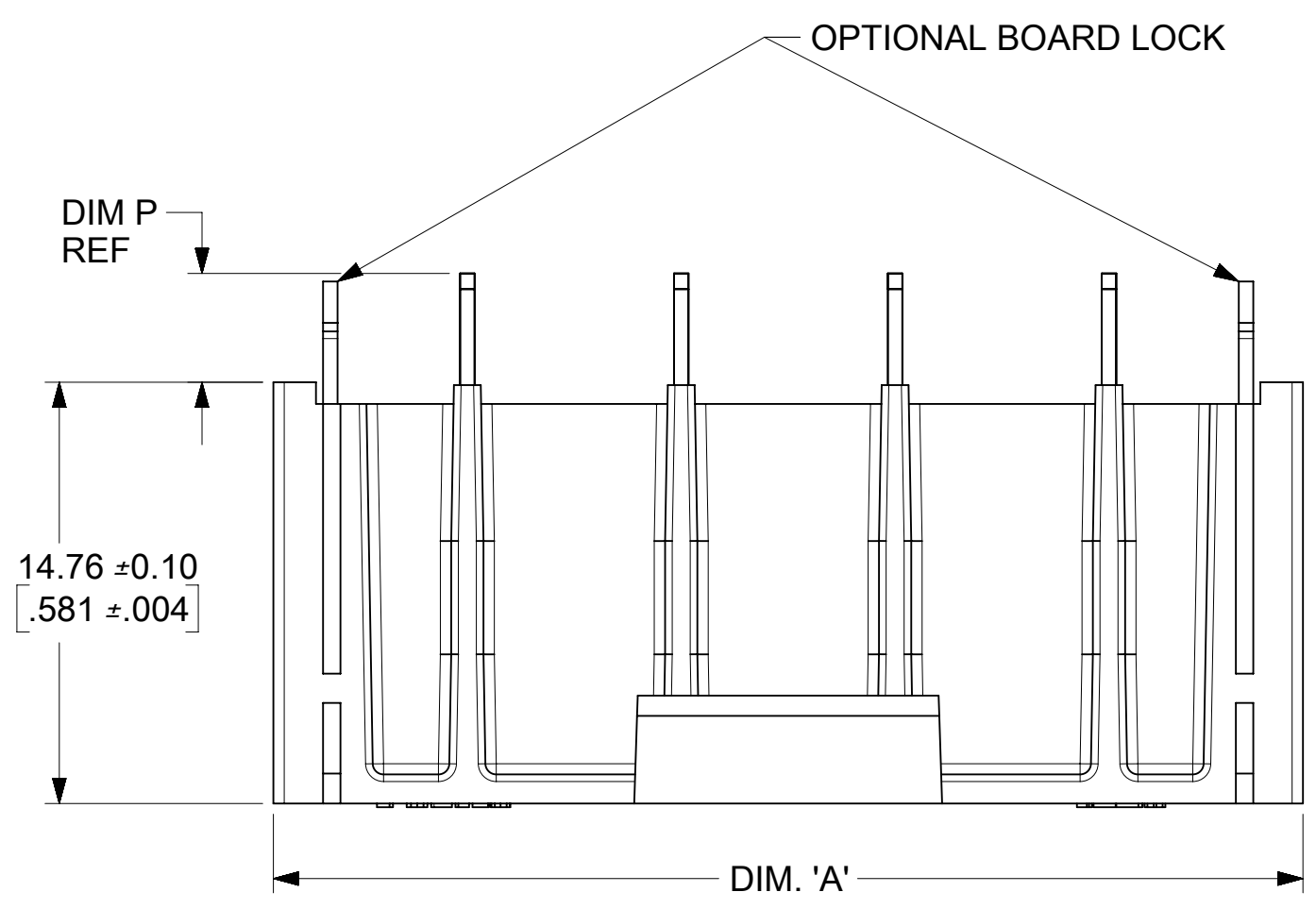


CIRCUITS	DIM. 'A' ± $\frac{0.33}{.013}$
2	$\frac{21.08}{.830}$
3	$\frac{28.58}{1.125}$
4	$\frac{36.07}{1.420}$
5	$\frac{43.56}{1.715}$
6	$\frac{51.05}{2.010}$
8	$\frac{66.04}{2.600}$

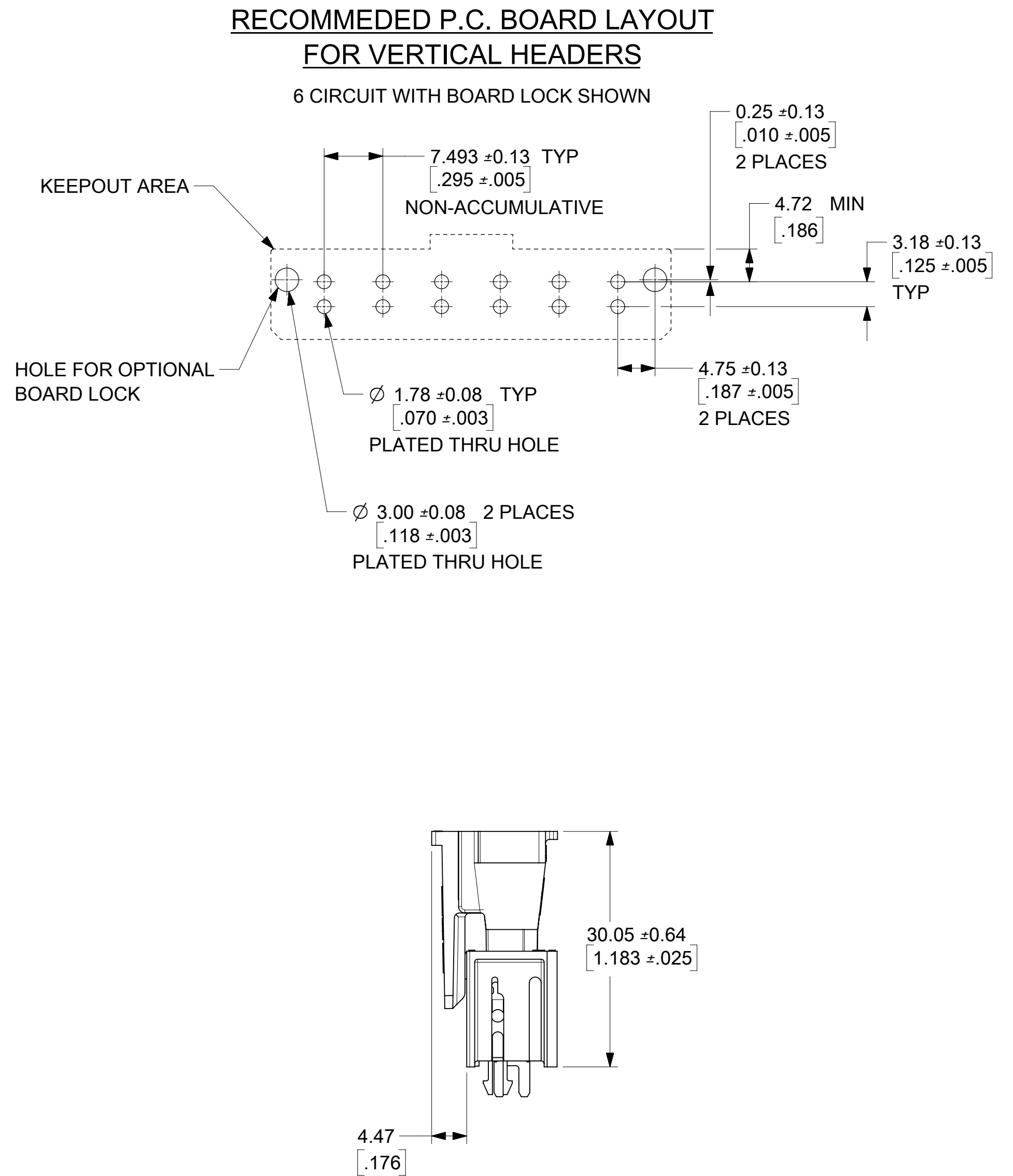


- INSULATOR MATERIAL: 30% GLASS FILLED 4/6 NYLON UL94V-0, COLOR: BLACK
TERMINAL MATERIAL : BRASS
- TERMINAL FINISH: OVERALL REFLOWED MATTE TIN: 0.00152/.000060 MIN OVER 0.00127/.000050 MIN NICKEL.
- PRODUCT SPECIFICATION PS-44441-9999.
- PACKAGING: SEE CHART
- THIS HEADER MATES WITH 44441 OR 43335 SERIES RECEPTACLE HOUSINGS.
- HEADERS INDICATED AS "FINGER-PROOF" ARE DESIGNED TO MINIMIZE ACCESSIBILITY TO LIVE PARTS, PER UL1977 AND UL60950 (FORMERLY UL1950) FINGER PROBE REQUIREMENTS.
- THIS PART CONFORMS TO CLASS B REQUIREMENTS OF MOLEX COSMETIC SPECIFICATION PS-45499-002
- PARTS LISTED ON THIS DRAWING ARE CONSTRUCTED TO MEET THE REQUIREMENTS FOR DIRECT SUPPORT OF UNINSULATED LIVE PARTS AS DESCRIBED IN UL508C.
- TEXT ON PART IS FOR REFERENCE ONLY. TEXT AND TEXT LOCATION MAY VARY DEPENDING ON PART NUMBER AND/OR TOOL.
- PART DESIGNED IN INCHES.

SHEETS 1 AND 2: VERTICAL HEADERS
SHEETS 3 AND 4: RIGHT ANGLE HEADERS
SHEET 5: POLARIZATION

THIS DRAWING CONTAINS INFORMATION THAT IS PROPRIETARY TO MOLEX ELECTRONIC TECHNOLOGIES, LLC AND SHOULD NOT BE USED WITHOUT WRITTEN PERMISSION									
SYMBOLS		DIMENSION UNITS		SCALE		CURRENT REV DESC: RELEASED			
▽ = 0		IN/MM		4:1		EC NO: 623888 DRWN: MKIPPER 2019/09/11 CHK'D: DSTEIER 2019/09/13 APPR: FSMITH 2019/09/17 INITIAL REVISION: DRWN: MKIPPER 2019/09/11 APPR: FSMITH 2019/09/17			
▽ = 0		GENERAL TOLERANCES (UNLESS SPECIFIED)							
▽ = 0									
▽ = 0		4 PLACES ±		MM		INCH		PRODUCT CUSTOMER DRAWING	
▽ = 0		3 PLACES ±		± 0.005				DOCUMENT NUMBER	
▽ = 0		2 PLACES ±		± 0.13		± 0.01		DOC TYPE	
▽ = 0		1 PLACE ±		± 0.25		±		DOC PART	
▽ = 0		0 PLACES ±		±				REVISION	
▽ = 0		ANGULAR TOL ± 0.5 °						460070001-SD	
▽ = 0		DRAFT WHERE APPLICABLE MUST REMAIN WITHIN DIMENSIONS		THIRD ANGLE PROJECTION		DRAWING		MATERIAL NUMBER	
						C-SIZE		CUSTOMER	
						46007		GENERAL MARKET	
								SHEET NUMBER	
								1 OF 5	

VERTICAL HEADER ASSEMBLIES					
ASSEMBLY PART NO.	CIRCUITS	DIM. 'P' ± $\frac{0.51}{.020}$	BOARD LOCK	DIM. 'B' ± $\frac{0.10}{.004}$	PACKAGING SPEC.
46007-0102	2	3.81/(.150) (SHORT TAIL)	NO	N/A	PK-43160-0010
46007-0103	3				
46007-0104	4				
46007-0105	5				
46007-0106	6				
46007-0108	8				
46007-0302	2	5.33/(.210) (LONG TAIL)	NO	N/A	PK-43789-001
46007-0303	3				
46007-0304	4				
46007-0305	5				
46007-0306	6				
46007-0308	8				
46007-2102	2	3.81/(.150) (SHORT TAIL)	YES	1.78/(.070) FOR 1.57/(.062) PCB	PK-43789-001
46007-2103	3				
46007-2104	4				
46007-2105	5				
46007-2106	6				
46007-2108	8				
46007-4102	2	3.81/(.150) (SHORT TAIL)	YES	2.59/(.102) FOR 2.39/(.094) PCB	PK-43789-001
46007-4103	3				
46007-4104	4				
46007-4105	5				
46007-4106	6				
46007-4108	8				
46007-4302	2	5.33/(.210) (LONG TAIL)	YES	2.59/(.102) FOR 2.39/(.094) PCB	PK-43789-001
46007-4303	3				
46007-4304	4				
46007-4305	5				
46007-4306	6				
46007-4308	8				
46007-6302	2	5.33/(.210) (LONG TAIL)	YES	3.38/(.133) FOR 3.18/(.125) PCB	PK-43789-001
46007-6303	3				
46007-6304	4				
46007-6305	5				
46007-6306	6				
46007-6308	8				
ASSEMBLY PART NO.	CIRCUITS	DIM. 'P' ± $\frac{0.51}{.020}$	BOARD LOCK	DIM. 'B' ± $\frac{0.10}{.004}$	PACKAGING SPEC.



MATED DIMENSIONS VERTICAL HEADERS

SYMBOLS	THIS DRAWING CONTAINS INFORMATION THAT IS PROPRIETARY TO MOLEX ELECTRONIC TECHNOLOGIES, LLC AND SHOULD NOT BE USED WITHOUT WRITTEN PERMISSION					
	DIMENSION UNITS		SCALE		CURRENT REV DESC: RELEASED	
	IN/MM		2:1			
▽ = 0	GENERAL TOLERANCES (UNLESS SPECIFIED)				EC NO: 623888	
▽ = 0						DRWN: MKIPPER 2019/09/11
▽ = 0	4 PLACES	±	±		CHK'D: DSTEIER 2019/09/13	
▽ = 0	3 PLACES	±	± 0.005		APPR: FSMITH 2019/09/17	
▽ = 0	2 PLACES	± 0.13	± 0.01		INITIAL REVISION:	
▽ = 0	1 PLACE	± 0.25	±		DRWN: MKIPPER 2019/09/11	
▽ = 0	0 PLACES	±	±		APPR: FSMITH 2019/09/17	
▽ = 0	ANGULAR TOL ± 0.5 °				THIRD ANGLE PROJECTION	
▽ = 0	DRAFT WHERE APPLICABLE MUST REMAIN WITHIN DIMENSIONS				DRAWING C-SIZE	
				SERIES	46007	
DOCUMENT STATUS		P1	RELEASE DATE	2019/09/17 14:17:52	MATERIAL NUMBER	
					SEE CHARTS	CUSTOMER
					GENERAL MARKET	SHEET NUMBER
						2 OF 5

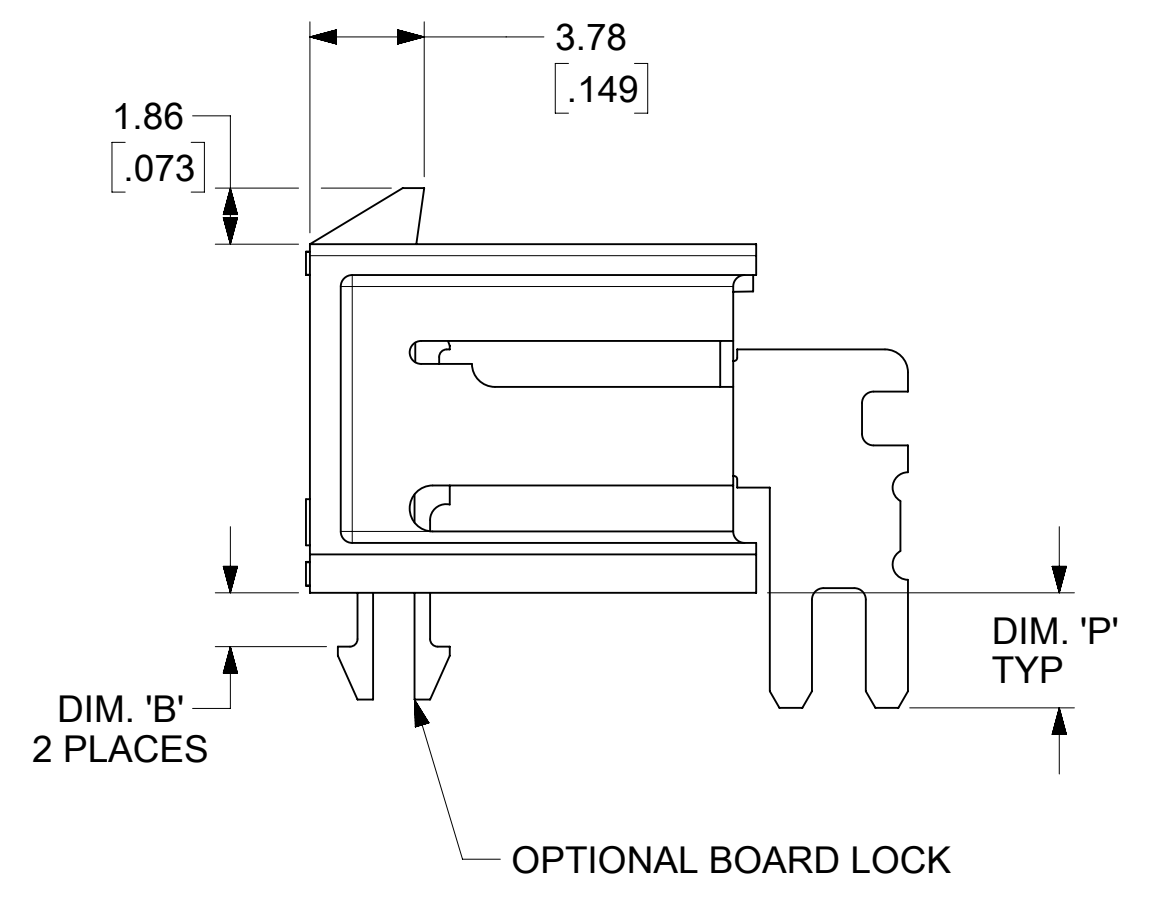
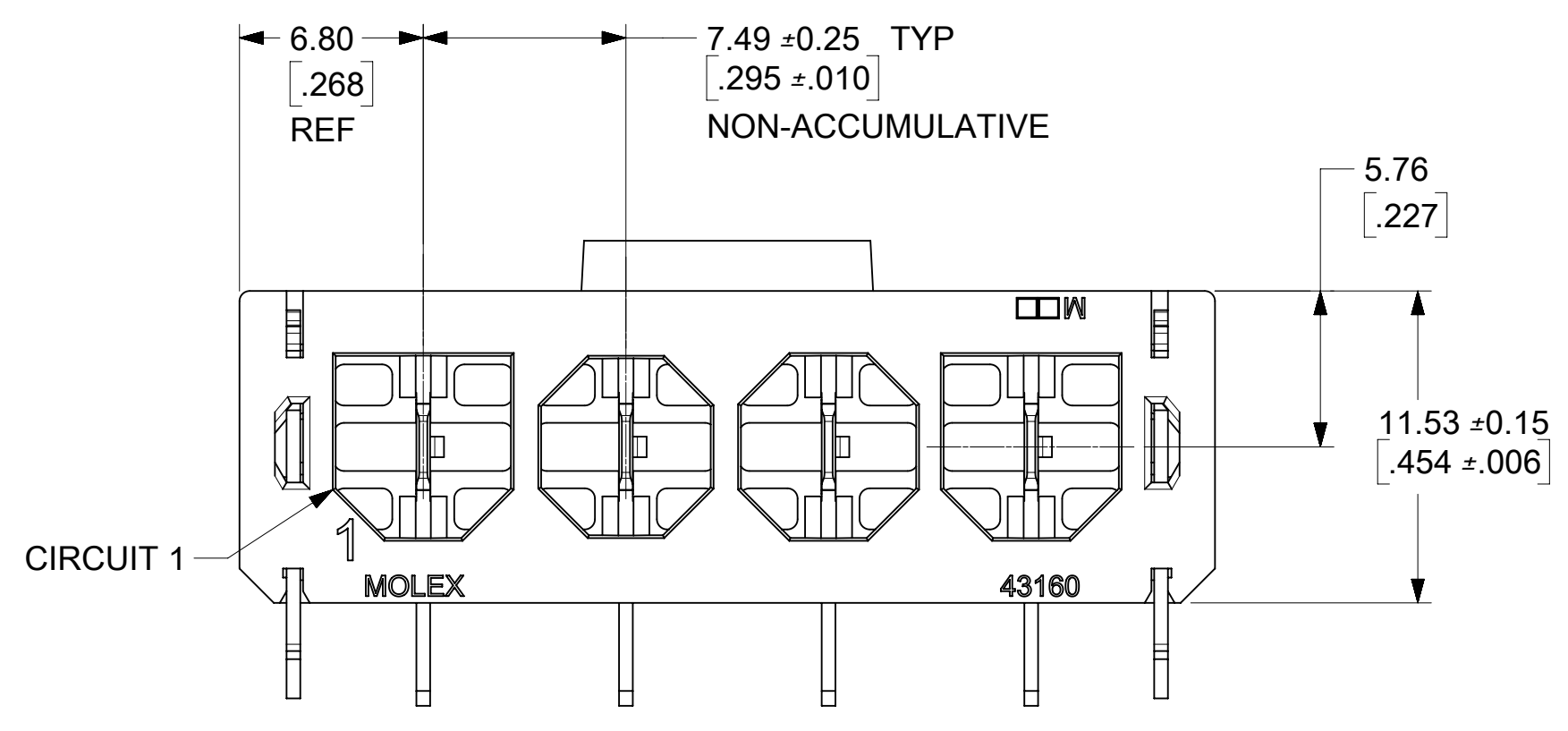
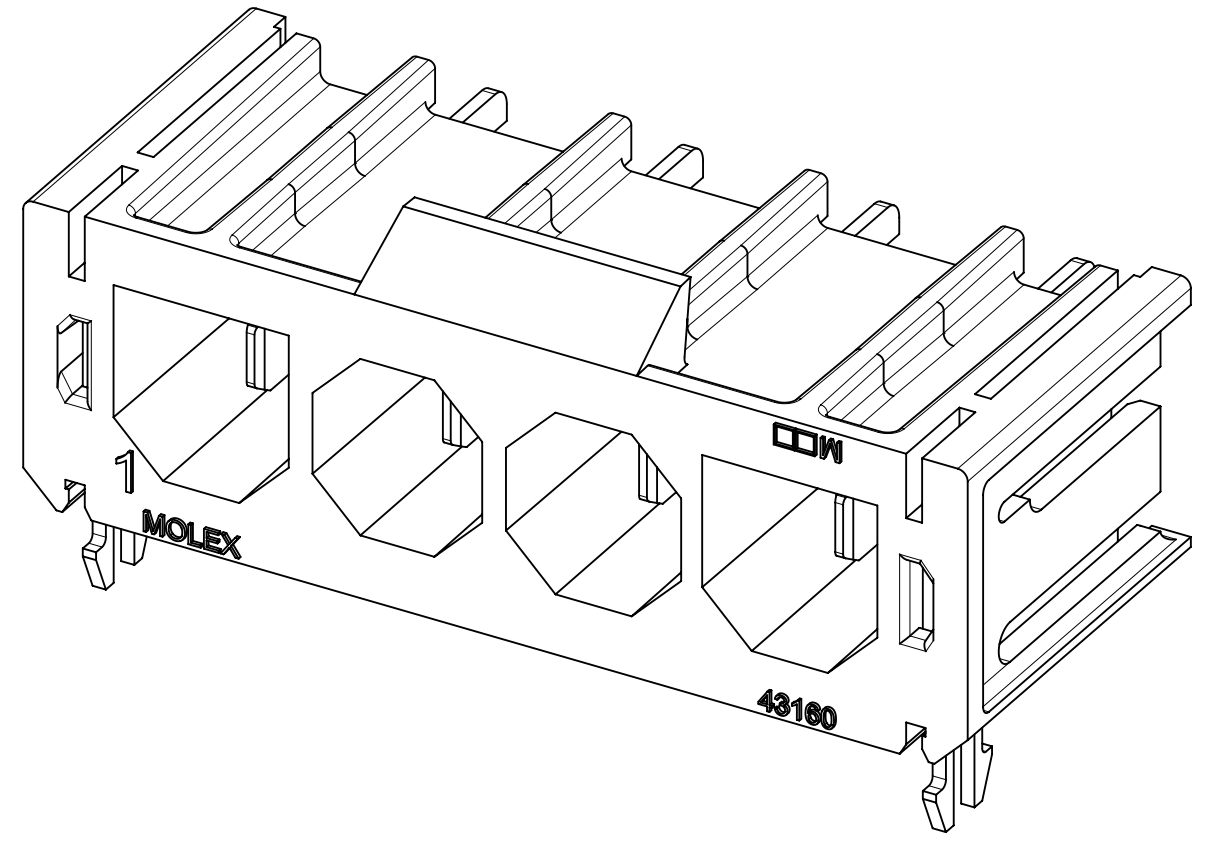
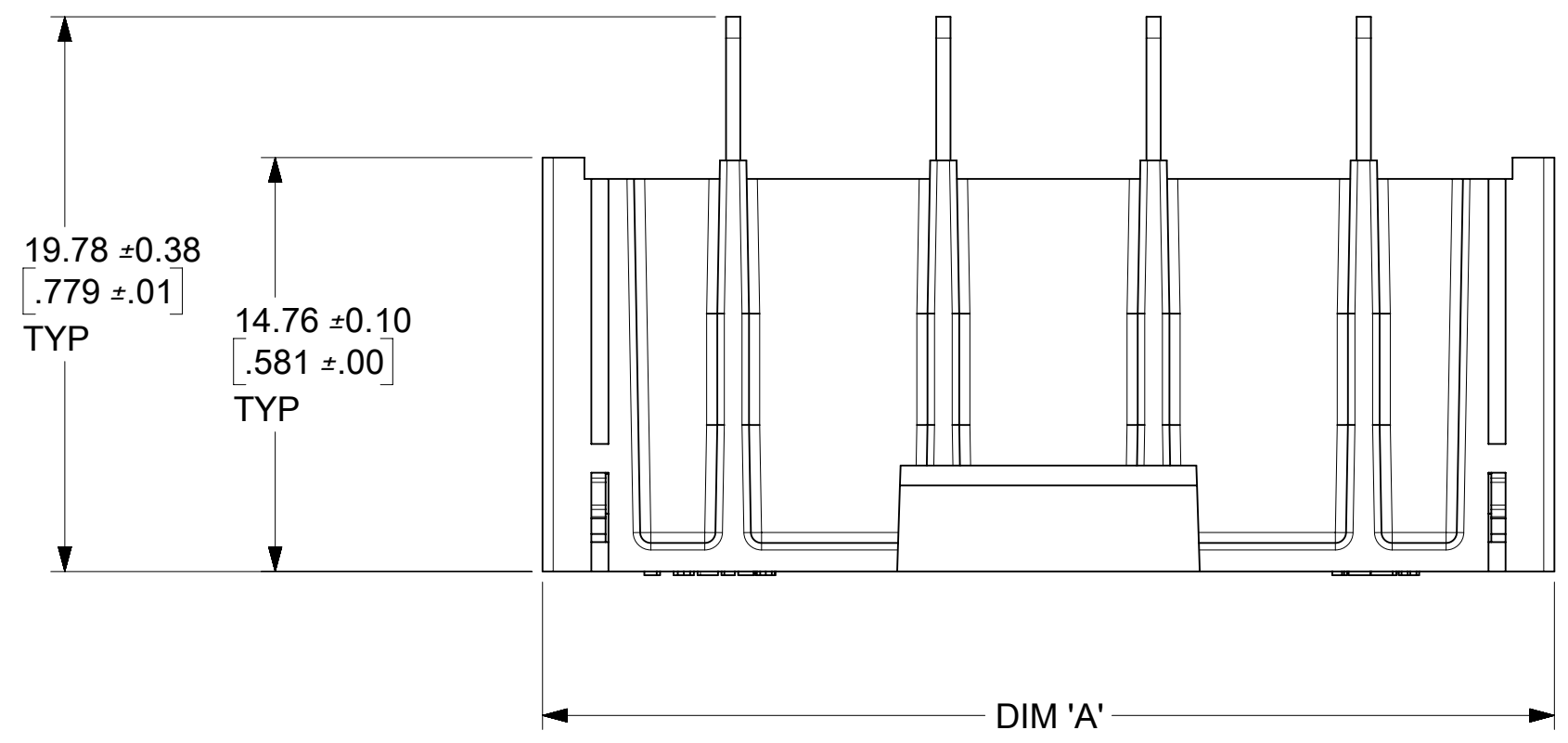
molex

SABRE HEADER ASSEMBLY FINGER PROOF
2-6 & 8 CIRCUIT .125/(3.18) X .020/(0.51)

PRODUCT CUSTOMER DRAWING

DOCUMENT NUMBER: 460070001-SD
DOC TYPE: PSD
DOC PART: 000
REVISION: A

CIRCUITS	DIM. 'A' ±	0.33 .013
2	21.08 .830	
3	28.58 1.125	
4	36.07 1.420	
5	43.56 1.715	
6	51.05 2.010	
8	66.04 2.600	

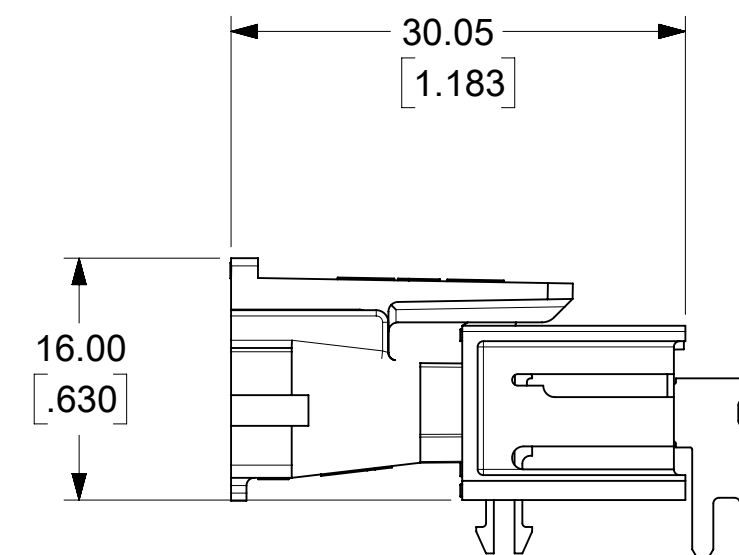
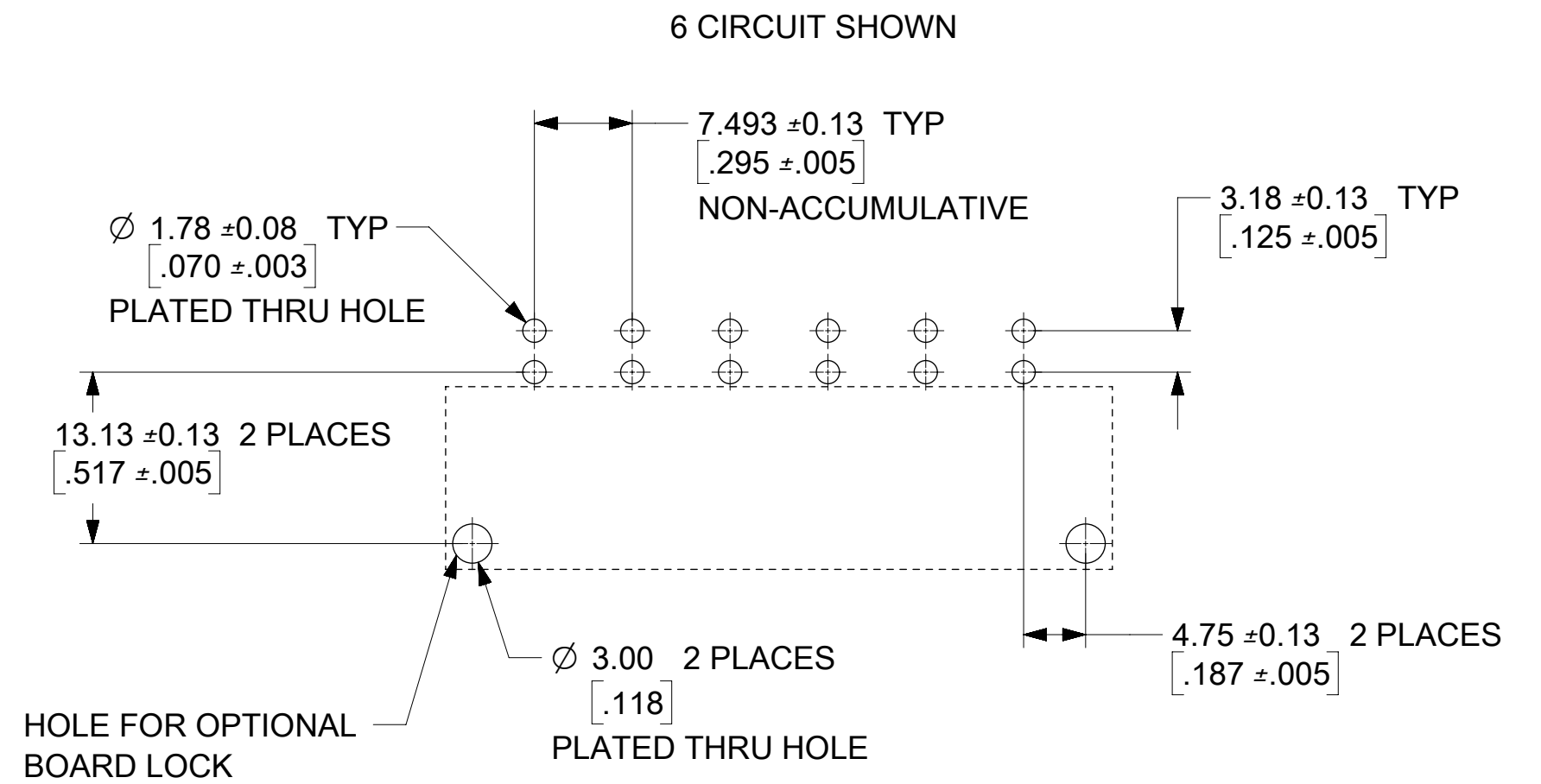


SYMBOLS										THIS DRAWING CONTAINS INFORMATION THAT IS PROPRIETARY TO MOLEX ELECTRONIC TECHNOLOGIES, LLC AND SHOULD NOT BE USED WITHOUT WRITTEN PERMISSION											
∇ = 0	∇ = 0	∇ = 0	∇ = 0	∇ = 0	∇ = 0	∇ = 0	∇ = 0	∇ = 0	∇ = 0	IN/MM	SCALE	CURRENT REV DESC: RELEASED								molex	
∇ = 0	∇ = 0	∇ = 0	∇ = 0	∇ = 0	∇ = 0	∇ = 0	∇ = 0	∇ = 0	∇ = 0	4:1		GENERAL TOLERANCES (UNLESS SPECIFIED)									
∇ = 0	∇ = 0	∇ = 0	∇ = 0	∇ = 0	∇ = 0	∇ = 0	∇ = 0	∇ = 0	∇ = 0	4 PLACES	±	MM	±	INCH	±	±	EC NO: 623888	2019/09/11	PRODUCT CUSTOMER DRAWING		
∇ = 0	∇ = 0	∇ = 0	∇ = 0	∇ = 0	∇ = 0	∇ = 0	∇ = 0	∇ = 0	∇ = 0	3 PLACES	±	±	0.005	0.01	0.01	DRWN: MKIPPER	2019/09/13	DOCUMENT NUMBER		DOC TYPE	DOC PART
∇ = 0	∇ = 0	∇ = 0	∇ = 0	∇ = 0	∇ = 0	∇ = 0	∇ = 0	∇ = 0	∇ = 0	2 PLACES	±	0.13	±	0.01	0.01	APPR: FSMITH	2019/09/17	460070001-SD	PSD	000	A
∇ = 0	∇ = 0	∇ = 0	∇ = 0	∇ = 0	∇ = 0	∇ = 0	∇ = 0	∇ = 0	∇ = 0	1 PLACE	±	0.25	±			INITIAL REVISION:		MATERIAL NUMBER	CUSTOMER	SHEET NUMBER	
∇ = 0	∇ = 0	∇ = 0	∇ = 0	∇ = 0	∇ = 0	∇ = 0	∇ = 0	∇ = 0	∇ = 0	0 PLACES	±		±			DRWN: MKIPPER	2019/09/11	SEE CHARTS	GENERAL MARKET	3 OF 5	
∇ = 0	∇ = 0	∇ = 0	∇ = 0	∇ = 0	∇ = 0	∇ = 0	∇ = 0	∇ = 0	∇ = 0	ANGULAR TOL	±	0.5°				APPR: FSMITH	2019/09/17				
∇ = 0	∇ = 0	∇ = 0	∇ = 0	∇ = 0	∇ = 0	∇ = 0	∇ = 0	∇ = 0	∇ = 0	DRAFT WHERE APPLICABLE MUST REMAIN WITHIN DIMENSIONS						THIRD ANGLE PROJECTION	DRAWING	SERIES			
∇ = 0	∇ = 0	∇ = 0	∇ = 0	∇ = 0	∇ = 0	∇ = 0	∇ = 0	∇ = 0	∇ = 0									C-SIZE	46007		

DOCUMENT STATUS	P1	RELEASE DATE	2019/09/17	14:17:52
-----------------	----	--------------	------------	----------

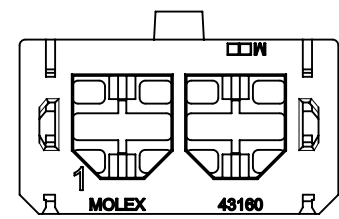
RIGHT ANGLE HEADER ASSEMBLIES					
ASSEMBLY PART NO.	CIRCUITS	DIM. 'P' ± $\frac{0.28}{.011}$	BOARD LOCK	DIM. 'B' ± $\frac{0.10}{.004}$	PACKAGING SPEC.
46007-1102	2	3.81/(.150) (SHORT TAIL)	NO	N/A	PK-43160-0010
46007-1103	3				
46007-1104	4				
46007-1105	5				
46007-1106	6				
46007-1108	8				
46007-1302	2	5.33/(.210) (LONG TAIL)	NO	N/A	PK-43789-001
46007-1303	3				
46007-1304	4				
46007-1305	5				
46007-1306	6				
46007-1308	8				
46007-3102	2	3.81/(.150) (SHORT TAIL)	YES	1.78/(.070) FOR 1.57/(.062) PCB	PK-43789-001
46007-3103	3				
46007-3104	4				
46007-3105	5				
46007-3106	6				
46007-3108	8				
46007-5102	2	3.81/(.150) (SHORT TAIL)	YES	2.59/(.102) FOR 2.39/(.094) PCB	PK-43789-001
46007-5103	3				
46007-5104	4				
46007-5105	5				
46007-5106	6				
46007-5108	8				
46007-5302	2	5.33/(.210) (LONG TAIL)	YES	2.59/(.102) FOR 2.39/(.094) PCB	PK-43789-001
46007-5303	3				
46007-5304	4				
46007-5305	5				
46007-5306	6				
46007-5308	8				
46007-7302	2	5.33/(.210) (LONG TAIL)	YES	3.38/(.133) FOR 3.18/(.125) PCB	PK-43789-001
46007-7303	3				
46007-7304	4				
46007-7305	5				
46007-7306	6				
46007-7308	8				
ASSEMBLY PART NO.	CIRCUITS	DIM. 'P' ± $\frac{0.28}{.011}$	BOARD LOCK	DIM. 'B' ± $\frac{0.10}{.004}$	PACKAGING SPEC.

RECOMMENDED P.C. BOARD LAYOUT FOR RIGHT ANGLE HEADERS

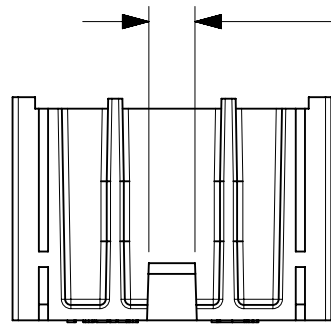


MATED DIMENSIONS RIGHT ANGLE HEADERS

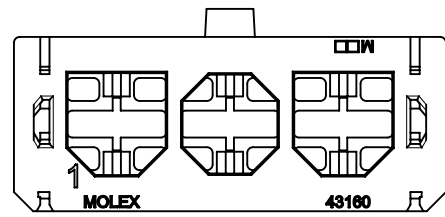
SYMBOLS	THIS DRAWING CONTAINS INFORMATION THAT IS PROPRIETARY TO MOLEX ELECTRONIC TECHNOLOGIES, LLC AND SHOULD NOT BE USED WITHOUT WRITTEN PERMISSION			
	DIMENSION UNITS	SCALE	CURRENT REV DESC: RELEASED	
$\nabla = 0$	IN/MM	2:1	molex SABRE HEADER ASSEMBLY FINGER PROOF 2-6 & 8 CIRCUIT .125/(3.18) X .020/(0.51)	
$\nabla = 0$	GENERAL TOLERANCES (UNLESS SPECIFIED)			
$\nabla = 0$		MM	INCH	EC NO: 623888
$\nabla = 0$	4 PLACES	±	±	DRWN: MKIPPER 2019/09/11
$\nabla = 0$	3 PLACES	±	± 0.005	CHK'D: DSTEIER 2019/09/13
$\nabla = 0$	2 PLACES	± 0.13	± 0.01	APPR: FSMITH 2019/09/17
$\nabla = 0$	1 PLACE	± 0.25	±	INITIAL REVISION:
$\nabla = 0$	0 PLACES	±	±	DRWN: MKIPPER 2019/09/11
$\nabla = 0$	ANGULAR TOL	± 0.5°		APPR: FSMITH 2019/09/17
$\nabla = 0$	DRAFT WHERE APPLICABLE MUST REMAIN WITHIN DIMENSIONS			THIRD ANGLE PROJECTION
				DRAWING SERIES
				C-SIZE 46007
				DOCUMENT NUMBER
				460070001-SD
				DOC TYPE DOC PART REVISION
				PSD 000 A
				MATERIAL NUMBER CUSTOMER SHEET NUMBER
				SEE CHARTS GENERAL MARKET 4 OF 5



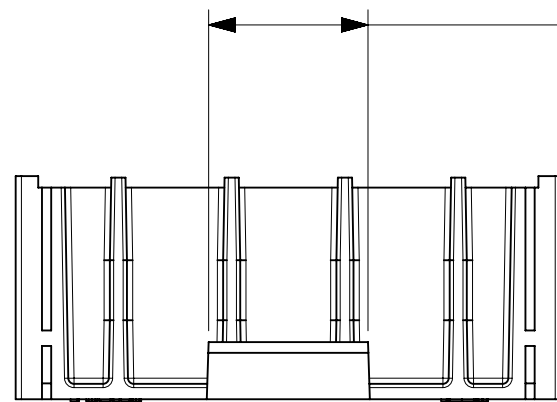
2 CIRCUITS



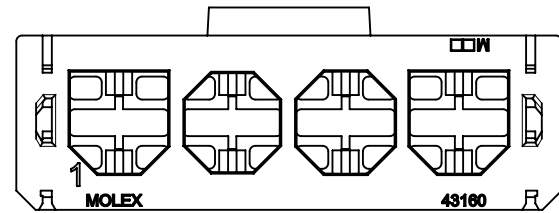
3.05
 .120
 2 AND 3 CIRCUIT



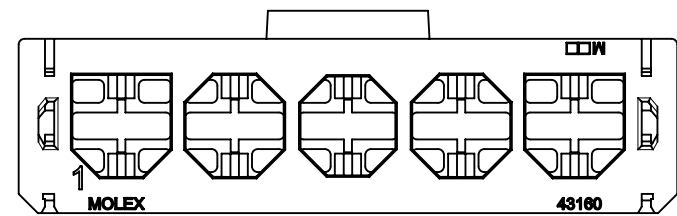
3 CIRCUITS



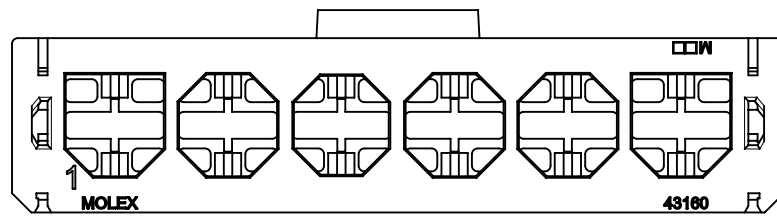
10.54
 .415
 4 CIRCUIT AND UP



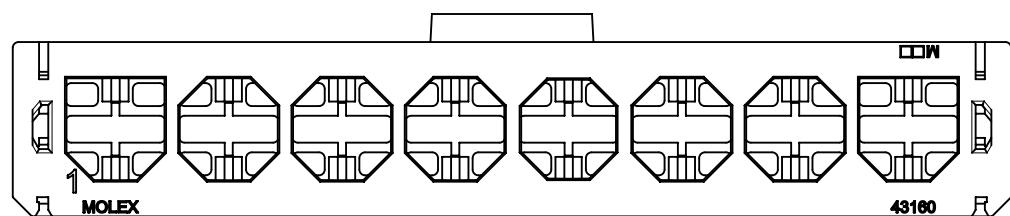
4 CIRCUITS



5 CIRCUITS



6 CIRCUITS



8 CIRCUITS

POLARIZATION

SYMBOLS	THIS DRAWING CONTAINS INFORMATION THAT IS PROPRIETARY TO MOLEX ELECTRONIC TECHNOLOGIES, LLC AND SHOULD NOT BE USED WITHOUT WRITTEN PERMISSION				
	DIMENSION UNITS	SCALE		CURRENT REV DESC: RELEASED	
▽ = 0	MM/INCH	2:1			
▽ = 0	GENERAL TOLERANCES (UNLESS SPECIFIED)				
▽ = 0		MM	INCH		
▽ = 0	4 PLACES	±	±	EC NO: 623888	
▽ = 0	3 PLACES	±	± 0.005	DRWN: MKIPPER	2019/09/11
▽ = 0	2 PLACES	± 0.13	± 0.01	CHK'D: DSTEIER	2019/09/13
▽ = 0	1 PLACE	± 0.25	±	APPR: FSMITH	2019/09/17
▽ = 0	0 PLACES	±	±	INITIAL REVISION:	
▽ = 0	ANGULAR TOL	± 0.5 °		DRWN: MKIPPER	2019/09/11
▽ = 0	DRAFT WHERE APPLICABLE MUST REMAIN WITHIN DIMENSIONS		THIRD ANGLE PROJECTION	APPR: FSMITH	2019/09/17
▽ = 0			DRAWING	SERIES	
			C-SIZE	46007	
DOCUMENT STATUS		P1	RELEASE DATE	2019/09/17	14:17:52

molex

SABRE HEADER ASSEMBLY FINGER PROOF
 2-6 & 8 CIRCUIT .125/(3.18) X .020/(0.51)

PRODUCT CUSTOMER DRAWING

DOCUMENT NUMBER | DOC TYPE | DOC PART | REVISION

460070001-SD | PSD | 000 | A

MATERIAL NUMBER | CUSTOMER | SHEET NUMBER

SEE CHARTS | GENERAL MARKET | 5 OF 5