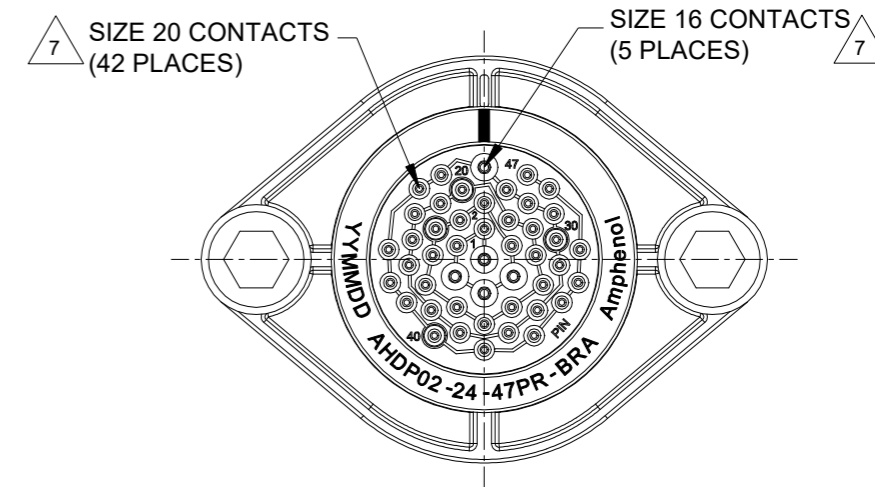
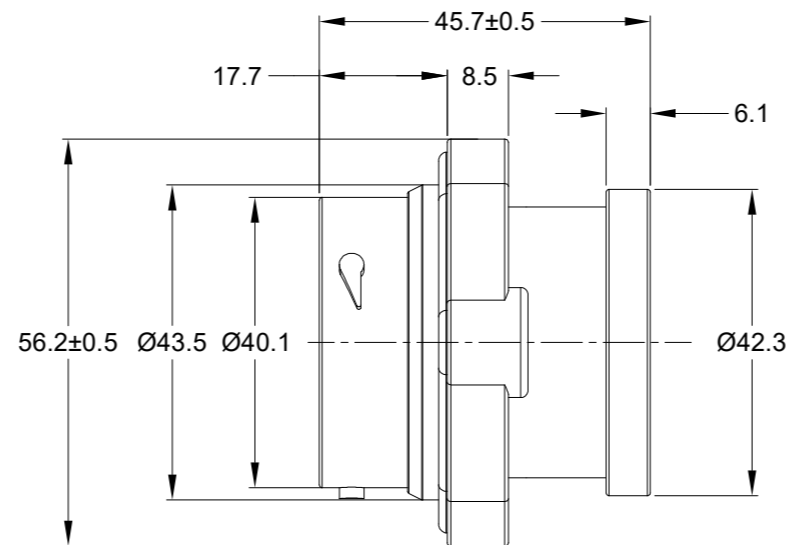
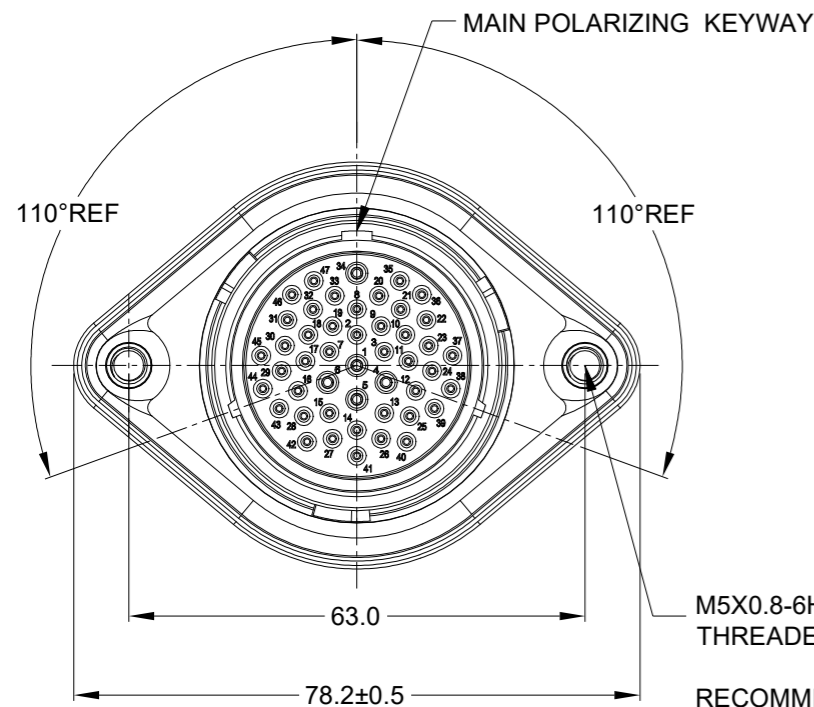
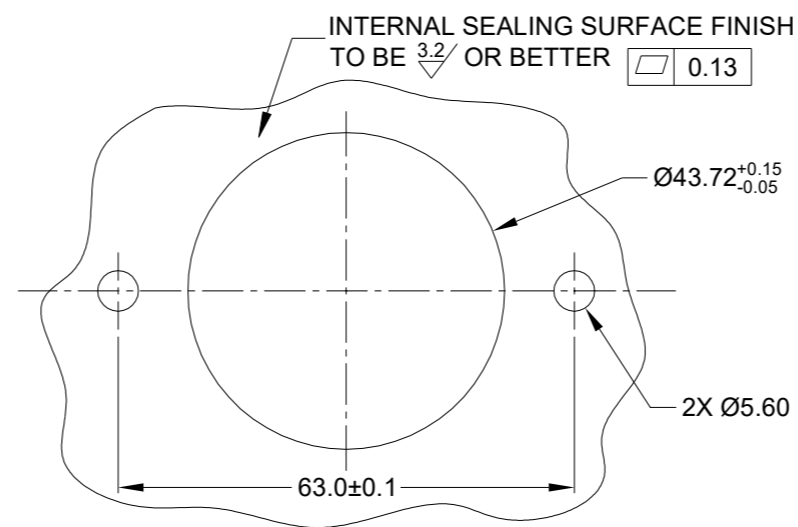


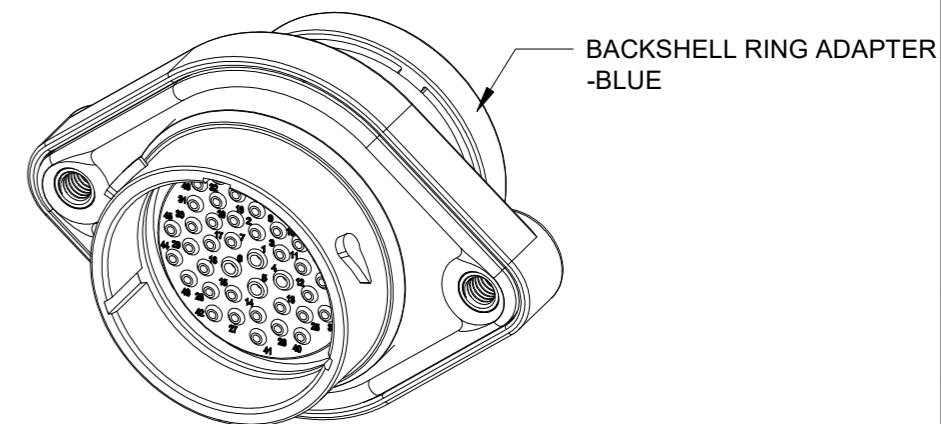
| REVISIONS |     |                     |           |     |       |
|-----------|-----|---------------------|-----------|-----|-------|
| REV       | ECO | DESCRIPTION         | DATE      | BY  | APPR  |
| A1        | -   | RELEASE NEW DRAWING | 01/APR/22 | IAN | TOMMY |



M5X0.8-6H 8mm(2X) DEEP  
THREADED INSERT  
  
RECOMMENDED TORQUE  
VALUES: 1.9-2.2 N.m



INTERNAL SEALING SURFACE FINISH  
TO BE 3.2/ OR BETTER  $\square$  0.13  
  
RECOMMENDED PANEL  
MOUNTING HOLE  
  
RECOMMENDED PANEL  
THICKNESS: 1.6 TO 4.7MM



NOTES: UNLESS OTHERWISE SPECIFIED

- MATERIAL:  
HOUSING: THERMOPLASTIC; BLACK  
SEAL: SILICONE RUBBER  
THREADED INSERT: STAINLESS STEEL
- MODIFICATIONS: BACKSHELL RING ADAPTER (BRA);  
REDUCED DIA. WIRE SEAL;  
SEALED PANEL MOUNT
- SPECIFICATIONS:  
3.1 OPERATING TEMPERATURE: -55°C TO +125°C.  
3.2 DIELECTRIC WITHSTANDING VOLTAGE: LESS THAN 2  
MILLIAMPS CURRENT LEAKAGE @ 1500 VOLTS AC.  
3.3 INSULATION RESISTANCE: 1000 MEGOHM MIN @ 25°C.  
3.4 MOISTURE RESISTANCE:  
IP68(IM OF WATER FOR A PERIOD OF 24 HOURS, MATED  
CONDITION);  
IP69K(MATED CONDITION)  
3.5 MATING CYCLE DURABILITY: 100 CYCLES  
3.6 RoHS COMPLIANT
- MATING PART: AHDP06-24-47S\* (\* = SEAL TYPE)
- ALL DIMENSIONS ARE FOR REFERENCE USE ONLY.
- RECEPTACLE IS SUPPLIED WITH DUST CAP (NOT SHOW)

$\triangle$  CONTACT SIZE AND WIRE RANGE:

| CONTACT SIZE | MIN. INSUL O.D.   | MAX. INSUL O.D.   | TYPICAL WIRE RANGE                   | CURRENT RATING |
|--------------|-------------------|-------------------|--------------------------------------|----------------|
| 20           | 1.02 mm (.040 in) | 2.10 mm (.083 in) | 16-22 AWG (1.5-0.35mm <sup>2</sup> ) | 7.5 AMPS       |
| 16           | 1.35 mm (.053in)  | 2.62 mm (.103 in) | 14-20 AWG (2.0-0.5mm <sup>2</sup> )  | 13 AMPS        |

| QUANTITY | AHDP02-24-47PR-BRA | DESCRIPTION | ITEM |
|----------|--------------------|-------------|------|
|          |                    |             |      |

| SIGNATURES |              |  | DATE      |
|------------|--------------|--|-----------|
| DRAWN:     | IAN.XIAO     |  | 01/APR/22 |
| CHECKED:   | SULLEN.ZAHNG |  | 02/APR/22 |
| ENGINEER:  |              |  |           |
| APPROVAL:  | TOMMY.XIE    |  | 06/APR/22 |

| MATERIALS LIST   |  |  |  |
|--|--|--|--|
| <p>UNLESS OTHERWISE SPECIFIED<br/>1) All dimensions are in metric(mm).<br/>2) Tolerances are as follows:<br/>1 PL DEC ±0.30 Fractions ±1/64<br/>2 PL DEC ±0.15 Angles ±1°<br/>3 PL DEC ±0.08</p> <p>3) Note reference = <math>\triangle</math></p> |  |  |  |
| MATERIAL SPECIFICATIONS:   |  | CUSTOMER:  |  |
| WEIGHT: 63.6g  |  | THIS DRAWING IS SUPPLIED FOR INFORMATION ONLY. DESIGN FEATURES, SPECIFICATIONS AND PERFORMANCE DATA SHOWN HEREON ARE THE PROPERTY OF THE AMPHENOL CORPORATION. NO RIGHTS OF REPRODUCTION ARE IMPLIED. ALL DIMENSIONS ARE SUBJECT TO NORMAL MANUFACTURING VARIATIONS. |  |
| PROCESS SPECIFICATIONS:  |  | NEXT ASSY:   |  |

|  |      |  |              |
|--|------|--|--------------|
| Sine Systems - www.amphenol-sine.com<br>44724 Morley Drive<br>Clinton Township, MI 48036 |      | 47POS,RECEPTACLE,PIN,24SZ,<br>RD SEAL,BRA,PANELMATE AHDP |              |
| SIZE   | TYPE | DWG NO.  | REVISION     |
| B  | C-   | AHDP02-24-47PR-BRA                                       | A1           |
| SCALE:   | NONE | DURAMATE   | SHEET 1 OF 1 |

TITLE: 47POS,RECEPTACLE,PIN,24SZ,RD SEAL,BRA,PANELMATE AHDP  
DWG NO: AHDP02-24-47PR-BRA  
REV: A1  
SH: 1  
OF: 1