

## MSTB 2,5/ 4-GF-5,08 THT


Order No.: 1927580

The illustration shows an 8-position version

<http://eshop.phoenixcontact.de/phoenix/treeViewClick.do?UID=1927580>

Header, Nominal current: 12 A, Rated voltage (III/2): 320 V,  
Number of positions: 4, Pitch: 5.08 mm, Color: black, Metal surface:  
Sn, Assembly: SMD/THT/THR, User information and design  
recommendations on through hole reflow technology can be found at:  
<http://www.combicon.com>

### Commercial data

|                          |  |
|--------------------------|--|
| GTIN (EAN)               | <br>4 017918 821555 |
| sales group              | E172   |
| Pack                     | 50 pcs.  |
| Customs tariff           | 85366990   |
| Catalog page information | Page 147 (CC-2002)   |

### Product notes

WEEE/RoHS-compliant since:  
01/01/2003

<http://www.download.phoenixcontact.com>  
Please note that the data given here has been taken from the online catalog. For comprehensive information and data, please refer to the user documentation. The General Terms and Conditions of Use apply to Internet downloads.

### Technical data

#### Dimensions / positions

|                     |          |
|---------------------|----------|
| Length              | 12 mm    |
| Pitch               | 5.08 mm  |
| Dimension a         | 15.24 mm |
| Number of positions | 4        |
| Pin dimensions      | 1 x 1 mm |
| Hole diameter       | 1.4 mm   |

#### Technical data

|                                     |                     |
|-------------------------------------|---------------------|
| Range of articles                   | MSTB 2,5/...-GF-THT |
| Insulating material group           | IIIa                |
| Rated surge voltage (III/3)         | 4 kV                |
| Rated surge voltage (III/2)         | 4 kV                |
| Rated surge voltage (II/2)          | 4 kV                |
| Rated voltage (III/2)               | 320 V               |
| Rated voltage (II/2)                | 400 V               |
| Connection in acc. with standard    | EN-VDE              |
| Nominal current $I_N$               | 12 A                |
| Nominal voltage $U_N$               | 250 V               |
| Maximum load current                | 12 A                |
| Insulating material                 | PA                  |
| Inflammability class acc. to UL 94  | V0                  |
| Nominal voltage, UL/CUL Use Group B | 250 V               |
| Nominal current, UL/CUL Use Group B | 12 A                |
| Nominal voltage, UL/CUL Use Group D | 300 V               |
| Nominal current, UL/CUL Use Group D | 10 A                |

#### Certificates / Approvals

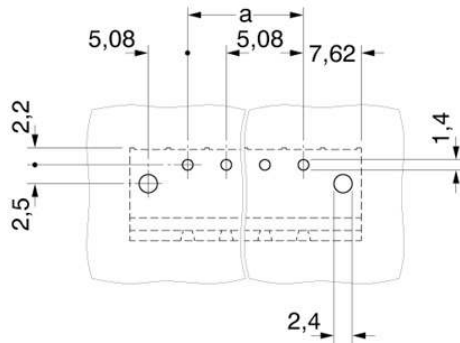


Certification

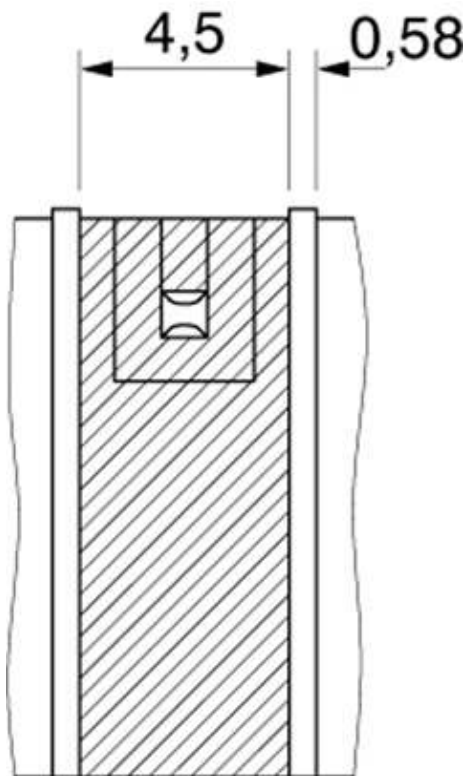
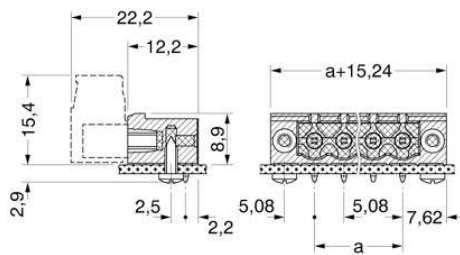
CB, CUL, GOST, UL, VDE-PZI

### Diagrams/Drawings

Drilling plan/solder pad geometry



Dimensioned drawing



**Address**

PHOENIX CONTACT Deutschland GmbH  
Flachmarktstr. 8  
32825 Blomberg, Germany  
Phone +49 5235 3 12000  
Fax +49 5235 3 41200  
<http://www.phoenixcontact.de>



© 2010 Phoenix Contact  
Technical modifications reserved;