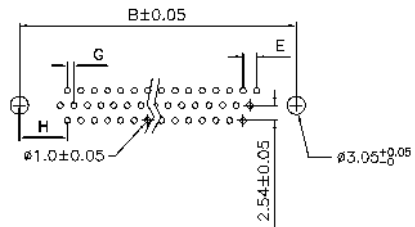
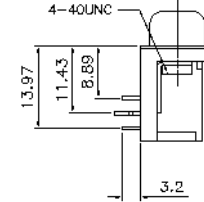
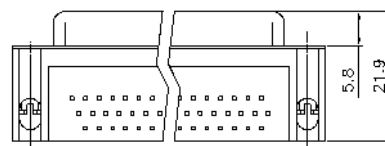
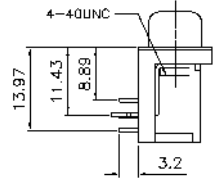
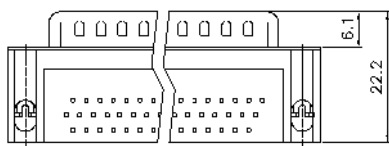
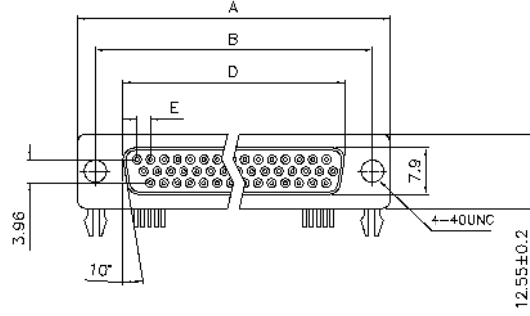
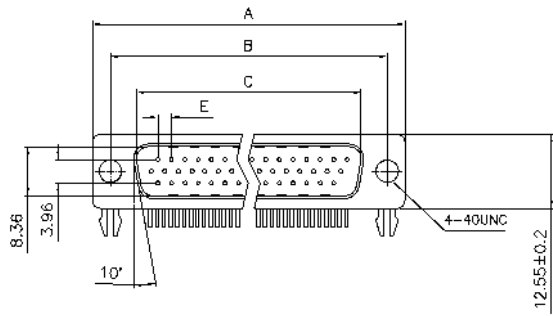


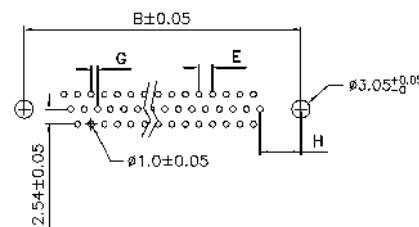
REV.	SPECIFICATION	ECN NO.	APPD.

Male

Female

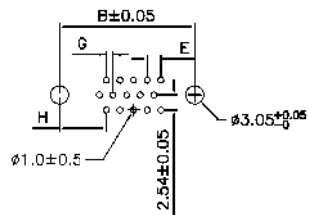


26, 44, 62 Postions



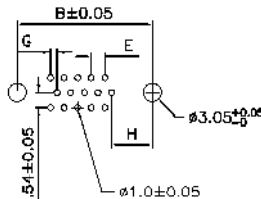
26, 44, 62 Postions

7916-A **xx** **x** **B** **A**
 Series Positions M:Male B: With Grounding Forks and A: Tray Package
 F:Female with Riveted Threaded Inserts.



15 Postions

P.C. Board Layout



15 Postions P.C. Board Layout

Positions	Dimension						
	A	B	C	D	E	G	H
15	30.81	24.99	16.92	16.33	2.29	1.145	7.04
26	39.20	33.30	25.25	24.70	2.29	1.145	6.88
44	53.05	47.04	38.96	38.40	2.29	1.145	6.88
62	69.40	63.50	55.42	54.80	2.41	1.205	7.00

Tolerances	Dwg. No.	7916D03019	Title:	7916-A Series
x. = ±0.38	Projection		H.D.D-SUB	Right Angle Type
.x = ±0.25	Unit	mm	Scale	1:1
.xx = ±0.13	Drawn By	Jerry 05/13'20	①747	

DUPIIN			
DUPIIN ELECTRONIC(KUNSHAN) CO., LTD.			
P/N: 7916-AxxMBA&7916-AxxFBA			
SHEET	1/1	Ver.No.	A1